

## Klippon TB MH (Terminal Box - Multi Hinge) KTB MH 453820 S4E3

**Weidmüller Interface GmbH & Co. KG**  
Klingenbergstraße 16  
D-32758 Detmold  
Germany  
Fon: +49 5231 14-0  
Fax: +49 5231 14-292083  
www.weidmueller.com

### Product image



Abbildung ähnlich

### Stainless steel enclosures for use in areas exposed to explosion hazards

The Klippon® TB enclosure range provides excellent performance characteristics, even under the most difficult environmental conditions. In addition, it complies with the stricter requirements of potentially explosive atmospheres found specifically in the process or power generation industries. The new Klippon® TB MH enclosure range offers further improvements to a product line that is already successfully leading the market..The Klippon® TB MH enclosure range has the following advantages:

- Available in 12 sizes and 3 standard depths
- Equipped with up to 4 gland plates
- The gasket is protected against compression
- Completely removable padlock tab
- Cover lock outside the sealed zone
- Improved temperature performance
- IP66/IP67 protection
- Completely removable lid – without a tool
- Earthing stud in the cover and base of the enclosure
- Welded mounting feet
- International approvals

### General ordering data

Type	KTB MH 453820 S4E3
Order No.	<a href="#">1195080000</a>
Version	Klippon TB MH (Terminal Box - Multi Hinge), Empty enclosure, stainless steel enclosure, Height: 458 mm, Width: 382 mm, Depth: 200 mm, Gland plates: Bottom, left, right, Material: Stainless steel 1.4404 (316L), electropolished, silver
GTIN (EAN)	4032248977574
Qty.	1 pc(s).

**Klippon TB MH (Terminal Box - Multi Hinge)  
KTB MH 453820 S4E3**

**Weidmüller Interface GmbH & Co. KG**  
 Klingenbergstraße 16  
 D-32758 Detmold  
 Germany  
 Fon: +49 5231 14-0  
 Fax: +49 5231 14-292083  
 www.weidmueller.com

**Technical data****Dimensions and weights**

Width	382 mm	Width (inches)	15.039 inch
Height	458 mm	Height (inches)	18.031 inch
Depth	200 mm	Depth (inches)	7.874 inch
Mounting dimension - width	438 mm	Mounting dimension - height	305 mm
Net weight	12,500 g		

**Cable glands, left**

M12	55	M16	38
M20	24	M25	21
M32	11	M40	9
M50	4	M63	3
M75	3		

**Cable glands, right**

M12	55	M16	38
M20	24	M25	21
M32	11	M40	9
M50	4	M63	3
M75	3		

**Cable glands, top/bottom**

M12	50	M16	34
M20	23	M25	18
M32	10	M40	8
M50	4	M63	3
M75	2		

**Certificate numbers enclosure**

Certificate no. assembled enclosure (ATEX)	IBExU14ATEX1050	Certificate no. empty enclosure (ATEX)	IBExU14ATEX1028 U
Certificate no. assembled enclosure (IECEX)	IECEX IBE 14.0013	Certificate no. empty enclosure (IECEX)	IECEX IBE 14.0004U
Certificate no., assembled enclosure (EAC)	RU C-DE.ГБ08.B.01328	Certificate no., empty enclosure (EAC)	RU C-DE.ГБ08.B.00472
Certificate no. assembled enclosure (INMETRO)	IEEx 17.0021	Certificate no. empty enclosure (INMETRO)	IEEx 17.0020U
Certificate no. assembled enclosure (AEx)	E223792	Certificate no. empty enclosure (NEPSI)	GYJ14.1308U
Certificate no. assembled enclosure (NEPSI)	GYJ14.1309	Certificate no., assembled enclosure (KOSHA)	16-AV4BO-0245X
Certificate No. (MARITREG)	15.40073.250	Certificate no. (cULus)	E243298
Certificate No. (CCOE)	CCOEP267536/1		

**Klippon TB MH (Terminal Box - Multi Hinge)  
KTB MH 453820 S4E3**

**Weidmüller Interface GmbH & Co. KG**  
 Klingenbergstraße 16  
 D-32758 Detmold  
 Germany  
 Fon: +49 5231 14-0  
 Fax: +49 5231 14-292083  
 www.weidmueller.com

**Technical data****General information**

AF size 1	10 mm	Access opening: height	405 mm
Access opening: width		Areas of use	Explosive risk zone, Process industry, Oil and gas industry, Chemical industry, Offshore, Onshore
	323 mm	Installation advice	Terminal rail / mounting plate
Gland plates	Bottom, left, right	Material thickness of cover	1.5 mm
Material thickness	1.5 mm	Max. payload	70 kg
Material thickness of flange	3 mm	Overall dimensions	469 x 463 x 215
Opening angle lid	130 °	Standards	DIN EN 62208 - Empty enclosure standard, DIN EN 61373 Class 1B**, DIN EN 15085-2, EN 60079-0, EN 60079-7, EN 60079-31, IEC 60079-0, IEC 60079-7, IEC 60079-31
Position PE bolts		Seal material	Silicone
	Page C	Operating temperature, min.	-60 °C
Material	Stainless steel 1.4404 (316L)	Impact resistance	7 J ATEX version, 10 J version standard
Surface finish	electropolished	Note: protection class	If used in temperature ranges above 105 °C, IP protection is limited to IP 66.
Operating temperature, max.	135 °C	Lid attachment	4 hinges and M6 hex-head slotted screws SW10
Protection degree	IP66, IP67		
Enclosure attachment	4 welded-on mounting feet with 11 mm holes (2 slotted feet and 2 cross- shaped feet)		
Integral fixing	4, 6 or 9 stud bolts M6 inner (female) thread		

**Housing earth**

Earth, enclosure, internal	Welded-on M6 stainless- steel earth stud in enclosure body and lid.
----------------------------	---

**horizontal assembly**

WDU 10 / ZDU 10	2x29	WDU 16 / ZDU 16	2x24
WDU 2,5 / ZDU 2,5 / IDU 2,5	4x58	WDU 35 / ZDU 35	1x18
WDU 4 / ZDU 4	3x48	WDU 6 / ZDU 6	3x36

**vertical assembly**

WDU 10 / ZDU 10	2x37	WDU 16 / ZDU 16	2x31
WDU 2,5 / ZDU 2,5 / IDU 2,5	3x73	WDU 35 / ZDU 35	1x23
WDU 4 / ZDU 4	2x62	WDU 6 / ZDU 6	2x46

**Classifications**

ETIM 6.0	EC002503	eClass 6.2	27-14-91-07
eClass 7.1	27-14-91-07	eClass 8.1	27-14-91-07
eClass 9.0	27-18-05-02	eClass 9.1	27-18-05-02

Creation date April 18, 2019 10:48:22 AM CEST

Catalogue status 12.04.2019 / We reserve the right to make technical changes.

**Klippon TB MH (Terminal Box - Multi Hinge)  
KTB MH 453820 S4E3**

**Weidmüller Interface GmbH & Co. KG**  
 Klingenbergstraße 16  
 D-32758 Detmold  
 Germany  
 Fon: +49 5231 14-0  
 Fax: +49 5231 14-292083  
 www.weidmueller.com

**Technical data****Product information**

Product information \*\*A customised test is required to guarantee application compliance

**Approvals**

Approvals



ROHS Conform

**Downloads**

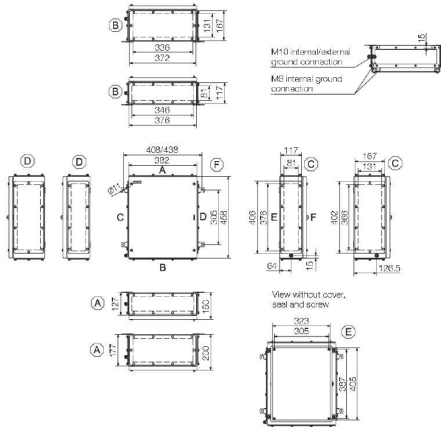
Approval/Certificate/Document of Conformity	<a href="#">Attestation of Conformity - Klippon TB Empty Enclosures - AoC DE PS261X_160309_001ISS01</a> <a href="#">EU Declaration of Conformity - Klippon TB Empty Enclosures - DoC DE PS261X_160412_001ISS01</a>
Brochure/Catalogue	<a href="#">MB OVERV. PROCESS WD DE</a> <a href="#">MB KLIPPON ENCL.TECN EN</a> <a href="#">MB PROCESS EN</a> <a href="#">CAT 5 ENCL 17/18 EN</a> <a href="#">FL WIND 2012 EN</a> <a href="#">FL APPL PROCESS EN</a> <a href="#">FL SHIPBUILDING 2016 EN</a> <a href="#">FL RAILWAY 2014 EN</a> <a href="#">PI KLIPPON TB MH QL EN</a>
Engineering Data	<a href="#">EPLAN, WSCAD</a>
Engineering Data	<a href="#">STEP</a>
Tender specification	<a href="#">Klippon TB MH 453820 S4E3_1195080000_DE</a> <a href="#">Klippon TB MH 453820 S4E3_1195080000_EN</a> <a href="#">Klippon TB MH 453820 S4E3_1195080000_NL</a>
User Documentation	<a href="#">MB KLIPPON ENCL.TECN DE</a> <a href="#">Assembly guidelines - empty enclosures</a>

**Klippon TB MH (Terminal Box - Multi Hinge)  
KTB MH 453820 S4E3**

**Weidmüller Interface GmbH & Co. KG**  
Klingenbergstraße 16  
D-32758 Detmold  
Germany  
Fon: +49 5231 14-0  
Fax: +49 5231 14-292083  
www.weidmueller.com

**Drawings**

**Dimensioned drawing**



## X-ON Electronics

Largest Supplier of Electrical and Electronic Components

*Click to view similar products for [Mounting Fixings](#) category:*

*Click to view products by [Weidmuller](#) manufacturer:*

Other Similar products are found below :

[007310](#) [007541](#) [6-141-P](#) [620HA038NF09](#) [620HA038NF11](#) [71-074914-006](#) [71-146610-6H](#) [712HA170B23128-N](#) [75-69116-8S](#) [75-69211-3P](#)  
[75-69224-28P](#) [75-69224-5S](#) [770-006A109](#) [770-006A109R](#) [770-006A207](#) [770-006A208W1](#) [770-006A209](#) [770-006A306](#) [770-006A703W1](#)  
[770-006A704](#) [770-006A704W1](#) [770-006A705](#) [770-006A706](#) [770-006A706W1](#) [770-006A707](#) [770-006A709](#) [770-007A203](#) [770-007A203W1](#)  
[770-007A204W1](#) [770-007A207W1](#) [770-007A703](#) [770-007A704W1](#) [770-007A706](#) [770-007A707W1](#) [770-010Y208](#) [770-010Y308](#) [770-](#)  
[010Y705](#) [770-010Y706](#) [770-010Y707W1](#) [770-011T201](#) [770-011T203](#) [770-011T701W1](#) [770-011T702](#) [770-011T702W1](#) [770-011T703](#) [770-](#)  
[013311](#) [770-013312](#) [770-013709](#) [770-013711](#) [770-013711W1](#)