

# Small polycarbonate enclosures

The enclosures of the MPC series are made from polycarbonate, which is particularly ideal for electrical, electro-mechanical and pneumatic devices or circuit boards. The enclosures come with extensive accessories for applications in demanding mechanical and chemical environments.

## Features:

- 9 sizes
- Gray or transparent cover
- Cover with sealing holes
- Mounting holes located outside of the sealed area
- Threaded holes for mounting rails, mounting plates and PCBs

Our assembly service can supply these enclosures preassembled with terminals and cable glands according to customer requirements.



## Technical data

Material	Polycarbonate
Cover	Transparent or gray
Surface	Gray, similar to RAL 7035
Gasket	Foamed polyurethane
Cover fixing	4 crosshead screws (polyamide)
Enclosure mounting	4 holes Ø 4.5 or external fixing lugs (accessories)
Equipment mounting	Self-tapping screws
Protection class	IP 66 and IP 67
Temperature range	-50 °C to +130 °C

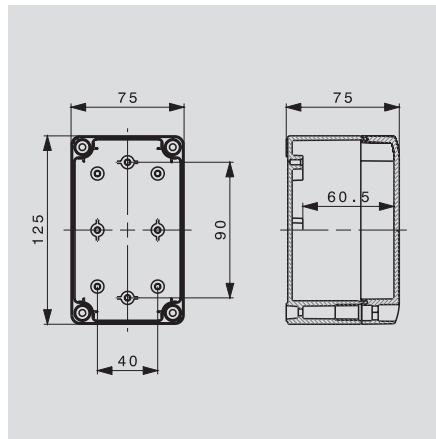
## Overview of enclosures

Type H x W x D	75 x 125 x 75	75 x 125 x 125	125 x 125 x 75	125 x 175 x 75	125 x 175 x 100	125 x 175 x 125
Gray cover	<b>9535170000</b>	<b>9535210000</b>	<b>9535230000</b>	<b>9535290000</b>	<b>9535310000</b>	<b>9535330000</b>
Transparent cover	<b>9535180000</b>	<b>9535220000</b>	<b>9535240000</b>	<b>9535300000</b>	<b>9535320000</b>	<b>9535340000</b>
Type H x W x D	175 x 175 x 75	175 x 175 x 150	175 x 250 x 100			
Gray cover	<b>9535370000</b>	<b>9535430000</b>	<b>9535470000</b>			
Transparent cover	<b>9535380000</b>	<b>9535440000</b>	<b>9535480000</b>			

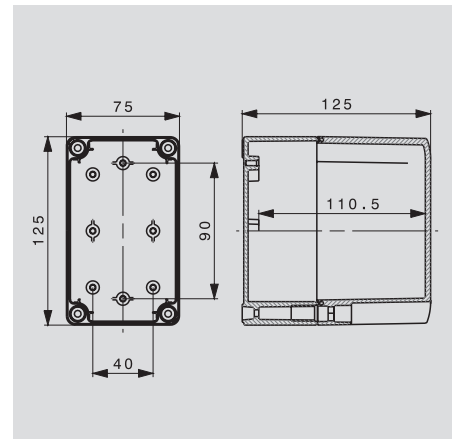
Small polycarbonate enclosure



MPC 07/12/07



MPC 07/12/12



Height x Width x Depth mm (in)

125 x 75 x 75 (4.92 x 2.95 x 2.95)

125 x 75 x 125 (4.92 x 2.95 x 4.92)

Technical data

Dimensions	
Interior depth	mm
Weight	g
Cable entries	
M16	
M20	
M25	

Top / Bottom	Left / Right
1	3
1	3

Top / Bottom	Left / Right
1	3
1	3

Terminal equipment content	
WDU 2,5 / ZDU 2,5	
WDU 4 / ZDU 4	
WDU 6 / ZDU 6	
WDU 10 / ZDU 10	


1x13
1x11
1x8
1x6

Note

Ordering data

Enclosure with gray lid
Enclosure with transparent lid

Type	Order No.
MPC 07/12/07 7035	9535170000
MPC 07/12/07 trsp	9535180000

Type	Order No.
MPC 07/12/12 7035	9535210000
MPC 07/12/12 trsp	9535220000

Note

Accessories

Mounting plate	
1.5 mm sheet steel	zinc-plated

Type	Qty.	Order No.
MP MPC 07/12	10	9535540000

Type	Qty.	Order No.
MP MPC 07/12	10	9535540000

Other accessories	
External fixing lugs	Set of 4 pieces each
Hinges	Set of 2 pieces each

MF MPC	1	9535600000
HG MPC	1	9535590000

MF MPC	1	9535600000
HG MPC	1	9535590000

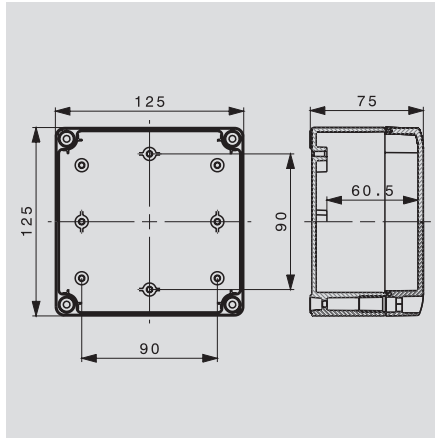
Note

## MPC - Polycarbonate enclosures

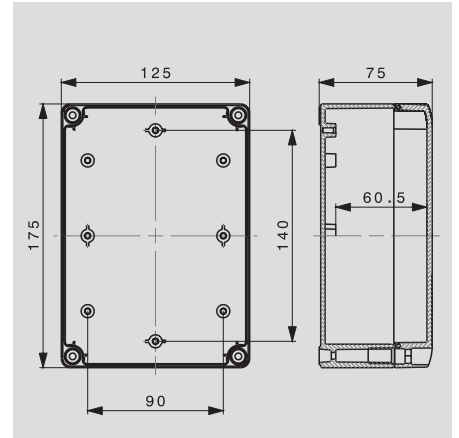
### Small polycarbonate enclosure



#### MPC 12/12/07



#### MPC 12/17/07



Height x Width x Depth mm (in)

125 x 125 x 75 (4.92 x 4.92 x 2.95)

175 x 125 x 75 (6.89 x 4.92 x 2.95)

### Technical data

Dimensions	
Interior depth	mm
Weight	g
Cable entries	
M16	
M20	
M25	

55	
283	
Top / Bottom	Left / Right
3	3
3	3

55	
381	
Top / Bottom	Left / Right
3	4
3	4

Terminal equipment content
WDU 2,5 / ZDU 2,5
WDU 4 / ZDU 4
WDU 6 / ZDU 6
WDU 10 / ZDU 10

Note

### Ordering data

Enclosure with gray lid
Enclosure with transparent lid
Note

Type	Order No.
MPC 12/12/07 7035	9535230000
MPC 12/12/07 trsp	9535240000

Type	Order No.
MPC 12/17/07 7035	9535290000
MPC 12/17/07 trsp	9535300000

### Accessories

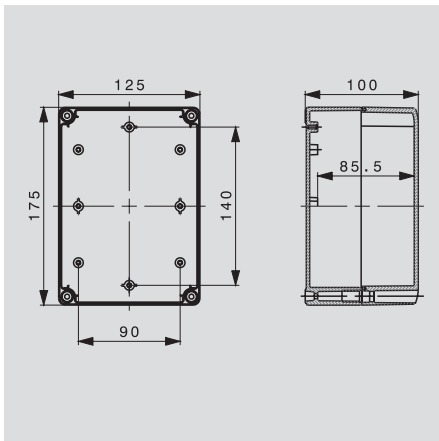
Mounting plate	
1.5 mm sheet steel	zinc-plated
Other accessories	
External fixing lugs	Set of 4 pieces each
Hinges	Set of 2 pieces each

Type	Qty.	Order No.
MP MPC 12/12	10	9535550000
MF MPC	1	9535600000
HG MPC	1	9535590000

Type	Qty.	Order No.
MP MPC 12/17	10	9535600000
MF MPC	1	9535600000
HG MPC	1	9535590000

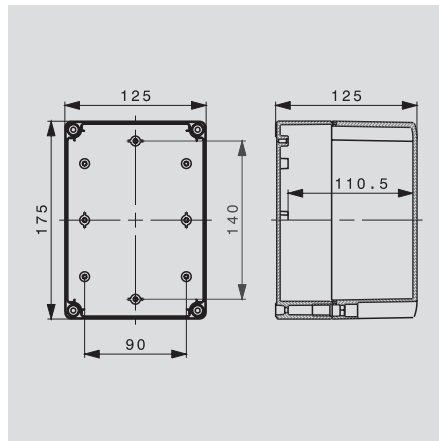
Note

**MPC 12/17/10**



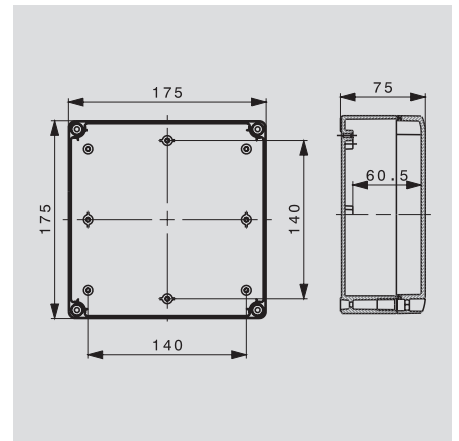
**175 x 125 x 100 (6.89 x 4.92 x 3.94)**

**MPC 12/17/12**



**175 x 125 x 125 (6.89 x 4.92 x 4.92)**

**MPC 17/17/07**



**175 x 175 x 75 (6.89 x 6.89 x 2.95)**

80	
465	
Top / Bottom	Left / Right
3	4
3	4

105	
530	
Top / Bottom	Left / Right
3	4
3	4

55	
461	
Top / Bottom	Left / Right
4	4
4	4

1x22
1x19
1x14
1x11

1x22
1x19
1x14
1x11


Type	Order No.
MPC 12/17/10 7035	9535310000
MPC 12/17/10 trsp	9535320000

Type	Order No.
MPC 12/17/12 7035	9535330000
MPC 12/17/12 trsp	9535340000

Type	Order No.
MPC 17/17/07 7035	9535370000
MPC 17/17/07 trsp	9535380000

Type	Qty.	Order No.
MP MPC 12/17	10	9535560000
MF MPC	1	9535600000
HG MPC	1	9535590000

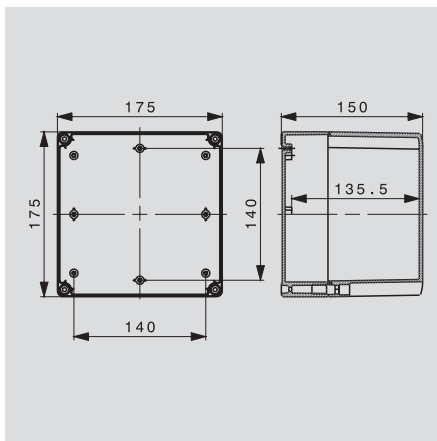
Type	Qty.	Order No.
MP MPC 12/17	10	9535560000
MF MPC	1	9535600000
HG MPC	1	9535590000

Type	Qty.	Order No.
MP MPC 17/17	10	9535570000
MF MPC	1	9535600000
HG MPC	1	9535590000

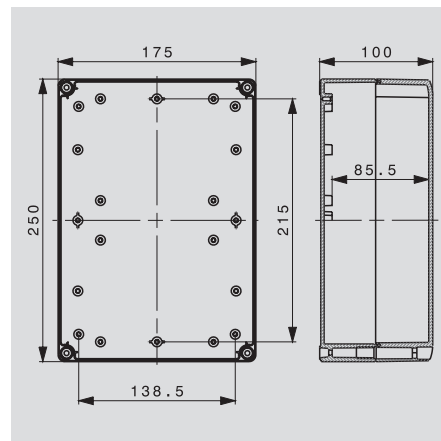
Small polycarbonate enclosure



MPC 17/17/15



MPC 17/25/10



Height x Width x Depth mm (in)

175 x 175 x 150 (6.89 x 6.89 x 5.90)

250 x 175 x 100 (9.84 x 6.89 x 3.94)

Technical data

Dimensions	
Interior depth	mm
Weight	g
Cable entries	
M16	
M20	
M25	

130	
717	
Top / Bottom	Left / Right
4	4
4	4

80	
743	
Top / Bottom	Left / Right
4	7
4	6

Terminal equipment content	
WDU 2,5 / ZDU 2,5	
WDU 4 / ZDU 4	
WDU 6 / ZDU 6	
WDU 10 / ZDU 10	

1x22	
1x19	
1x14	
1x11	

1x37	
1x31	
1x23	
1x19	

Note

Ordering data

Enclosure with gray lid	
Enclosure with transparent lid	

Type	Order No.
MPC 17/17/15 7035	9535430000
MPC 17/17/15 trsp	9535440000

Type	Order No.
MPC 17/25/10 7035	9535470000
MPC 17/25/10 trsp	9535480000

Note

Accessories

Mounting plate	
1.5 mm sheet steel	zinc-plated

Type	Qty.	Order No.
MP MPC 17/17	10	9535570000

Type	Qty.	Order No.
MP MPC 17/25	10	9535580000

Other accessories	
External fixing lugs	Set of 4 pieces each
Hinges	Set of 2 pieces each

MF MPC	1	9535600000
HG MPC	1	9535590000

MF MPC	1	9535600000
HG MPC	1	9535590000

Note

## X-ON Electronics

Largest Supplier of Electrical and Electronic Components

*Click to view similar products for [Enclosures, Boxes, & Cases](#) category:*

*Click to view products by [Weidmuller](#) manufacturer:*

Other Similar products are found below :

[CR-425 PAINTED](#) [585-R-WH-PK](#) [M-10-PLATED](#) [60221-01](#) [60566-01-000](#) [HPL-9VB BATT DOOR](#) [M-16-LID-PLATED](#) [M18-PLTD](#) [M-21-LID-PLATED](#) [M-21-PLATED](#) [M-23-PLATED](#) [CU-281-MB](#) [6711GSKT](#) [71884-29-028](#) [LH45-100 Black](#) [7200B](#) [72868-510-000](#) [CNS-0000 Black](#) [72883-510-000](#) [CNS-0101 Black](#) [72906-510-000](#) [CNS-0407 Black](#) [73091-510-000](#) [CNM-0000-BLACK Kit](#) [73092-510-000](#) [CNM-0101 Black](#) [73108-510-000](#) [CNL-0303 Black](#) [73395-510-039](#) [CNS-0006 Bone](#) [74257-510-000](#) [CNL-0004](#) [MDC-1183-PLAIN-ALUM](#) [MDC-1183-PTD](#) [MDC-13104-PLAIN-ALUM](#) [MDC-211 - PAINTED IVORY/BEIGE](#) [MDC-321-PTD](#) [MDC-432-PLAIN-ALUM](#) [MDC-973-PTD](#) [76](#) [77153-01-028](#) [FLX6030](#) [83535-01-508](#) [PS-11296-G](#) [PS-11298-B](#) [116-508](#) [120-407](#) [120-412](#) [120-909](#) [120-455](#) [R272-100-000](#) [120-910](#) [R501-001-010](#) [R508-080-000](#) [R508-160-000](#) [R530-120-000](#) [R530-122-000](#) [R530-200-000](#) [R531-160-000](#) [R531-200-000](#) [R582-080-100](#)