

MPC (polycarbonate empty enclosure) MPC 07/12/12 7035

Weidmüller Interface GmbH & Co. KG
Klingenbergstraße 16
D-32758 Detmold
Germany
Fon: +49 5231 14-0
Fax: +49 5231 14-292083
www.weidmueller.com



Small and medium-sized polycarbonate housings The polycarbonate housings of the MPC series are ideal for building into electrical, electromechanical and pneumatic devices as well as PCBs. The enclosures are used in situations with extreme mechanical and chemical conditions.

Features:

- 9 sizes in 2 versions
- grey or transparent cover
- cover with lead-seal holes
- Mounting holes outside the seal area - receptacle threads for rail mounting, mounting plates and circuit board
- Comprehensive accessories Weidmüller can manufacture and supply the housing to match customer specifications, fitted with all necessary terminals and cable glands.

General ordering data

Type	MPC 07/12/12 7035
Order No.	9535210000
Version	MPC (polycarbonate empty enclosure), Empty enclosure, Height: 75 mm, Width: 125 mm, Depth: 125 mm, Material: Polycarbonate, Light Grey
GTIN (EAN)	4032248009565
Qty.	1 pc(s).

**MPC (polycarbonate empty enclosure)
MPC 07/12/12 7035**

Weidmüller Interface GmbH & Co. KG
 Klingenbergstraße 16
 D-32758 Detmold
 Germany
 Fon: +49 5231 14-0
 Fax: +49 5231 14-292083
 www.weidmueller.com

Technical data**Dimensions and weights**

Width	125 mm	Width (inches)	4.921 inch
Height	75 mm	Height (inches)	2.953 inch
Depth	125 mm	Depth (inches)	4.921 inch
Weight	300 g	Net weight	306 g

Cable glands, right

M12	4	M16	3
M20	3		

Cable glands, top/bottom

M12	1	M16	1
M20	1		

General information

Areas of use	Building systems and technology, Transportation, Packaging industry, Machine construction	Material	Polycarbonate
Seal material	Polyurethane	Operating temperature, min.	-50 °C
Operating temperature, max.	130 °C	Protection degree	IP66, IP67
Enclosure attachment	Holes 4.5 mm	Lid attachment	4 polyamide crosshead screws
Integral fixing	thanks to self-tapping screws		

General information on accessories

Material	Polycarbonate
----------	---------------

horizontal assembly

WDU 10 / ZDU 10	1x6	WDU 16 / ZDU 16	1x1
WDU 2,5 / ZDU 2,5 / IDU 2,5	1x13	WDU 35 / ZDU 35	1x1
WDU 4 / ZDU 4	1x11	WDU 6 / ZDU 6	1x8

vertical assembly

WDU 10 / ZDU 10	1x6	WDU 16 / ZDU 16	1x5
WDU 2,5 / ZDU 2,5 / IDU 2,5	1x13	WDU 35 / ZDU 35	1x4
WDU 4 / ZDU 4	1x11	WDU 6 / ZDU 6	1x8

Classifications

ETIM 3.0	EC000058	ETIM 4.0	EC000058
ETIM 5.0	EC000058	ETIM 6.0	EC000261
UNSPSC	31-26-15-02	eClass 5.1	27-14-91-07
eClass 6.2	27-14-91-07	eClass 7.1	27-14-91-07
eClass 8.1	27-14-91-07	eClass 9.0	27-18-01-01
eClass 9.1	27-18-92-90		

Data sheet**MPC (polycarbonate empty enclosure)
MPC 07/12/12 7035****Weidmüller Interface GmbH & Co. KG**
Klingenbergstraße 16
D-32758 Detmold
Germany
Fon: +49 5231 14-0
Fax: +49 5231 14-292083
www.weidmueller.com**Technical data****Approvals**

Approvals



ROHS

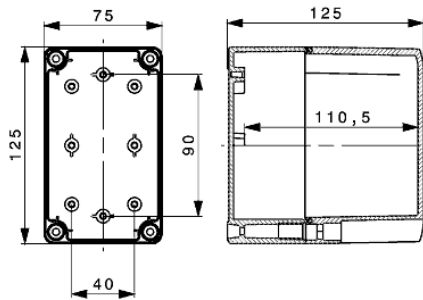
Conform

Downloads

Brochure/Catalogue	CAT 5 ENCL 17/18 EN
Engineering Data	EPLAN_WSCAD
Engineering Data	STEP

Data sheet**MPC (polycarbonate empty enclosure)
MPC 07/12/12 7035**

Weidmüller Interface GmbH & Co. KG
Klingenbergstraße 16
D-32758 Detmold
Germany
Fon: +49 5231 14-0
Fax: +49 5231 14-292083
www.weidmueller.com

Drawings

X-ON Electronics

Largest Supplier of Electrical and Electronic Components

Click to view similar products for [Enclosures, Boxes, & Cases](#) category:

Click to view products by [Weidmuller](#) manufacturer:

Other Similar products are found below :

[CR-425 PAINTED](#) [585-R-WH-PK](#) [M-10-PLATED](#) [60221-01](#) [60566-01-000](#) [HPL-9VB BATT DOOR](#) [M-16-LID-PLATED](#) [M18-PLTD](#) [M-21-LID-PLATED](#) [M-21-PLATED](#) [M-23-PLATED](#) [CU-281-MB](#) [6711GSKT](#) [71884-29-028](#) [LH45-100 Black](#) [7200B](#) [72868-510-000](#) [CNS-0000 Black](#) [72883-510-000](#) [CNS-0101 Black](#) [72906-510-000](#) [CNS-0407 Black](#) [73091-510-000](#) [CNM-0000-BLACK Kit](#) [73092-510-000](#) [CNM-0101 Black](#) [73108-510-000](#) [CNL-0303 Black](#) [73395-510-039](#) [CNS-0006 Bone](#) [74257-510-000](#) [CNL-0004](#) [MDC-1183-PLAIN-ALUM](#) [MDC-1183-PTD](#) [MDC-13104-PLAIN-ALUM](#) [MDC-211 - PAINTED IVORY/BEIGE](#) [MDC-321-PTD](#) [MDC-432-PLAIN-ALUM](#) [MDC-973-PTD](#) [76](#) [77153-01-028](#) [FLX6030](#) [83535-01-508](#) [PS-11296-G](#) [PS-11298-B](#) [116-508](#) [120-407](#) [120-412](#) [120-909](#) [120-455](#) [R272-100-000](#) [120-910](#) [R501-001-010](#) [R508-080-000](#) [R508-160-000](#) [R530-120-000](#) [R530-122-000](#) [R530-200-000](#) [R531-160-000](#) [R531-200-000](#) [R582-080-100](#)