



- TACT SWITCH
- PUSH BUTTON SWITCH
- LED TOUCH SENSOR SWITCH
- 5 DIRECTION NAVIGATION SWITCH WITH LED
- MEMBRANE SWITCH
- LED LIGHT BAR
- SLIDE SWITCH
- ROTARY SWITCH
- ROCKER SWITCH
- DETECT SWITCH
- ENCODER
- INTERRUPTER
- MINIATURE MICRO HOOK SWITCH
- TELEPHONE HOOK SWITCH
- DOOR SWITCH
- MINI SIZE SOCKET
- KNOB
- CAP SYMBOL

**Feature :**

- Failure detection/protection design
- External LED indicator design
- LED driving with low current ; IP64
- 8 positions LED marquee design
- Voltage of output can be customized

**Application :**

- Automotive
- Start engine button
- Gear shifting module

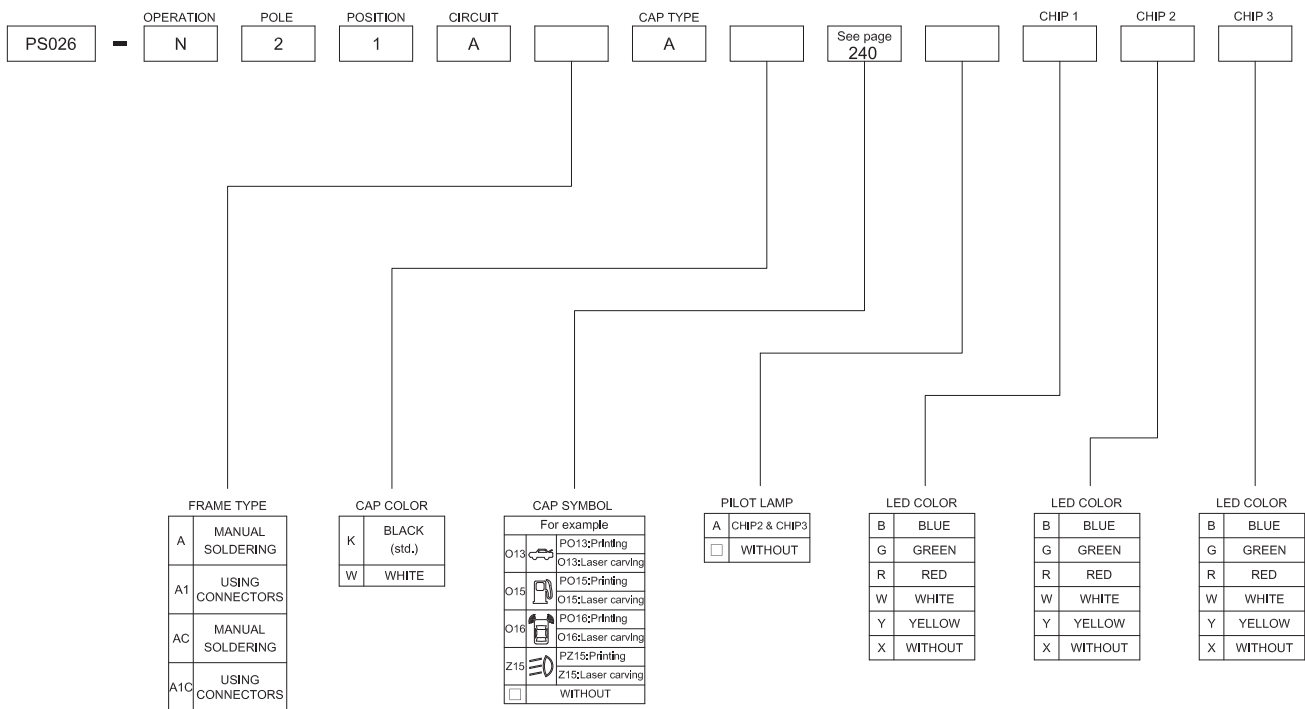


SWITCH SPECIFICATIONS	
POLE - POSITION	OFF - <ON> for Momentary Type , DPST
CONTACT RATING	0.2A 12V DC
CONTACT RESISTANCE	200Ω MAX.
INSULATION RESISTANCE	100 MΩ min, 100 V DC
DIELECTRIC STRENGTH	Breakdown is not Allowable ; 250 V AC for 1 Minute
OPERATING FORCE	300 ± 80 gf
OPERATING LIFE	500,000 cycles
OPERATING TEMPERATURE RANGE	-40°C ~ 85°C
TOTAL TRAVEL	1.8 ± 0.3 mm

LED SPECIFICATIONS								
<p>ATTENTION LEDs are Electrostatic Sensitive devices</p>	Unit	Value / LED Color						
		Blue 5mA	Pure Green	Red	Yellow	Orange	Green	White
LUMINOUS INTENSITY@20mA I <sub>v</sub>	mcd	40	200	280	80	280	30	150
Dominant Wavelength λ <sub>D</sub>	nm	470	525	630	590	630	568	/
FORWARD VOLTAGE@20mA V <sub>f</sub>	V	3.3	3.3	1.95	2	1.95	2.2	2.2

■ A single bin cannot be ordered, please contact us in advance if you need a particular bin sorting before placing your order to clarify the lead time, MOQ and pricing

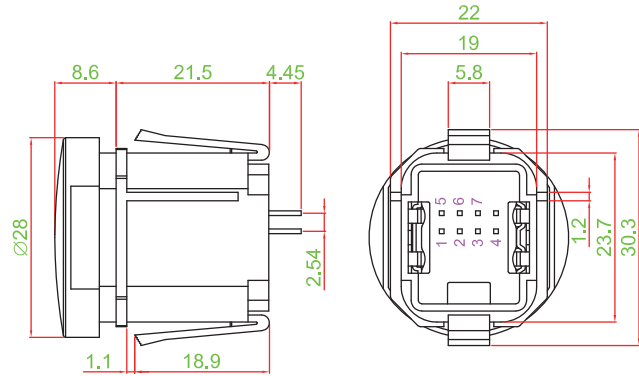
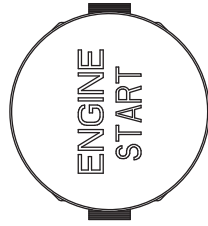
**▶ HOW TO ORDER**



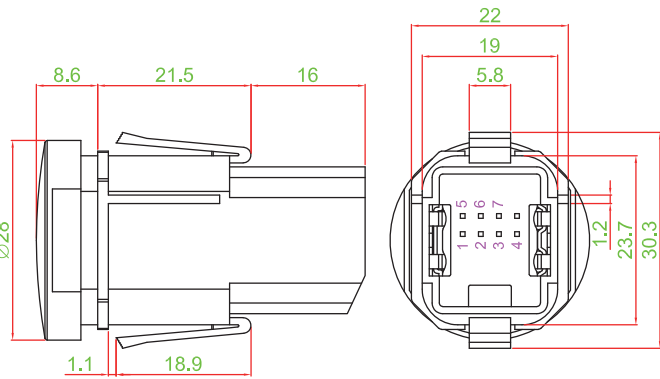
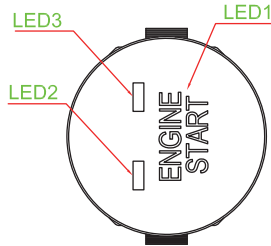


► DIMENSION

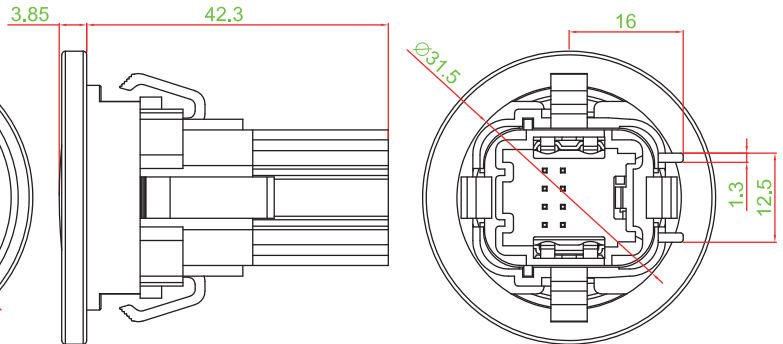
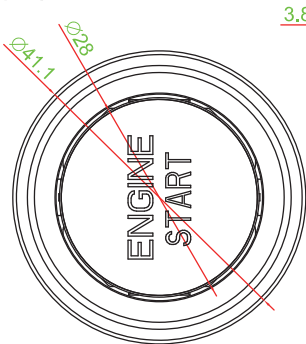
PS026-N21AAAKI23YYY



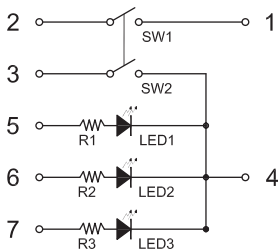
PS026-N21AA1AKI23AYGR



PS026-N21AA1CAKI23YGR

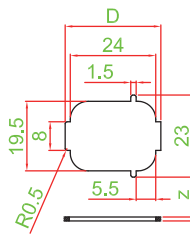


► CIRCUIT



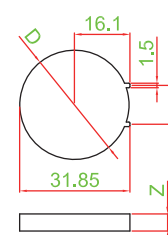
► PANEL CUT OUT

FRAME A & A1



Z	D
1.3 ~ 1.4	26.9 ~ 27.6
1.4 ~ 1.6	27.6 ~ 28.1
1.6 ~ 1.8	28.1 ~ 28.7

FRAME AC & A1C



Z	D
5.0 ~ 5.3	31.5 ~ 32.0
5.3 ~ 5.6	32.0 ~ 32.6
5.6 ~ 6.0	32.6 ~ 33.3

- TACT SWITCH
- PUSH BUTTON SWITCH
- LED TOUCH SENSOR SWITCH
- 5 DIRECTION NAVIGATION SWITCH WITH LED
- MEMBRANE SWITCH
- LED LIGHT BAR
- SLIDE SWITCH
- ROTARY SWITCH
- ROCKER SWITCH
- DETECT SWITCH
- ENCODER
- INTERRUPTER
- MINIATURE MICRO SWITCH
- TELEPHONE HOOK SWITCH
- DOOR SWITCH
- MINI SIZE SOCKET
- KNOB
- CAP SYMBOL

## X-ON Electronics

Largest Supplier of Electrical and Electronic Components

*Click to view similar products for [Pushbutton Switches](#) category:*

*Click to view products by [Well Buying](#) manufacturer:*

Other Similar products are found below :

[8940K2012](#) [LW1L-M1C10V-A](#) [LW1L-M1C70-A](#) [LW2L-A1C20M-GD](#) [LW2L-M1C20M-A](#) [60324L](#) [M22-D-R-GB0/K11](#) [M7E-HRN2](#)  
[67021K512](#) [67081K512X](#) [701PB580](#) [7199K101](#) [810K12910](#) [810KSV30B](#) [MML21EA2ADK](#) [MML21KA3ABK](#) [MML23KA3AC05K-001](#)  
[MML23KW3AA01W](#) [8418K2](#) [8442K3](#) [8450K1](#) [860K11911T01A](#) [861901](#) [861K11911T01A07](#) [861K13810T00A14](#) [861K13911](#)  
[8646AB6X718UL](#) [8646ABUL](#) [9001KXRK](#) [907AYY100](#) [PMHD155A1](#) [9533CD4+U574+U4922](#) [95-414.000](#) [99-450.837](#) [99-453.837](#)  
[PV3H2B0NN-341](#) [1203MRA](#) [A22NZBGANGA](#) [A22NZBNANGA](#) [A22NZMPATRA](#) [A2PMA1X03EC56](#) [A3A-5123-02](#) [A3A-7140](#) [A3A-7310](#) [A3A-7340](#) [A3U-TMW-A2C-5M](#) [A595](#) [12037A2ULCSA](#) [ABD122N-B](#) [1211390004](#)