

Feature -

- compact size
- reflow soldering available

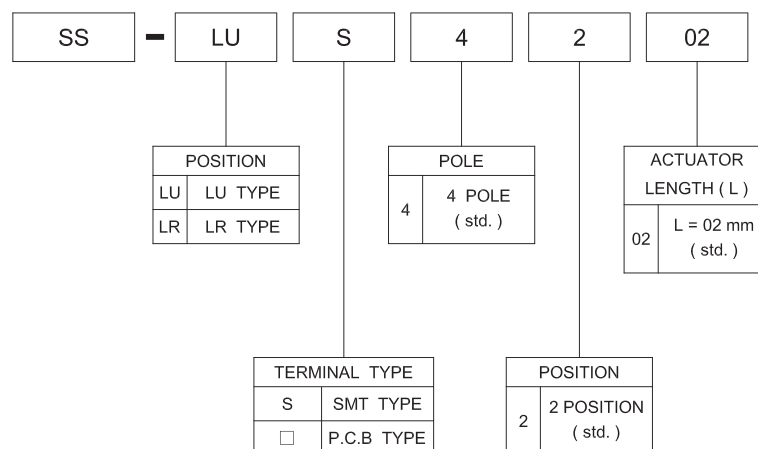
Application -

- consumer products
- computer products
- instrumentation
- communication equipments
- hand-held devices

► SPECIFICATIONS

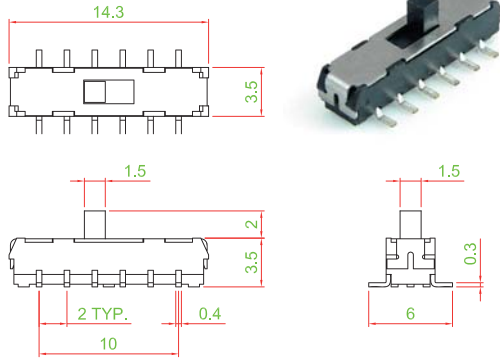
SWITCH SPECIFICATIONS	
POLE - POSITION	4P2T
CONTACT RATING	6 V DC , 0.3 A
CONTACT RESISTANCE	70 mΩ MAX. 5 V DC ; 1 A , by Method of Voltage DROP
INSULATION RESISTANCE	100 MΩ MIN. 500 V DC for 1 minute
DIELECTRIC STRENGTH	Breakdown is not Allowable ; 500 V AC for 1 Minute
OPERATING FORCE	200 ± 150 gf
OPERATING LIFE	10,000 cycles
OPERATING TEMPERATURE RANGE	-10°C ~ 60°C
TOTAL TRAVEL	2.0 ± 0.3 mm

► HOW TO ORDER

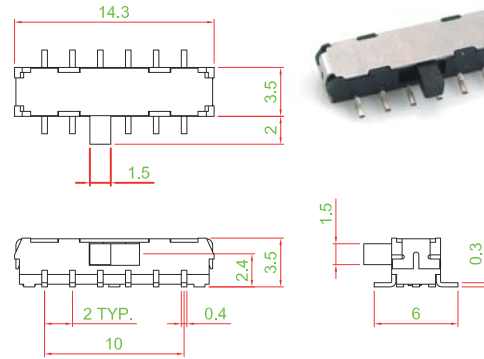


▶ DIMENSION

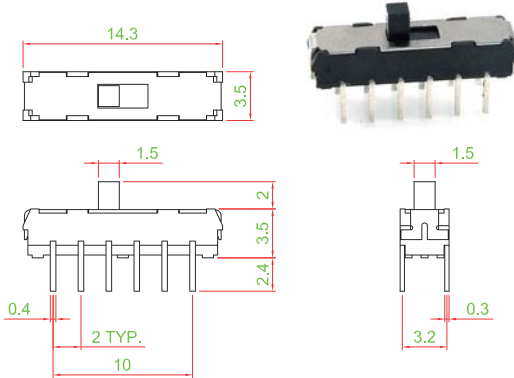
SS-LUS4202



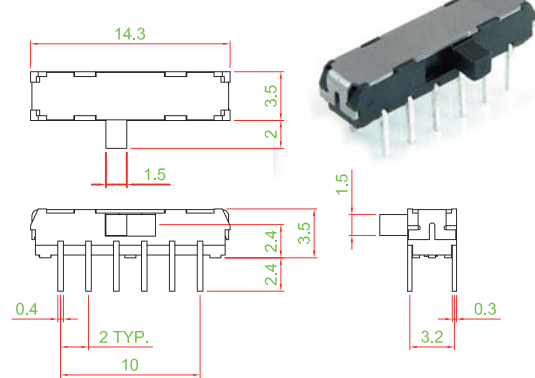
SS-LRS4202



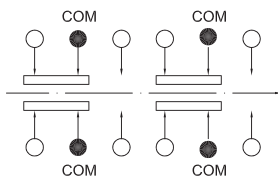
SS-LU4202



SS-LR4202

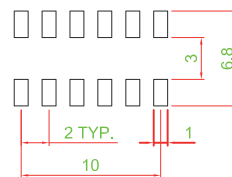


▶ CIRCUIT DIAGRAM

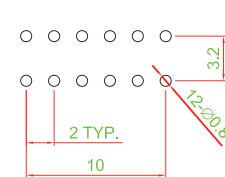


▶ P.C.B LAYOUT

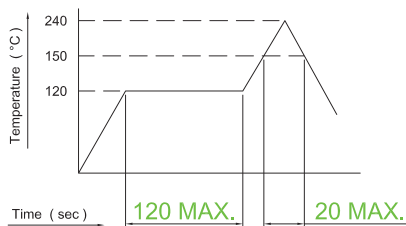
SMT TYPE



P.C.B TYPE



▶ REFLOW SOLDERING



▶ MATERIAL

- COVER : STAINLESS STEEL
- ACTUATOR : PA9T + GF
- BASE FRAME : PA9T + GF
- TERMINAL : SILVER PLATING

X-ON Electronics

Largest Supplier of Electrical and Electronic Components

Click to view similar products for [Slide Switches](#) category:

Click to view products by [Well Buying](#) manufacturer:

Other Similar products are found below :

[6-1437581-1](#) [M43R](#) [MHS123K15D](#) [MHS133K](#) [MHSS1104A](#) [MMD](#) [GH49S010001](#) [MSS12A](#) [EPS1PC1](#) [1825074-1](#) [1825160-3](#) [1825167-2](#)
[1825289-7](#) [K232CB](#) [25139NLDB](#) [25449NAH](#) [SLB1240R45](#) [1825078-1](#) [1825080-4](#) [1825269-1](#) [1825270-2](#) [STS141RA04](#) [T2215BEN506](#)
[GH46P000001](#) [GH46W000001](#) [GH49P010001](#) [25339NA](#) [M42A](#) [TG36P000000](#) [TG36P000050](#) [AYZ0202AG](#) [47227LFE](#) [49331L](#) [50208L](#)
[L203091MS02Q](#) [4-1437581-7](#) [X2225CR-437W](#) [49329L](#) [1101M1S3ZB8E2](#) [1-1437581-1](#) [MSS2225G04](#) [TG39W000000](#) [1825075-1](#)
[MSS42G](#) [TG36WS80065](#) [T105S1CWZBE](#) [SLB124145](#) [SLB1280R5](#) [SLB1340R45](#) [25136NLDB](#)