



Feature -

- water proof IP67 sealed panel mount
- full color LED illuminated available

Application -

- home appliances
- kitchen appliances
- communication equipments
- vending machines and switches used in polluted environment

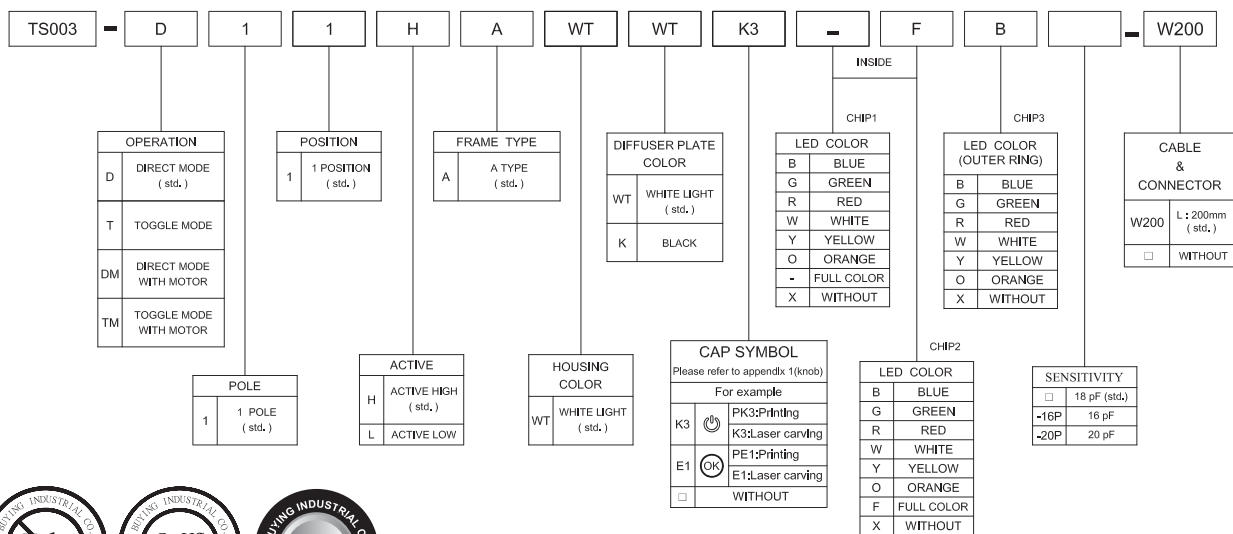
► SPECIFICATIONS

SWITCH SPECIFICATIONS						
POLE - POSITION	One-Chanel					
CIRCUIT FEATURE	Capacitive analog signal					
OPERATING TEMPERATURE RANGE	-20°C ~ 70°C					
SEALING	IP67					
ELECTRICAL CHARACTERISTICS						
Symbol	Parameter	Conditions	MIN.	TYP.	MAX.	Units
V _{CC}	Operating voltage		2.0	3.0	5.5	V
F	System oscillator	V _{CC} = 3V		16		KHz
F _{SEN}	Sensor oscillator	V _{CC} =3V, Output no load		1M		Hz
I _{OP}	Input ports	V _{CC} =3V, Output no load		1.5	3.0	uA
V _{IL}	Input ports	Input low voltage	0		0.2	V
I _{IH}	Operating current	Input high voltage	0.8		1.0	V
I _{OL}	Output port sink current	V _{CC} =3V, VOL=0.6V		8		mA
I _{OH}	Output port source current	V _{CC} =3V, VOH=2.4V		-4		mA
T _R	Output response time	V _{CC} =3V			220	mS
R _{PH}	Input pin pull-high resistor	V _{CC} =3V		35K		Ω
R _{PL}	Input pin pull-low resistor	V _{CC} =3V		28K		Ω

LED SPECIFICATIONS						
ATTENTION LEDs are Electrostatic Sensitive devices	Symbol	Unit	Value / LED Color			
			Ultra Green	Ultra Yellow	Ultra Red	
	FORWARD CURRENT	I _f	mA	20	20	20
	REVERSE VOLTAGE	V _r	V	5.0	5.0	5.0
	REVERSE CURRENT	I _r	μA	10	10	10
	FORWARD VOLTAGE@20mA	V _f	V	2.1-2.5	2.0-2.5	2.0-2.5
	LUMINOUS INTENSITY@20mA	I _v	mcd	60	120	150

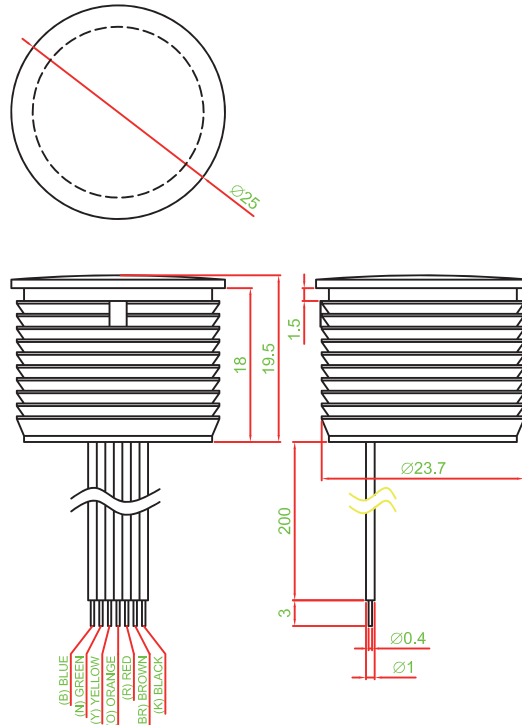
Physical and electrical information of LED will be provided upon customer's request on switches.

► HOW TO ORDER

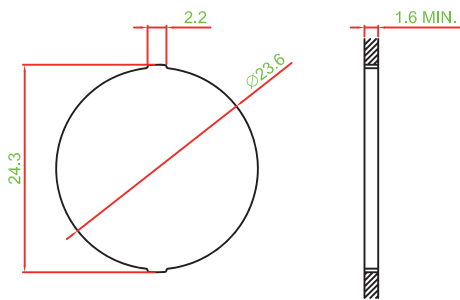


DIMENSION & FRAME TYPE

TS003 - D11HAWTWT□□□□-W200



PANEL CUT OUT

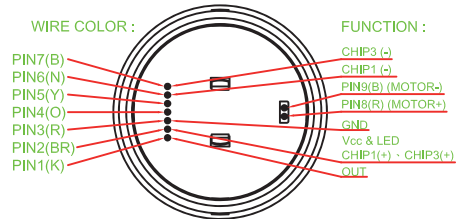


MATERIAL

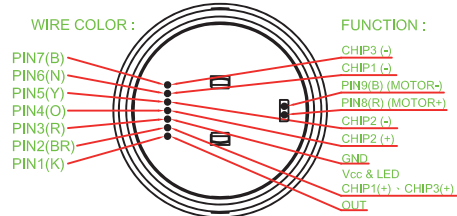
- COVER : PC
- ACTUATOR : POM
- BASE FRAME : PA + GF
- TERMINAL : PHOSPHOR BRONZE SILVER PLATING
- SPRING : PHOSPHOR BRONZE SILVER PLATING

SCHEMATIC

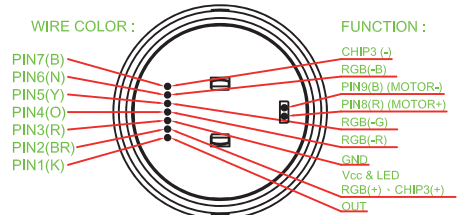
SINGLE COLOR



TWO COLOR



FULL COLOR



	0	1	2	3	4	5	6	7	8	9	10	11	12	13	14	15	16	17	18	19	
A	0	1	2	3	4	5	6	7	8	9	10	11	12	13	14	15	16	17	18	19	
B	A	B	C	D	E	F	G	H	I	J	CH5	CH6	DSK	PIP	C-KEY	CUT	TAKE	REC	ENG	PROD	
C	K	L	M	N	O	P	Q	R	S	T	REPLAY	RET1	RET2	KEY ON	AUTO TAKE						
D	U	V	W	X	Y	Z	POWER	ON OFF	ON	OFF		USER A	USER B	USER C	USER D	USER E	USER F	USER G	USER H	USER I	
E	OK		Auto	Enter	Start	STOP	OPEN	CLOSE	Exit	Move	USER J								M-1		
F	SET	Reset	Light	Alarm	Menu	Next	Back	Delete	Motor	Save											
G	Up	Down	Right	Left	Test	End	Insert	Lock	Print	+/-											
H	ESC	BC	HOME	Health	D-LED 2	OC GENIE	VIDEO INPUT	clr CMOS	Green Power	Save OK											
I	B/R	Undo Cancel	T/L	F1	F2	F3	F4	F5	F6	F7											
J	F8	F9	F10	F11	F12	F13	F14	IN 1	IN 2	IN 3											
K	IN 4	IN 5	IN 6																		
L	+	-	x	+	=	↑	→														
M							↑	→	↑	→											
N	↑	→	↑	←	▲	▶	◀	▶	◀	▶											
O			↔	◊	◊																
P				x	✓		Config.	TIME LINE	ME1	ME2											
Q	ME3	ME4	BGND 3D DVE1	BGND 3D DVE2	BUS COLOR	ME BUTTON LINK	*	INSERT	WIPE												
R	⏮	ALL		VP		COPY		RECORD MODE	↑												
S		♥	MUTE		Multi IOS																
T		hold	group	end	end	end	end	end	end	end											
U	end	end	chair	amb	amb	amb	amb	amb	amb	amb											
V	end	end	OC			CLEAR	CROSS WIND	AMMO TEMP	BARO PRESS	AIR TEMP											
W	BORE-SIGHT	CANT	LEAD	RANGE	MRS	ZERO	TEST	UD	LR												
X	ID	Dlep	M/F	GALL	.	BAND	SETUP	MODE	LINK	FUNC.											
Y	SHIFT					DEL															
Z				RUN	2D	3D	CH1	CH2	CH3	CH4											

X-ON Electronics

Largest Supplier of Electrical and Electronic Components

Click to view similar products for [Pushbutton Switches](#) category:

Click to view products by [Well Buying](#) manufacturer:

Other Similar products are found below :

[8940K2012](#) [LW1L-M1C10V-A](#) [LW1L-M1C70-A](#) [LW2L-A1C20M-GD](#) [LW2L-M1C20M-A](#) [60324L](#) [M22-D-R-GB0/K11](#) [M7E-HRN2](#)
[67021K512](#) [67081K512X](#) [701PB580](#) [7199K101](#) [810K12910](#) [810KSV30B](#) [MML21EA2ADK](#) [MML21KA3ABK](#) [MML23KA3AC05K-001](#)
[MML23KW3AA01W](#) [8418K2](#) [8442K3](#) [8450K1](#) [860K11911T01A](#) [861901](#) [861K11911T01A07](#) [861K13810T00A14](#) [861K13911](#)
[8646AB6X718UL](#) [8646ABUL](#) [9001KXRK](#) [907AYY100](#) [PMHD155A1](#) [9533CD4+U574+U4922](#) [95-414.000](#) [99-450.837](#) [99-453.837](#)
[PV3H2B0NN-341](#) [1203MRA](#) [A22NZBGANGA](#) [A22NZBNANGA](#) [A22NZMPATRA](#) [A2PMA1X03EC56](#) [A3A-5123-02](#) [A3A-7140](#) [A3A-7310](#) [A3A-7340](#) [A3U-TMW-A2C-5M](#) [A595](#) [12037A2ULCSA](#) [ABD122N-B](#) [1211390004](#)