



Feature -

- multiple keys and poles
- interlock and individual lock

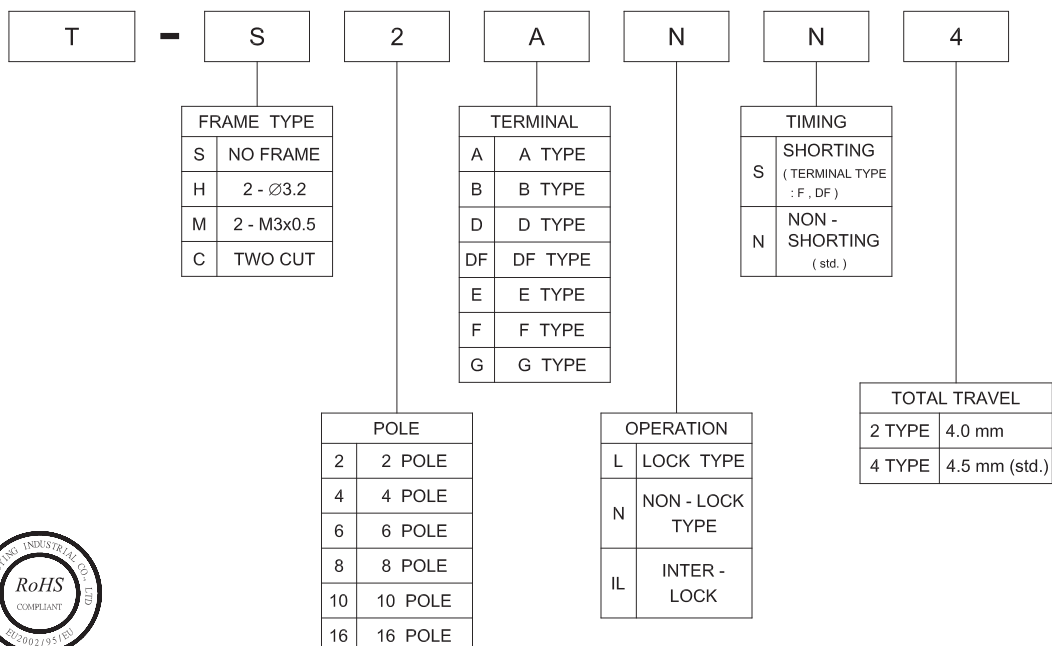
Application -

- various switching purpose
- in all home electronic equipments
- and industrial electronic equipments

► SPECIFICATIONS

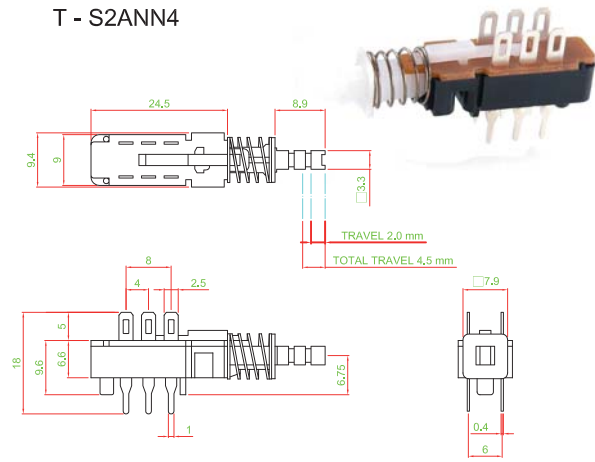
SWITCH SPECIFICATIONS	
POLE - POSITION	2P2T , 4P2T , 6P2T , 8P2T , 10P2T , 16P2T Momentary and Lock Type are Available
CONTACT RATING	25 V DC , 1 A ; 125 V AC , 0.2 A
CONTACT RESISTANCE	40 mΩ MAX. 1.5 V DC ; 100 mA , by Method of Voltage DROP
INSULATION RESISTANCE	100 MΩ MIN. 500 V DC
DIELECTRIC STRENGTH	Breakdown is not Allowable ; 500 V AC for 1 Minute
OPERATING FORCE	2P2T , 4P2T , 6P2T : 350 ± 150gf 8P2T , 10P2T , 16P2T : 600 ± 150gf
OPERATING LIFE	10,000 cycles
OPERATING TEMPERATURE RANGE	-20°C ~ 70°C
OPERATING TRAVEL	2.0 ± 0.3 mm

► HOW TO ORDER

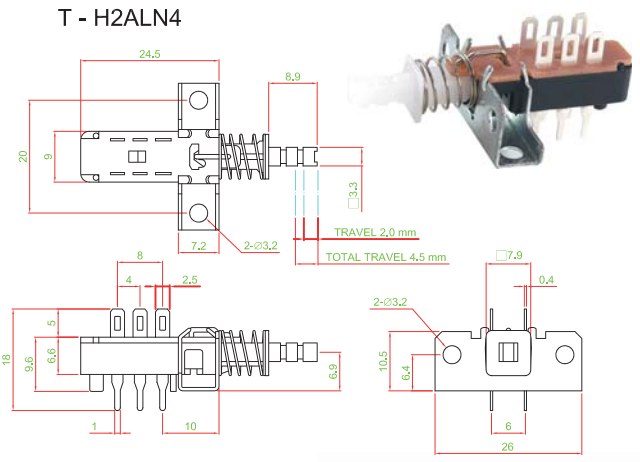


▶ DIMENSION

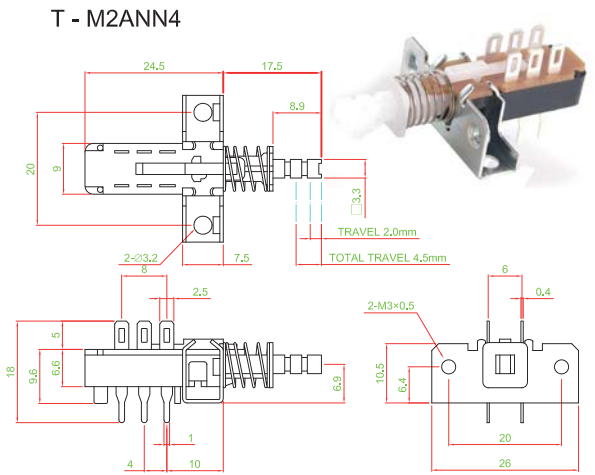
T - S2ANN4



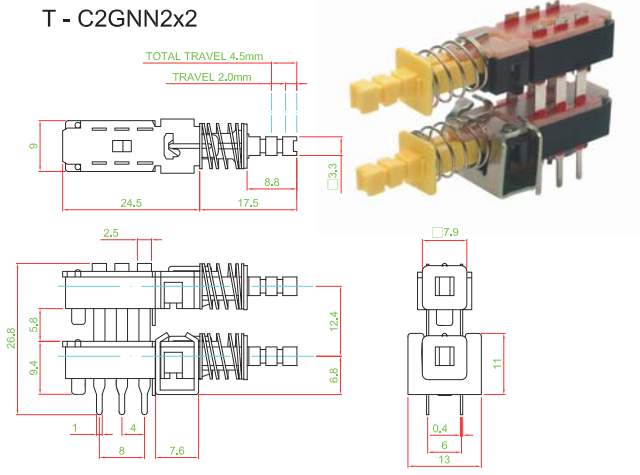
T - H2ALN4



T - M2ANN4

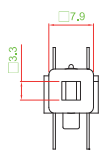


T - C2GNN2x2

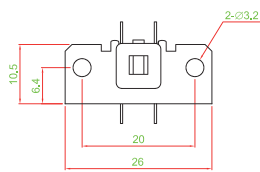


▶ FRAME TYPE

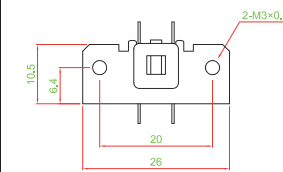
S TYPE



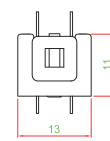
H TYPE



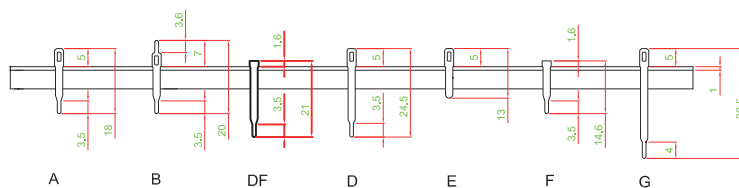
M TYPE



C TYPE

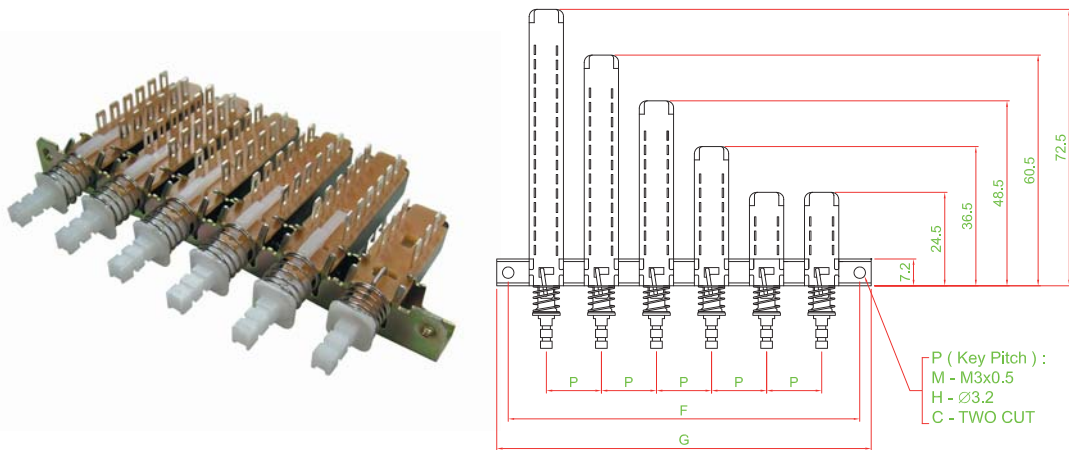


▶ FRAME TYPE



▶ P.C.B LAYOUT	▶ SCHEMATIC	▶ POLE & LENGTH														
		<table border="1"> <tr> <th>POLE</th> <td>2</td> <td>4</td> <td>6</td> <td>8</td> <td>10</td> <td>16</td> </tr> <tr> <th>L(mm)</th> <td>24.5</td> <td>36.5</td> <td>48.5</td> <td>60.5</td> <td>72.5</td> <td>108.5</td> </tr> </table>	POLE	2	4	6	8	10	16	L(mm)	24.5	36.5	48.5	60.5	72.5	108.5
POLE	2	4	6	8	10	16										
L(mm)	24.5	36.5	48.5	60.5	72.5	108.5										
		▶ MATERIAL														
		<ul style="list-style-type: none"> ■ ACTUATOR : POM ■ TERMINAL : BRASS SILVER PLATING ■ BASE FRAME : POM ■ SPRING : STAINLESS STEEL 														

▶ INTER-LOCK & LENGTH



SIZE PITCH	G		F		G		F		G		F		G		F	
10	26	20	46	40	66	60	86	80	106	100						
12.5	24	18	51	45	76	70	101	95	126	120						
15			56	50	86	80	116	110	146	140						
17.5	F		F	61	55	F	96	90	F	131	125	F	166	160		
20				66	60		106	100		146	140		186	180		
10		36	30	56	50	76	70	96	90	116	110					
12.5	2	38.5	32.5	63.5	57.5	6	88.5	82.5	8	113.5	107.5	10	138.5	132.5		
15		41	35	71	65		101	95		131	125		161	155		
17.5	F	43.5	37.5	F	78.5	72.5	F	113.5	107.5	F	148.5	142.5	F	183.5	177.5	
20		46	40		86	80		126	120		166	160		206	200	

▶ MULTI - KEY TYPE AND INTER - LOCK TYPE

FRAME TYPE M M3x0.5 H Ø3.2 C TWO CUT

KEY	1	2	3	4	5	6	7	8	9	10	11	12	13	14	15	16
OPTION / 選項																
POLE / 回路數																
TERMINAL TYPE / 端子																
OPERATING / 動作																
TIMING N / S																
TRAVEL / 行程																
KNOB																
PITCH / 間距	<input type="checkbox"/> 10mm <input type="checkbox"/> 12.5mm <input type="checkbox"/> 15mm <input type="checkbox"/> 17.5mm <input type="checkbox"/> 20mm <input type="checkbox"/> 25mm <input type="checkbox"/> 30mm															

X-ON Electronics

Largest Supplier of Electrical and Electronic Components

Click to view similar products for [Pushbutton Switches](#) category:

Click to view products by [Well Buying](#) manufacturer:

Other Similar products are found below :

[8940K2012](#) [LW1L-M1C10V-A](#) [LW1L-M1C70-A](#) [LW2L-A1C20M-GD](#) [LW2L-M1C20M-A](#) [60324L](#) [M22-D-R-GB0/K11](#) [M7E-HRN2](#)
[67021K512](#) [67081K512X](#) [701PB580](#) [7199K101](#) [810K12910](#) [810KSV30B](#) [MML21EA2ADK](#) [MML21KA3ABK](#) [MML23KA3AC05K-001](#)
[MML23KW3AA01W](#) [8418K2](#) [8442K3](#) [8450K1](#) [860K11911T01A](#) [861901](#) [861K11911T01A07](#) [861K13810T00A14](#) [861K13911](#)
[8646AB6X718UL](#) [8646ABUL](#) [9001KXRK](#) [907AYY100](#) [PMHD155A1](#) [9533CD4+U574+U4922](#) [95-414.000](#) [99-450.837](#) [99-453.837](#)
[PV3H2B0NN-341](#) [1203MRA](#) [A22NZBGANGA](#) [A22NZBNANGA](#) [A22NZMPATRA](#) [A2PMA1X03EC56](#) [A3A-5123-02](#) [A3A-7140](#) [A3A-7310](#) [A3A-7340](#) [A3U-TMW-A2C-5M](#) [A595](#) [12037A2ULCSA](#) [ABD122N-B](#) [1211390004](#)