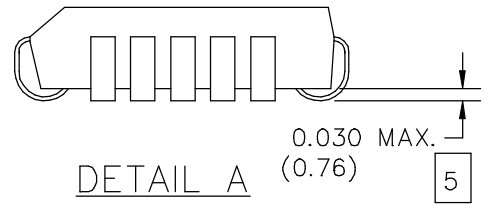
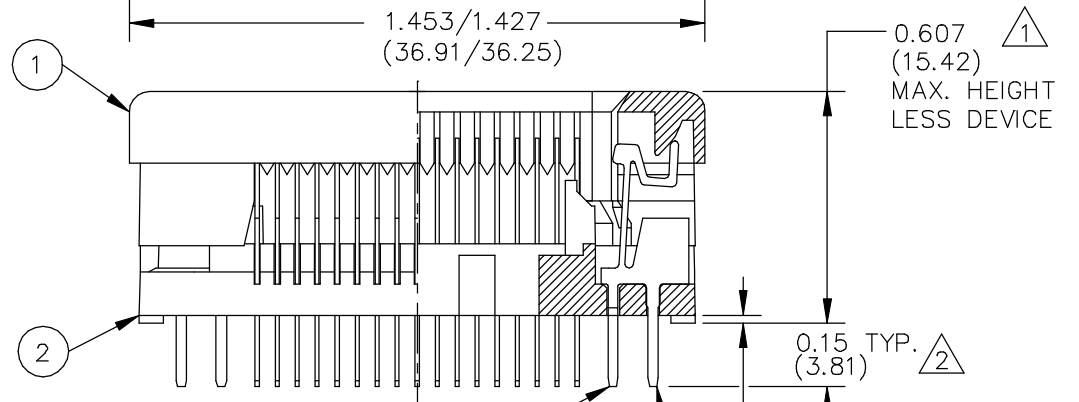
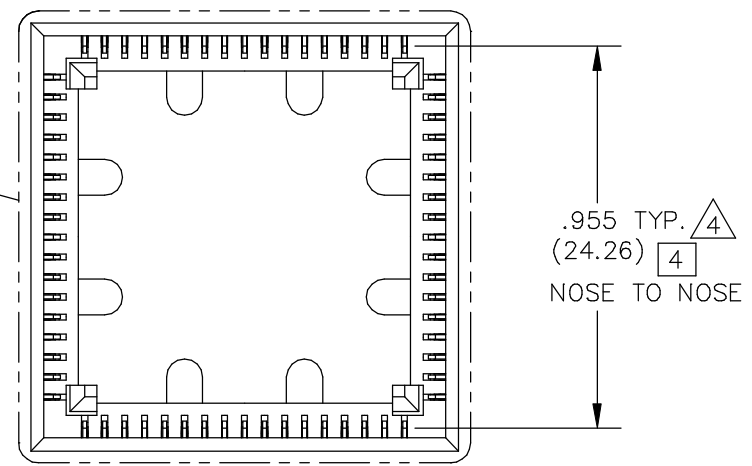
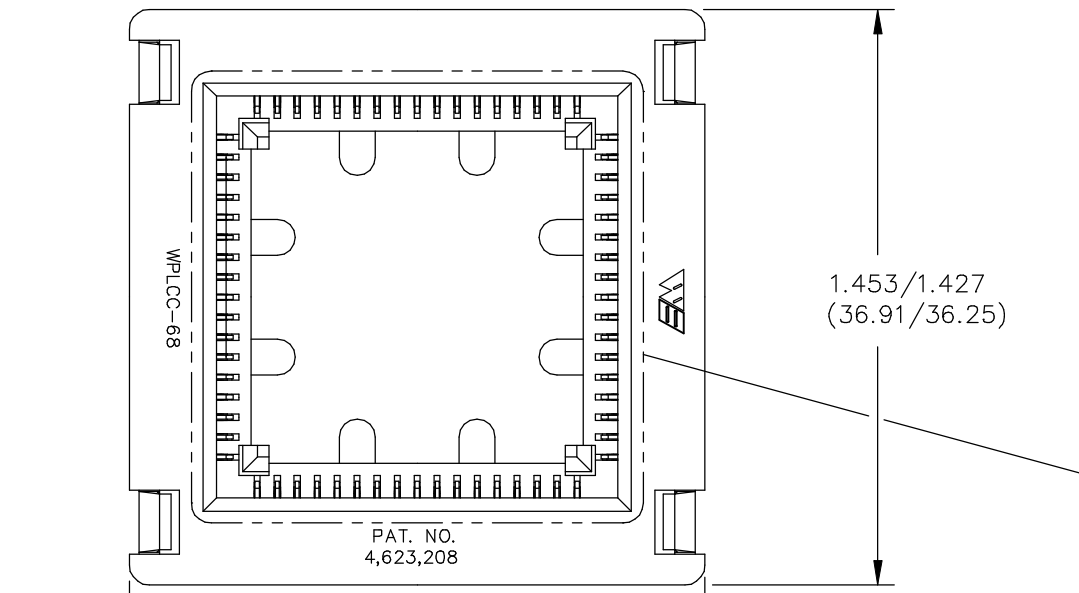


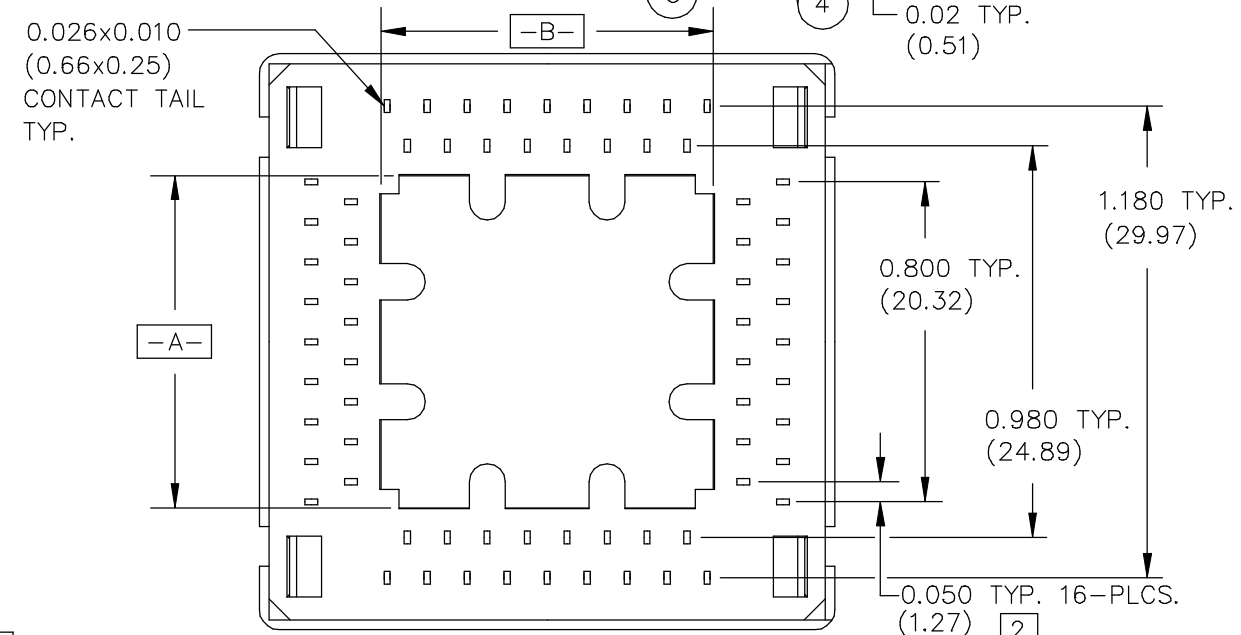
REV.	DATE	BY	REVISION
A	7-1-94	MR	DRAWN & RELEASED
A1	5-13-95	CR	INC. ECN #95-0245 REVISED & REPLOTTED.

REV.	ECN #	REV.	ECN #	REV.	ECN #	REV.	ECN #	REV.	ECN #	REV.	ECN #



A	C	P
X	X	-

PART NO. 647C168XXX-012



ITEM	PART NUMBER	QTY	DESCRIPTION
4	031-049-XX2	36	CONTACT
3	031-049-XX1	32	CONTACT
2	009-185-X05	1	BASE (RED RADEL)
1	009-262-X02	1	LID

- 5. SOCKETS ACCEPT PKGS. THAT MEET JEDEC SPEC. MO-047 AE WITH LIMITATION SHOWN IN DETAIL A.
 - 4. DIMENSIONS MUST BE SYMMETRICAL TO DATUM A OR B WITHIN 0.003(0.08).
 $\left[\begin{matrix} \phi \\ \oplus \end{matrix} \right] .003(0.08) \begin{matrix} \text{A} \\ \text{S} \end{matrix} \text{ OR } \begin{matrix} \phi \\ \oplus \end{matrix} \right] .003(0.08) \begin{matrix} \text{B} \\ \text{S} \end{matrix}$
 - 3. SOCKET MUST MEET REQUIREMENTS OF WELLS ELECTRONICS ENGINEERING SPECIFICATION ES-P-647.
 - 2. AFTER ASS'Y CONTACT TAILS MUST MEET POSITIONAL TOL. PER PIN GAGE T-0361. \triangle
 - 1. (XX.XX) DENOTES METRIC DIM'S IN MILLIMETERS.
- NOTES: UNLESS OTHERWISE SPECIFIED

LEGEND	ITEM	PART NUMBER	QTY	DESCRIPTION
\diamond	CRITICAL	THIS DOCUMENT CONTAINS PROPRIETARY DESIGNS, SPECIFICATIONS, DATA, INFORMATION AND TECHNICAL MATERIAL THAT ARE THE SOLE PROPERTY OF WELLS ELECTRONIC, INC. THIS INFORMATION IS TO BE HELD AND TREATED BY ITS RECIPIENT ON A CONFIDENTIAL BASIS, AND IS NOT TO BE SHOWN OR DISCLOSED TO THIRD PARTIES WITHOUT THE WRITTEN CONSENT OF WELLS ELECTRONICS, INC. THIS DATA DOES NOT CONVEY MANUFACTURING RIGHTS TO ANY ITEM SHOWN.		
\triangle	MAJOR			
\square	MINOR			
ALL OTHERS	MINOR			
LAST NUMBER USED WAS : 4		MATERIAL		
NUMBERS IN CRITICAL & MAJOR DIMENSIONS ARE RANDOMLY PLACED AND HAVE NO SPECIFIC ORDER IN THE WAY THAT THEY HAVE BEEN NUMBERED.		FINISH		
Z10-XXXX8XX-012		DO NOT SCALE		
PART NO. 647C168XXX-012		TOLERANCES .XX±.01(±0.25) .XXX±.005(±0.13) .XXXX----- ANGLE ±1°		
		DRAWN MLR DATE 7-1-94		
		CHECKED HOHULIN DATE 7-5-94		
		PROJ. ENG. JDS DATE 7-11-94		
		CHIEF ENG. TL DATE 7-13-94		
		MFG. ENG. DRM DATE 7-12-94		
		QUALITY DN DATE 7-13-94		
		WELLS ELECTRONICS SOUTH BEND, INDIANA		
		PART NAME 68 LD. SOCKET F/SQ. PLCC W/WIDE HOOK ARMS (LIVE BUG)		
		PART NO. 647C168XXX-012 REV. A1		
		SCALE 3X SHEET *		
		CAD DWG NO. ASSY0226 SUB-DR ON SERVER SOCKASSY		

X-ON Electronics

Largest Supplier of Electrical and Electronic Components

Click to view similar products for [wells cti](#) manufacturer:

Other Similar products are found below :

[Wells CTI](#)