

Belt C 1 Zyklop socket set with holding function, 1/2" drive, 7 pieces

Zyklop Accessories, 1/2"



EAN:	4013288204400	Size:	285x95x50 mm
Part number:	05003995001	Weight:	605 g
Article number:	Belt C 1	Country of origin:	TW
		Customs tariff number:	82042000

- 7-piece socket set on a robust textile belt, 1/2"
- Sockets with holding function for screws/bolts/nuts
- Smooth Twist to Unlock mechanism for a secure fit and simple removal of the sockets
- With Take it easy tool finder: colour coding by size
- Suitable for attachment to a wall, shelf, tool trolley and to the Wera 2go System

Typically Wera designed robust textile belt with 6 sockets taking up minimal space. A smooth Twist to Unlock mechanism ensures a secure fit and simple removal of the sockets. Comes with "Take it easy" Tool Finder with colour coding according to size to enable the right tool to be selected easily and quickly. Includes a snap hook for secure fastening to a belt loop or pocket. Sockets with holding function for particularly convenient screwdriving with reduced risk of losing the screw when approaching the workpiece. Supplied with a non-woven reverse side and hook and loop strips for simple attachment e.g. to a wall, shelf, tool trolley and to the Wera 2go tool transport system.



Web link

https://products.wera.de/en/zyklop_ratchets_and_accessories_the_zyklop_ratchets_the_zyklop_ratchets_1_2_zyklop_accessories_1_2_belt_c_1.html

Wera - Belt C 1
05003995001 - 4013288204400




Wera Werkzeuge GmbH
Korzter Straße 21-25
D-42349 Wuppertal
Tel: +49 (0)2 02 / 40 45-0
E-Mail: info@wera.de



Belt C 1 Zyklop socket set with holding function, 1/2" drive, 7 pieces



Zyklop Accessories, 1/2"

Set contents:

	8790 HMC HF	
	05003730001	1 x 10 x 37 mm
	05003733001	1 x 13 x 37 mm
	05003735001	1 x 15 x 37 mm
	05003736001	1 x 16 x 37 mm
	05003737001	1 x 17 x 37 mm
	05003739001	1 x 19 x 37 mm
	Belt C 0/6	1 x 45 x 275 mm

	ME1	05050005001	1 x 43 x 14 mm
	K30		1 x 30 x 200 mm

Wera Belts



The textile belt can be attached by means of the nonwoven reverse side and the hook and loop strips e.g. to a wall, shelf, tool trolley and to the Wera 2go tool transport system.



Whoever would have thought that the storage of sockets could be completely revolutionised and that someone could come up with a stylish belt with securely attached sockets that can still be easily removed.

Sockets with retaining function for hexagon headed bolts, screws and nuts



The clamping of the screw is achieved by a twin spring loaded ball retention system. The tubing is effectively protected against mechanical wear and tear by a steel ring. The holding function is especially helpful in confined, hard-to-reach spaces, where there is no room for a second hand to secure the screw.

Nut extractor tool



This tool enables hexagon nuts to be easily removed from sockets with holding function.

Web link

https://products.wera.de/en/zyklop_ratchets_and_accessories_the_zyklop_ratchets_the_zyklop_ratchets_1_2_zyklop_accessories_1_2_belt_c_1.html

Wera - Belt C 1
05003995001 - 4013288204400

Wera Werkzeuge GmbH
Korzter Straße 21-25
D-42349 Wuppertal
Tel: +49 (0)2 02 / 40 45-0
E-Mail: info@wera.de

Belt C 1 Zyklop socket set with holding function, 1/2" drive, 7 pieces

Zyklop Accessories, 1/2"

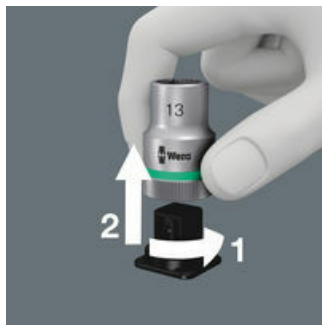


Take it easy tool finder system



Take it easy tool finder system - with profile and size colour-coding for quick and easy tool selection. Colour-coded system for hexagon drive screws (L-Keys, Zyklop bit sockets), external hex drive screws and nuts (Joker wrenches, Zyklop sockets and Zyklop bit sockets with holding function), and TORX® drive screws (L-Keys, Zyklop bit sockets).

Secure hold and easy removal



The all new smooth turning mechanism guarantees both secure and rattle-free storage, yet allows easy removal of the tool.

Practical nonwoven strips



The textile belt can be attached by means of the nonwoven reverse side and the hook and loop strips e.g. to a wall, shelf, tool trolley and to the Wera 2go tool transport system.

Comes with convenient snap hook



The robust textile belt can be secured to a belt loop or pocket by means of the snap hook.

Web link

https://products.wera.de/en/zyklop_ratchets_and_accessories_the_zyklop_ratchets_the_zyklop_ratchets_1_2_zyklop_accessories_1_2_belt_c_1.html

Wera - Belt C 1
05003995001 - 4013288204400

Wera Werkzeuge GmbH
Korzter Straße 21-25
D-42349 Wuppertal
Tel: +49 (0)2 02 / 40 45-0
E-Mail: info@wera.de

X-ON Electronics

Largest Supplier of Electrical and Electronic Components

Click to view similar products for [Wera](#) manufacturer:

Other Similar products are found below :

[05057122001](#) [5031610001](#) [05006120001](#) [05031612001](#) [05118042001](#) [05003500001](#) [160 I/7](#) [165 I PZ2 VDE](#) [05059291001](#) [05073599001](#)
[7431 ESD 30,0 - 100,0 NCM](#) [7450 10,0 NCM](#) [967L/9 HF TORX](#) [7440/41](#) [8100 SA 8 ZYKLOP METAL-KNARRENSATZ 1/4"](#)
[05030081001](#) [JOKER 17 + 19 METRISCH](#) [05003472001](#) [05073676001](#) [05074702001](#) [05004970001](#) [05480223001](#) [05003880001](#)
[05003882001](#) [05003970001](#) [05003971001](#) [05003973001](#) [05104652001](#) [05075622001](#) [05075623001](#) [05006451001](#) [05074752001](#)
[05074757001](#) [05004203001](#) [05004202001](#) [05004201001](#) [05020090001](#) [05057432001](#) [8790 4.0](#) [8790 14.0](#) [8767 40 X 28MM](#) [05022171001](#)
[5004019001](#) [05056683001](#) [05056294001](#) [05056161001](#) [05020072001](#) [05020129001](#) [05008061001](#) [05017010001](#)