

EAN:	4013288221087	Size:	383x138x53 mm
Part number:	05020232001	Weight:	3700 g
Article number:	6003 Joker 22 Set 1	Country of origin:	CZ
		Customs tariff number:	82041100

- 22-piece ring spanner set - particularly suitable for narrow installation spaces
- The special mouth geometry expands the placement possibilities of the tool
- The low return angle in the mouth "takes" the screw every 15°
- Slim ring side with 15° crank

As the installation space becomes increasingly tight during screwdriving, tools are necessary that enable users to work successfully even in such situations. Narrow spaces require additional placement points of the tool. Can spanners be modified so that the placement possibilities of the tool increase? The combination of the 7.5° pivoted mouth and the double hexagon geometry doubles the placement points. A repeated 180° turn of the wrench around the longitudinal axis during screwdriving provides four placement possibilities, and bolts or screw heads can be engaged every 15°. The Joker 6003 with its smart mouth geometry significantly expands the range of uses in confined spaces. The Joker 6003 will automatically find the respective placement point after every turn. The slim yet robust ring side is angled by 15° to the tool axis. The high-quality surface treatment achieves a high and long-lasting corrosion protection. With tool finder Take it easy: colour coding by size.

Web link


https://products.wera.de/en/news_and_promotional_products_autumn_winter_2021_2022_our_autumn_winter_production_innovations_6003_joker_22_set_1.html

Wera - 6003 Joker 22 Set 1
 05020232001 - 4013288221087

Wera Werkzeuge GmbH
 Korzter Straße 21-25
 D-42349 Wuppertal
 Tel: +49 (0)2 02 / 40 45-0
 E-Mail: info@wera.de

Our Autumn/Winter production innovations

Set contents:

	6003 Joker	
	05020190001	1 x 5.5 x 105 mm
	05020198001	1 x 6 x 105 mm
	05020199001	1 x 7 x 110 mm
	05020200001	1 x 8 x 115 mm
	05020219001	1 x 9 x 120 mm
	05020201001	1 x 10 x 125 mm
	05020202001	1 x 11 x 135 mm
	05020203001	1 x 12 x 148 mm
	05020204001	1 x 13 x 160 mm
	05020205001	1 x 14 x 167 mm
	05020206001	1 x 15 x 174 mm
	05020207001	1 x 16 x 182 mm
	05020208001	1 x 17 x 190 mm
	05020209001	1 x 18 x 210 mm
	05020210001	1 x 19 x 230 mm
	05020500001	1 x 20 x 230 mm
	05020501001	1 x 21 x 260 mm
	05020502001	1 x 22 x 260 mm
	05020503001	1 x 24 x 280 mm
	05020504001	1 x 27 x 300 mm
	05020505001	1 x 30 x 330 mm
	05020506001	1 x 32 x 360 mm

For very tight spaces



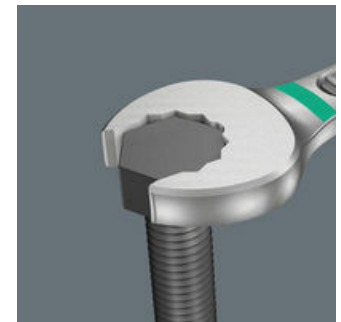
The Joker 6003 ring spanner with its special mouth geometry - mouth side pivoted by 7.5° and the double hexagon profile - doubles the placement possibilities when repeatedly turning the wrench 180° around the longitudinal axis. Bolts and screw heads can be "accessed" every 15°. The Joker 6003 will automatically find the respective placement point after every turn.

Joker 6003: For pivoting angles under 30°



Thanks to the mouth side pivoted by 7.5°, double hexagon geometry and an adjusted application method (placement - screwdriving - turning - replacement - screwdriving - turning, etc), even screwdriving challenges allowing a pivoting angle of less than 30° can be solved.

Double-hex geometry



The double hexagon geometry on the mouth and ring sides secures the positive connection with the screw head or bolt and reduces the risk of slipping.

Web link

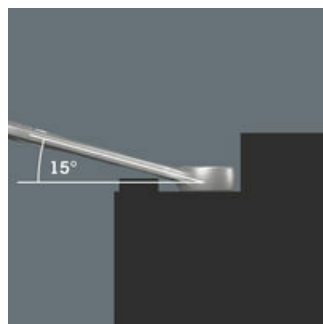
https://products.wera.de/en/news_and_promotional_products_autumn_winter_2021_2022_our_autumn_winter_production_innovations_6003_joker_22_set_1.html

Wera - 6003 Joker 22 Set 1
05020232001 - 4013288221087

Wera Werkzeuge GmbH
Korzter Straße 21-25
D-42349 Wuppertal
Tel: +49 (0)2 02 / 40 45-0
E-Mail: info@wera.de

Joker 6003: Angled ring side

“Take it easy” tool finder



The ring side is cranked at 15° to the tool axis to prevent injury.



Take it easy tool finder system - with profile and size colour-coding for quick and easy tool selection. Colour-coded system for hexagon drive screws (L-Keys, Zyklus bit sockets), external hex drive screws and nuts (Joker wrenches, Zyklus sockets and Zyklus bit sockets with holding function), and TORX® drive screws (L-Keys, Zyklus bit sockets).

Web link

https://products.wera.de/en/news_and_promotional_products_autumn_winter_2021_2022_our_autumn_winter_production_innovations_6003_joker_22_set_1.html

Wera - 6003 Joker 22 Set 1
05020232001 - 4013288221087

Wera Werkzeuge GmbH
Korzter Straße 21-25
D-42349 Wuppertal
Tel: +49 (0)2 02 / 40 45-0
E-Mail: info@wera.de

X-ON Electronics

Largest Supplier of Electrical and Electronic Components

Click to view similar products for [Spanners](#) category:

Click to view products by [Wera](#) manufacturer:

Other Similar products are found below :

[74005](#) [74008](#) [1406504-3](#) [1406504-4](#) [1406504-5](#) [1406504-7](#) [1725859-2](#) [9965](#) [999-16625-001](#) [G70515-18](#) [1055265-1](#) [1055267-1](#) [1-1406504-0](#) [1055787-1](#) [DCH.91.251.PA](#) [TG70-18](#) [TG70](#) [G62748-11](#) [DPH.99.005.2K](#) [DCP.91.045.TN](#) [1055512-1](#) [1055276-1](#) [R282303020](#) [TA-0456](#) [DCA.91.149.0TN](#) [TA-0436](#) [TA-0398](#) [TOL-222901](#) [74_Z-0-0-193](#) [294GB-5069-17-N](#) [74_Z-0-0-2](#) [523200-4](#) [294GB-5070-25-A](#) [74_Z-0-0-79](#) [294GB-5070-17-A](#) [74_Z-0-0-321](#) [TOL-171801](#) [PR23350](#) [1490262-2](#) [9968](#) [AC24VS](#) [80117](#) [DCN.91.149.0TK](#) [BT-A-6010CAGE](#) [R282340000](#) [BT-BS-609WT](#) [BT-A-6000B](#) [R282303000](#) [BT-BS-610R](#) [BT-BS-610RT](#)