

867/1 Z TORX® Wedge bits, TX 10 x 25 mm

Bits for TORX® Screws



EAN:	4013288016027	Size:	25x7x7 mm
Part number:	05066450001	Weight:	5 g
Article number:	867/1 Z TORX® W	Country of origin:	CZ
		Customs tariff number:	82079030

- For recessed TORX® screws
- Ductile and tough for hard materials
- 1/4" hexagon drive (Wera connecting series 1)
- Suitable for Bosch, Fein, Holz-Her, Lecreux, Metabo
- Prevents premature breakage of the drive tip

High quality bits for recessed TORX® screws. The conical design of the profile means that a wedging effect is generated that holds the TORX® screw securely on the bit. Tough viscous for universal use. 1/4" hexagon, suitable for holders as per DIN ISO 1173-D 6.3.

Web link

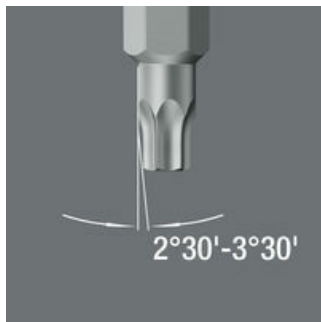
https://products.wera.de/en/bits_holders_adaptors_the_range_of_bits_bits_for_torx_screws_867_1_z_torx_w.html

Wera - 867/1 Z TORX® W
05066450001 - 4013288016027

Wera Werkzeuge GmbH
Korzter Straße 21-25
D-42349 Wuppertal
Tel: +49 (0)2 02 / 40 45-0
E-Mail: info@wera.de

Bits for TORX® Screws

TORX® Wedge



The conical TORX® profile provides a better fit in the screw. Combined with a great recess depth this produces a pinch effect.

Tough-absorbing bits



Tough-absorbing Wera bits (Z) prevent any premature breakage of the drive tip.

Further versions in this product family:



mm



inch

		mm	inch
05066450001	TX 10	25	1
05066455001	TX 15	25	1
05066460001	TX 20	25	1
05066465001	TX 25	25	1
05066470001	TX 27	25	1
05066475001	TX 30	25	1
05066480001	TX 40	25	1

Web link

https://products.wera.de/en/bits_holders_adaptors_the_range_of_bits_bits_for_torx_screws_867_1_z_torx_w.html

Wera - 867/1 Z TORX® W
 05066450001 - 4013288016027

Wera Werkzeuge GmbH
 Korzter Straße 21-25
 D-42349 Wuppertal
 Tel: +49 (0)2 02 / 40 45-0
 E-Mail: info@wera.de

X-ON Electronics

Largest Supplier of Electrical and Electronic Components

Click to view similar products for [Screwdrivers, Nut Drivers & Socket Drivers](#) category:

Click to view products by [Wera](#) manufacturer:

Other Similar products are found below :

[272012M](#) [27850](#) [CE-16-03400-00-HNDLE-TORQ](#) [323451-000](#) [HMM-HH](#) [WUVT-1-120AC-P](#) [00-8987-YWPP](#) [32024](#) [TL10416](#) [XW4Z-00B](#) [49-22-4073](#) [96025](#) [96030](#) [96560](#) [96430](#) [31830](#) [92270](#) [96012](#) [96436](#) [96536](#) [92064](#) [72820](#) [96520](#) [92040](#) [96416](#) [96570](#) [72823](#) [96525](#) [96720](#) [31832](#) [92020](#) [96523](#) [96510](#) [96427](#) [92073](#) [92052](#) [72905](#) [72741](#) [72663](#) [32061](#) [30751](#) [130203/TA](#) [KLEIN TOOLS SCREWDRIVER](#) [4-IN-1](#) [612020B](#) [35-045](#) [6951](#) [83](#) [9058](#) [9977](#) [EMF](#)