

871/2 TORQ-SET® Mplus bits, 5/16" x 32 mm

Bits for TORQ-SET® Screws



EAN:	4013288033215	Size:	32x9x8 mm
Part number:	05066656001	Weight:	11 g
Article number:	871/2 TORQ-SET® Mplus	Country of origin:	CZ
		Customs tariff number:	82079030

- For TORQ-SET® screws
- Ductile and tough for hard materials
- Mplus for more breaking torque and longer service life
- 5/16" hexagon drive (Wera connecting series 2)
- Suitable for Bosch, Fein, Holz-Her, Lecreux, Metabo

High quality bits for TORQ-SET® screws. The stronger flanks - when compared with the conventional TORQ-SET profile - result in 70% more breaking torque and thereby enhanced durability whilst at the same time providing a perfect fit in the screw head. Tough viscous for universal use. 5/16" hexagon, suitable for holders as per DIN ISO 1173-D 8.

Web link

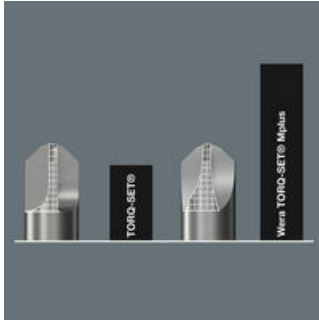
https://products.wera.de/en/bits_holders_adaptors_the_range_of_bits_bits_for_torq-set_screws_871_2_torq-set_mplus.html

Wera - 871/2 TORQ-SET® Mplus
05066656001 - 4013288033215

Wera Werkzeuge GmbH
Korzter Straße 21-25
D-42349 Wuppertal
Tel: +49 (0)2 02 / 40 45-0
E-Mail: info@wera.de

Bits for TORQ-SET® Screws

TORQ-SET® Mplus







Wera developed the Mplus profile with stronger flanks compared with tools with a conventional TORQ-SET® profile. This results in approximately 70 % extra torsional strength and greatly extends the service life of Wera Mplus tools.

Tough-absorbing bits



Tough-absorbing Wera bits (Z) prevent any premature breakage of the drive tip.

Further versions in this product family:

				
	mm	inch	mm	inch
05066650001	8		32	1 1/4
05066652001	10		32	1 1/4
05066654001	--	1/4"	32	1 1/4
05066656001	--	5/16"	32	1 1/4
05066658001	--	3/8"	32	1 1/4

Web link

https://products.wera.de/en/bits_holders_adaptors_the_range_of_bits_bits_for_torq-set_screws_871_2_torq-set_mplus.html

Wera - 871/2 TORQ-SET® Mplus
 05066656001 - 4013288033215

Wera Werkzeuge GmbH
 Korzter Straße 21-25
 D-42349 Wuppertal
 Tel: +49 (0)2 02 / 40 45-0
 E-Mail: info@wera.de

X-ON Electronics

Largest Supplier of Electrical and Electronic Components

Click to view similar products for [Screwdrivers, Nut Drivers & Socket Drivers](#) category:

Click to view products by [Wera](#) manufacturer:

Other Similar products are found below :

[272012M](#) [27850](#) [CE-16-03400-00-HNDLE-TORQ](#) [323451-000](#) [HMM-HH](#) [WUVT-1-120AC-P](#) [00-8987-YWPP](#) [32024](#) [TL10416](#) [XW4Z-00B](#) [49-22-4073](#) [96025](#) [96030](#) [96560](#) [96430](#) [31830](#) [92270](#) [96012](#) [96436](#) [96536](#) [92064](#) [72820](#) [96520](#) [92040](#) [96416](#) [96570](#) [72823](#) [96525](#) [96720](#) [31832](#) [92020](#) [96523](#) [96510](#) [96427](#) [92073](#) [92052](#) [72905](#) [72741](#) [72663](#) [32061](#) [30751](#) [130203/TA](#) [KLEIN TOOLS SCREWDRIVER](#) [4-IN-1](#) [612020B](#) [35-045](#) [6951](#) [83](#) [9058](#) [9977](#) [EMF](#)