

853/4 ACR® SL bits with sleeve, magnetized, PH 2 x 200 mm

Bits for Phillips Screws



EAN:	4013288163196	Size:	200x7x7 mm
Part number:	05203914001	Weight:	35 g
Article number:	853/4 ACR® SL	Country of origin:	CZ
		Customs tariff number:	82079030

- For Phillips screws
- ACR (anti cam-out feature) to prevent any slipping out of the screw head
- Permanently magnetized, thus screws can be held securely on the tip of the bit
- With plastic sleeve, protects components from being damaged when screwdriving.
- 1/4" hexagon drive (Wera connecting series 4)

High quality bits with rough ribs (anti cam-out feature, ACR) to prevent any slipping out of the screw head, permanently magnetized, thus screws can be held securely on the tip of the bit; with plastic sleeve, protects components from being damaged when screwdriving. Tough viscous for universal use. 1/4" hexagon, suitable for holders as per DIN ISO 1173-F 6.3.

Web link

https://products.wera.de/en/bits_holders_adaptors_the_range_of_bits_bits_for_phillips_screws_853_4_acr_sl.html

Wera - 853/4 ACR® SL
05203914001 - 4013288163196

Wera Werkzeuge GmbH
Korzter Straße 21-25
D-42349 Wuppertal
Tel: +49 (0)2 02 / 40 45-0
E-Mail: info@wera.de

Bits for Phillips Screws

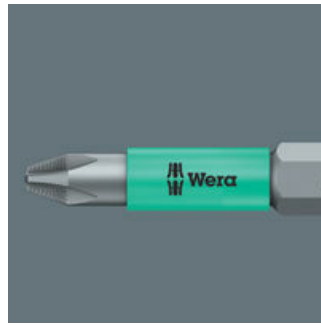
ACR®-Bits

With sleeve

Magnetic



ACR® stands for "anti-cam-out ribs". ACR® bits have ribs at the drive tip that protect against slipping out of the screw head. It is recommended that ACR® bits are matched with ribbed ACR® screws for maximum effect. ACR® is a registered trademark of Phillips Screw Company.







With plastic sleeve, protects components from being damaged when screwdriving.



Permanently magnetized, thus screws can be held securely on the tip of the bit.

Further versions in this product family:

		 mm	 inch	 mm
05323780001	PH 2	50	2	5.2
05323781001	PH 2	90	3 1/2	5.2
05203913001	PH 2	150	6	5.2
05203914001	PH 2	200	8	5.2

Web link

https://products.wera.de/en/bits_holders_adaptors_the_range_of_bits_bits_for_phillips_screws_853_4_acr_sl.html

Wera - 853/4 ACR® SL
05203914001 - 4013288163196

Wera Werkzeuge GmbH
Korzter Straße 21-25
D-42349 Wuppertal
Tel: +49 (0)2 02 / 40 45-0
E-Mail: info@wera.de

X-ON Electronics

Largest Supplier of Electrical and Electronic Components

Click to view similar products for [Screwdrivers, Nut Drivers & Socket Drivers](#) category:

Click to view products by [Wera](#) manufacturer:

Other Similar products are found below :

[272012M](#) [27850](#) [CE-16-03400-00-HNDLE-TORQ](#) [323451-000](#) [HMM-HH](#) [WUVT-1-120AC-P](#) [00-8987-YWPP](#) [32024](#) [XW4Z-00B](#)
[49-22-4073](#) [96025](#) [96030](#) [96560](#) [96430](#) [31830](#) [92270](#) [96012](#) [96436](#) [96536](#) [92064](#) [72820](#) [96520](#) [92040](#) [96416](#) [96570](#) [72823](#) [96525](#) [96720](#)
[31832](#) [92020](#) [96523](#) [96510](#) [96427](#) [92073](#) [92052](#) [72905](#) [72741](#) [72663](#) [32061](#) [30751](#) [130203/TA](#) [KLEIN TOOLS SCREWDRIVER 4-IN-1](#)
[612020B](#) [35-045](#) [6951](#) [83](#) [9058](#) [9977](#) [EMF](#) [PTE6](#)