

Evo*SIGNAL* - LED Signal Beacon Mini, Midi, Maxi

Your benefits

The type of optical signals used depends on the application and the surroundings. With Evo*SIGNAL*, finding the right signal device has never been so easy: Almost all areas of application are optimally covered by only three sizes (signal lamps) with specific mounting adapters. The new modular, simple and clear standard solution. Evo*SIGNAL* is one of a kind.

- Simple and easy to use: Number of different articles reduced to 20% whilst retaining a full range
- Twin functions: Twin*LIGHT* and Twin*FLASH* unite two light pattern functions in one element. They can be remote-controlled via connection terminals and also used as escalation levels
- Poka Yoke: Simple and intuitive installation - incorrect installation is impossible
- Mini and Midi also available as Tri*COLOUR* variants
- Maxi Twin*FLASH* can be used as an attention-grabbing alternative to xenon strobes and rotating mirror beacons

Typical applications

Signal faults and statuses on machines and equipment, in building services engineering and in door and gate applications. All products are ideal for demanding indoor and outdoor applications.

- Mini – on installations with limited space
- Midi – signalling over medium distances (10–30 m)
- Maxi – signalling over long distances (> 20 m)

Installation options

- Base mounting
- M22/PG29 single-hole mounting
- Tube mounting
- Bracket mounting

Features

- Push-in connection terminals: Simple and permanently secure connection
- Fully compatible: Easy replacement of previous products
- Best-in-class equipment: Powerful, extremely robust (IP66), tamper-proof



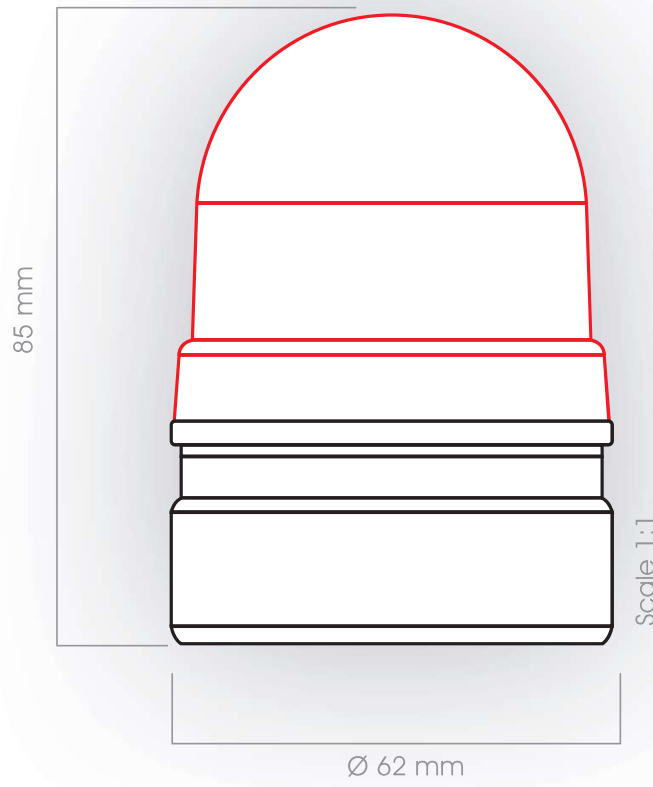
Mini

Midi

Maxi



EvoSIGNAL Mini - LED Signal Beacon



31
TwinLIGHT, TwinFLASH,
TriCOLOUR



6
Mounting adapter

Quick Finder EvoSIGNAL Mini - LED Signal Beacon



12 V AC/DC	
TwinLIGHT	TwinFLASH
Order no.	Order no.
260 110 74	260 120 74
260 210 74	260 220 74
260 310 74	260 320 74
260 410 74	260 420 74
260 510 74	260 520 74

24 V AC/DC	
TwinLIGHT	TwinFLASH
Order no.	Order no.
260 110 75	260 120 75
260 210 75	260 220 75
260 310 75	260 320 75
260 410 75	260 420 75
260 510 75	260 520 75

115-230 V AC	
TwinLIGHT	TwinFLASH
Order no.	Order no.
260 110 60	260 120 60
260 210 60	260 220 60
260 310 60	260 320 60
260 410 60	260 420 60
260 510 60	260 520 60



TriCOLOUR
260 430 75



+ Mounting adapter (compulsory!)

Base mounting



Order no.
260 700 01

Installation mounting M22



Order no.
260 700 03

Installation mounting PG 29



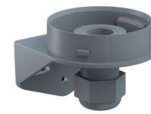
Order no.
260 700 04

Tube mounting



Order no.
260 700 05

Bracket mounting with cable gland

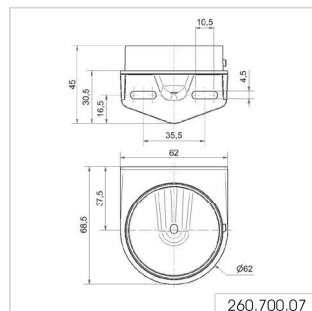
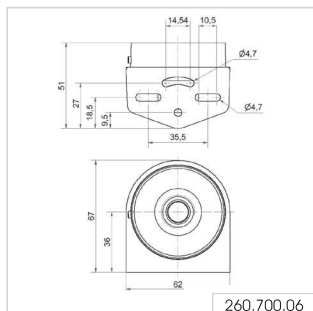
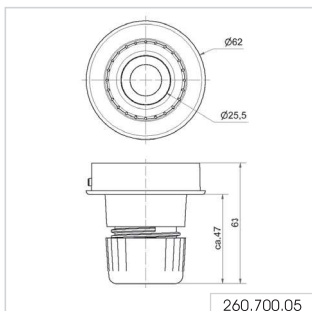
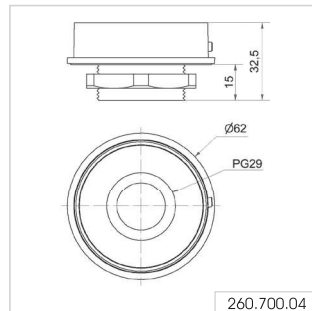
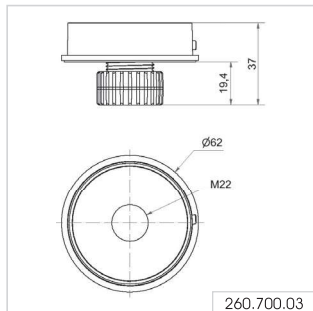
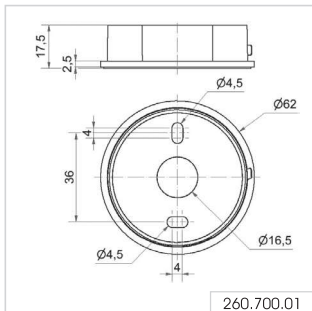


Order no.
260 700 06

Bracket mounting



Order no.
260 700 07





Tube mounting



Bracket mounting with cable gland

EvoSIGNAL Mini - LED Signal Beacon

① TECHNICAL SPECIFICATIONS/ORDER SPECIFICATIONS:

Dimensions (Ø x Height):	62 mm x 85 mm
Housing:	PC-ABS, grey, high impact
Lens:	PC, transparent
Fixing:	Base/Installation/Tube/Wall mounting
Cable entry:	Cable diameter 8-12 mm
Connection:	Push-In terminal max.1.5 mm ²
Flash/Blink frequency:	1 Hz

TwinLIGHT (Permanent/Blinking)

Voltage:	12 V AC/DC	24 V AC/DC	115-230 V AC
Current consumption:	≤ 90 mA	≤ 75 mA	≤ 45 mA
red	260 110 74	260 110 75	260 110 60
green	260 210 74	260 210 75	260 210 60
yellow	260 310 74	260 310 75	260 310 60
white	260 410 74	260 410 75	260 410 60
blue	260 510 74	260 510 75	260 510 60

TwinFLASH (Flash/EVS)

Voltage:	12 V AC/DC	24 V AC/DC	115-230 V AC
Current consumption:	≤ 70 mA	≤ 75 mA	≤ 45 mA
red	260 120 74	260 120 75	260 120 60
green	260 220 74	260 220 75	260 220 60
yellow	260 320 74	260 320 75	260 320 60
white	260 420 74	260 420 75	260 420 60
blue	260 520 74	260 520 75	260 520 60

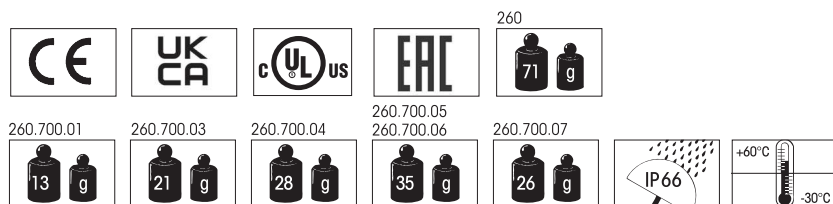
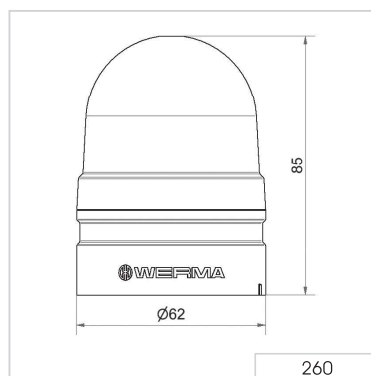
TriCOLOUR

Voltage:		24 V AC/DC	
Current consumption:		≤ 90 mA	
Order no.		260 430 75	

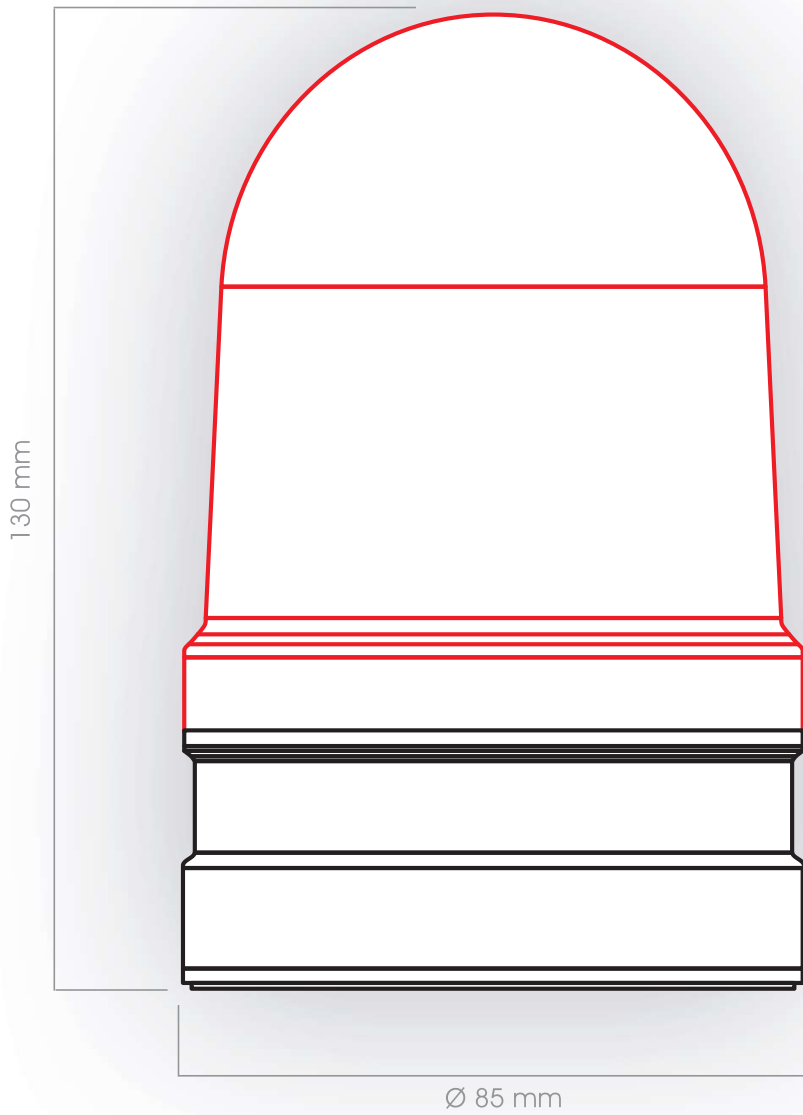
✂ ACCESSORIES (COMPULSORY!):

Base mounting	260 700 01
Installation mounting M22	260 700 03
Installation mounting PG 29	260 700 04
Tube mounting	260 700 05
Bracket mounting with cable gland	260 700 06
Bracket mounting	260 700 07

↔ TECHNICAL DIAGRAM:



EvoSIGNAL Midi - LED Signal Beacon



32
TwinLIGHT, TwinFLASH,
TriCOLOUR, Rotating Light



6
Mounting adapter









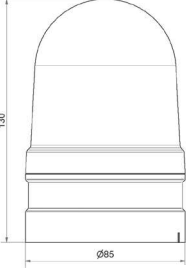
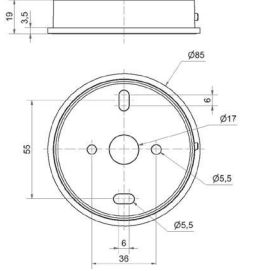
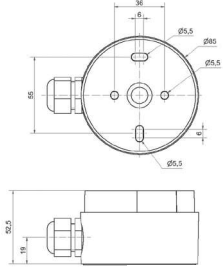
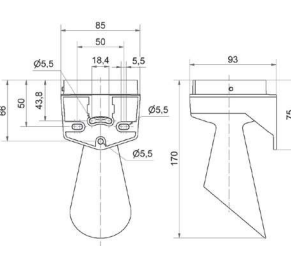
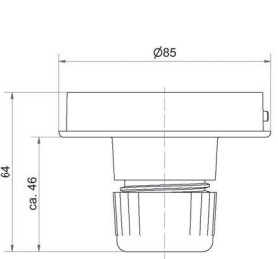
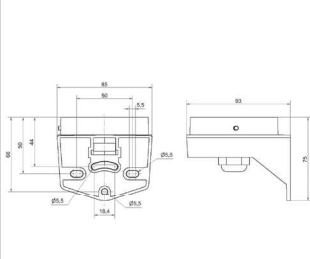
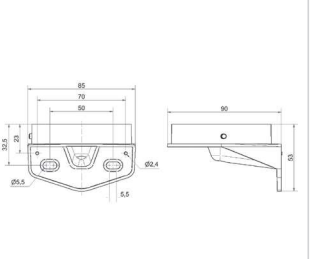
EvoSIGNAL Midi - LED Signal Beacon



12/24 V AC/DC			115-230 V AC		
TwinLIGHT	TwinFLASH	Rotating	TwinLIGHT	TwinFLASH	Rotating
Order no.	Order no.	Order no.	Order no.	Order no.	Order no.
 261 110 70	261 120 70	261 140 70	261 110 60	261 120 60	261 140 60
 261 210 70	261 220 70	261 240 70	261 210 60	261 220 60	261 240 60
 261 310 70	261 320 70	261 340 70	261 310 60	261 320 60	261 340 60
 261 410 70	261 420 70	261 440 70	261 410 60	261 420 60	261 440 60
 261 510 70	261 520 70	261 540 70	261 510 60	261 520 60	261 540 60
 TriCOLOUR			TriCOLOUR		
261 430 70			261 430 60		

+ Mounting adapter (compulsory!)

<p>Base mounting</p>  <p>Order no. 261 700 01</p>	<p>Base mounting with cable gland</p>  <p>Order no. 261 700 02</p>	<p>Tube mounting</p>  <p>Order no. 261 700 05</p>	<p>Bracket mounting with cable gland</p>  <p>Order no. 261 700 06</p>	<p>Bracket mounting</p>  <p>Order no. 261 700 07</p>	<p>Horn</p>  <p>Order no. 261 700 03</p>
--	---	--	--	---	---

 <p>261</p>	 <p>261.700.01</p>	 <p>261.700.02</p>	 <p>261.700.03</p>
 <p>261.700.05</p>	 <p>261.700.06</p>	 <p>261.700.07</p>	

EvoSIGNAL Midi - LED Signal Beacon



Bracket mounting



Tube mounting

① TECHNICAL SPECIFICATIONS/ORDER SPECIFICATIONS:

Dimensions (Ø x Height):	85 mm x 130 mm	
Housing:	PC/ABS, grey, high impact	
Lens:	PC, transparent	
Fixing:	Base/Tube/Wall mounting	
Cable entry:	Cable Diameter 8-12 mm	
Connection:	Push-In terminal max. 1.5 mm ²	

TwinLIGHT

Blinking/Flash frequency:	1 Hz	
Voltage:	12/24 V AC/DC	115-230 V AC
Current consumption:	≤ 185 mA	≤ 65 mA
red	261 110 70	261 110 60
green	261 210 70	261 210 60
yellow	261 310 70	261 310 60
white	261 410 70	261 410 60
blue	261 510 70	261 510 60

TwinFLASH

Blinking/Flash frequency:	1 Hz	
Voltage:	12/24 V AC/DC	115-230 V AC
Current consumption:	≤ 850 mA	≤ 110 mA
red	261 120 70	261 120 60
green	261 220 70	261 220 60
yellow	261 320 70	261 320 60
white	261 420 70	261 420 60
blue	261 520 70	261 520 60

Rotation

Rotation rate:	180 r.p.m.	
Voltage:	12/24 V AC/DC	115-230 V AC
Current consumption:	≤ 130 mA	≤ 110 mA
red	261 140 70	261 140 60
green	261 240 70	261 240 60
yellow	261 340 70	261 340 60
white	261 440 70	261 440 60
blue	261 540 70	261 540 60

TriCOLOUR

Voltage:	12/24 V AC/DC	115-230 V AC
Current consumption:	≤ 145 mA	≤ 50 mA
clear	261 430 70	261 430 60

✂ ACCESSORIES:

Base mounting	261 700 01
Base mounting with cable gland	261 700 02
Tube mounting	261 700 05
Bracket mounting with cable gland	261 700 06
Bracket mounting	261 700 07
Horn	261 700 03

↔ TECHNICAL DIAGRAM:

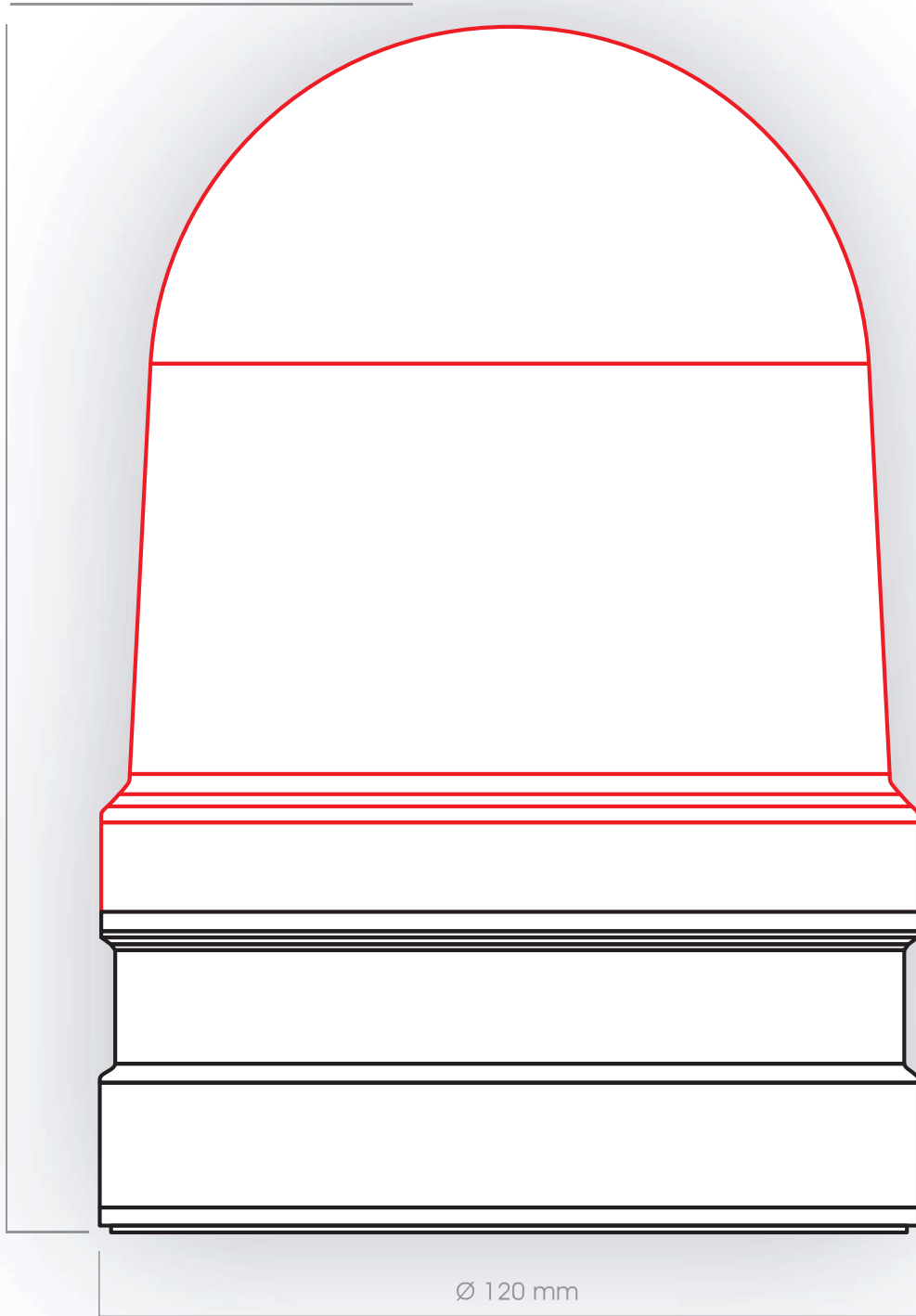
261 461 261.700.01



EvoSIGNAL Maxi - LED Signal Beacon



173 mm



Ø 120 mm

Scale 1:1



30
TwinLIGHT, TwinFLASH,
Rotating Light



4
Mounting adapter

Quick-Finder EvoSIGNAL Maxi - LED Signal Beacon



12/24 V AC/DC		
TwinLIGHT	TwinFLASH	Rotating
Order no.	Order no.	Order no.
262 110 70	262 120 70	262 140 70
262 210 70	262 220 70	262 240 70
262 310 70	262 320 70	262 340 70
262 410 70	262 420 70	262 440 70
262 510 70	262 520 70	262 540 70

115-230 V AC		
TwinLIGHT	TwinFLASH	Rotating
Order no.	Order no.	Order no.
262 110 60	262 120 60	262 140 60
262 210 60	262 220 60	262 240 60
262 310 60	262 320 60	262 340 60
262 410 60	262 420 60	262 440 60
262 510 60	262 520 60	262 540 60



+ Mounting adapter (compulsory!)

Base mounting



Order no.
262 700 01

Base mounting with cable exit at side



Order no.
262 700 02

Bracket mounting with cable gland

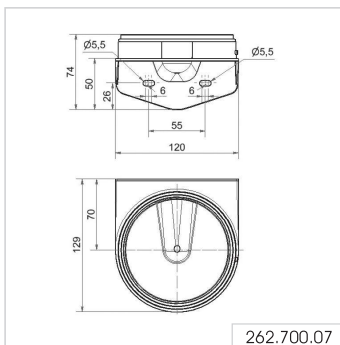
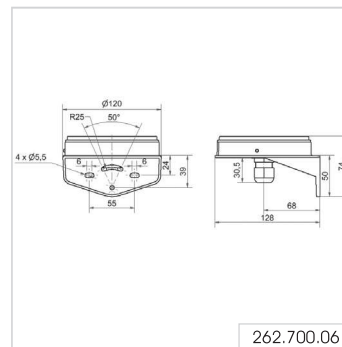
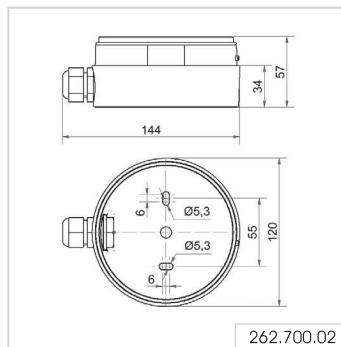
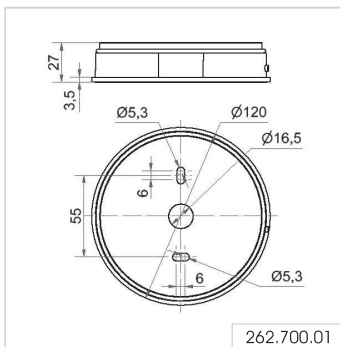


Order no.
262 700 06

Bracket mounting with concealed cable entry



Order no.
262 700 07





Bracket mounting with cable gland



Base mounting with cable exit at side

EvoSIGNAL Maxi - LED Signal Beacon

① TECHNICAL SPECIFICATIONS/ORDER SPECIFICATIONS:

Dimensions (Ø x Height):	120 mm x 173 mm
Housing:	PC/ABS
Lens:	PC, transparent
Fixing:	Base/Wall/Tube mounting
Cable entry:	Cable Diameter 8-12 mm
Connection:	Push-In terminal max. 1.5 mm ²
Rotation rate:	180 r.p.m.
Flash/Blinking frequency:	1 Hz

TwinLIGHT		
Voltage:	12/24 V AC/DC	115-230 V AC
Current consumption:	≤ 700 mA	≤ 165 mA
red	262 110 70	262 110 60
green	262 210 70	262 210 60
yellow	262 310 70	262 310 60
white	262 410 70	262 410 60
blue	262 510 70	262 510 60

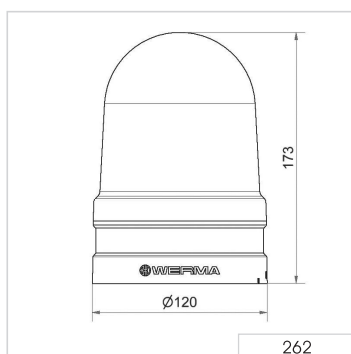
TwinFLASH		
Voltage:	12/24 V AC/DC	115-230 V AC
Current consumption:	≤ 760 mA	≤ 165 mA
red	262 120 70	262 120 60
green	262 220 70	262 220 60
yellow	262 320 70	262 320 60
white	262 420 70	262 420 60
blue	262 520 70	262 520 60

Rotating		
Voltage:	12/24 V AC/DC	115-230 V AC
Current consumption:	≤ 550 mA	≤ 170 mA
red	262 140 70	262 140 60
green	262 240 70	262 240 60
yellow	262 340 70	262 340 60
white	262 440 70	262 440 60
blue	262 540 70	262 540 60

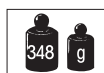
✂ ACCESSORIES:

Base mounting	262 700 01
Base mounting with cable exit at side	262 700 02
Bracket mounting with cable gland	262 700 06
Bracket mounting with concealed cable entry	262 700 07

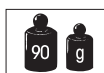
↔ TECHNICAL DIAGRAM:



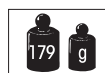
262



262.700.01



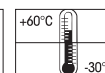
262.700.02



262.700.06



262.700.07



X-ON Electronics

Largest Supplier of Electrical and Electronic Components

Click to view similar products for [Industrial Panel Mount Indicators / Switch Indicators](#) category:

Click to view products by [Werma](#) manufacturer:

Other Similar products are found below :

[LW1A-P1-GD](#) [LW1A-P1-W](#) [01-931.3](#) [01-152.025](#) [A0142N5](#) [APD106LN-G](#) [ATN2100](#) [HW1A-L1-GD](#) [HW1A-P2-GL](#) [HW1X-BM411-R](#)
[HW2A-L1-GL](#) [HWAZ1N-OB](#) [PAMR25](#) [LSPD-120A](#) [LSPD-1Y](#) [LSPD-6A](#) [LSPD-6DA](#) [LSPD-6DW](#) [LSPD-6DY](#) [LSPD-6R](#) [LSPD-6W](#)
[AL6H-LK3-A](#) [AL6M-LK1-MG](#) [AP8M155-G](#) [APN106L-O](#) [21-931.9](#) [CPSLED24](#) [AVLN3LD-R](#) [AYLW4L-G](#) [5000211OPAQUELENS](#)
[5.49227.0071301](#) [HW2A-L1-GD](#) [HW2A-P1-GL](#) [LAY-1](#) [LB6P-1T04A](#) [LB6P-1T04G](#) [LSPD-1A](#) [LSPD-1W](#) [LSPD-6DG](#) [LSPD-6DR](#) [LSPD-](#)
[6Y](#) [51-951.5](#) [10-2312.1062](#) [10-2312.1065](#) [10-2312.1069](#) [10-2313.1069](#) [10-4613.3102B](#) [10-4613.3104B](#) [10-5309.3202](#) [10-6412.3162](#)