

This is how you can assemble your signal tower

ClassicLOOK

DesignLOOK

► **STEP 1**

Select the required optical or audible elements.

Order numbers can be found on page 5-6.



Audible Signal Element

- 8 tone siren
- 2 tone siren

Optical Signal Elements

- TwinLIGHT
- TwinFLASH
- LED Permanent light element multicolour



► **STEP 2**

Select the terminal element and appropriate mounting solution for your application.

Tube Mounting	Single Hole Mounting	Base Mounting
Terminal element Order no. 630 800 75	Terminal element Order no. 630 800 75	Terminal element Order no. 630 800 75
+	+	+
Adapter for tube mounting Order no. 630 830 00	Adapter for single hole mounting Order no. 630 820 00	Adapter for base mounting Order no. 630 810 00

Tube Mounting	Single Hole Mounting	Base Mounting
Terminal element Order no. 630 700 75	Terminal element Order no. 630 700 75	Terminal element Order no. 630 700 75
+	+	+
Adapter for tube mounting Order no. 630 730 00	Adapter for single hole mounting Order no. 630 720 00	Adapter for base mounting Order no. 630 710 00

► **STEP 3**

Optional:
Where appropriate, select the bracket.

Can be installed between the terminal element and the mounting adapter.

Extension tube	Extension tube	Extension tube
Extension tube Order no. 960 630 03	Extension tube Order no. 960 630 03	Extension tube Order no. 960 630 03

Extension tube	Extension tube	Extension tube
Extension tube Order no. 960 630 07	Extension tube Order no. 960 630 07	Extension tube Order no. 960 630 07

► **STEP 4**

Select tube extensions as required.

Bracket for assembly on aluminium profiles Order no. 960 630 02	Bracket for concealed cable entry Order no. 960 630 01

Bracket for assembly on aluminium profiles Order no. 960 630 06	Bracket for concealed cable entry Order no. 960 630 05

► **STEP 5**

Where appropriate, select the bracket and the contact box.

Further accessories can be found in our main catalogue or at www.werma.com.

630/634/635 KombiSIGN 40 - Optical Signal Elements



KombiSIGN 40 Signal Tower
in ClassicLOOK



KombiSIGN 40 Signal Tower
in DesignLOOK

- No more blind spots with the Omniview lens
- DesignLOOK and ClassicLOOK provide the appropriate signal tower for your application
- TwinLIGHT and TwinFLASH combine two light effects in one element

TECHNICAL SPECIFICATIONS:

Dimensions (Ø x Height): 40 mm x 58,6 mm
Lens: PC, transparent

TwinLIGHT

Light effects: LED Permanent or Blinking light, can be set via DIP-Switch
Voltage: 24 V AC/DC
Current consumption: 50 mA

TwinFLASH

Light effects: LED Flash light or EVS, can be set via DIP-Switch
Voltage: 24 V DC
Current consumption: 65 mA

Multicolour

Light effect: LED Permanent light
Colours: Red, yellow, green, blue, white, violet, turquoise
Voltage: 24 V DC
Current consumption: 100 mA

ORDER SPECIFICATIONS:

	<u>ClassicLOOK</u>	<u>DesignLOOK</u>
TwinLIGHT		
red	634 110 75	634 130 75
green	634 210 75	634 230 75
yellow	634 310 75	634 330 75
white	634 430 75	634 430 75
blue	634 510 75	634 530 75

Pre-assembled signal tower

green/yellow/red	639 300 01	639 301 01
------------------	------------	------------

TwinFLASH

red	634 120 55	634 140 55
green	634 220 55	634 240 55
yellow	634 320 55	634 340 55
white	634 440 55	634 440 55
blue	634 520 55	634 540 55

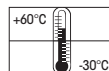
Multicolour

clear	634 450 55	634 450 55
-------	------------	------------

Available: 1st Quarter 2016



TECHNICAL DIAGRAMS: see page 20



630/634/635 KombiSIGN 40 - Audible Signal Elements



8 tone KombiSIGN 40 siren
in DesignLOOK

- 2 tone 85dB siren element
- Continuous or pulse tone adjustable via DIP switch
- High output 8 tone siren with 89 - 95dB adjustable via DIP switch
- 8 tones selectable

TECHNICAL SPECIFICATIONS:

Housing: PC

2 Tone Siren

Dimensions (Ø x Height): 40 mm x 45 mm

Sound output: 85 dB

Tone type: Continuous or pulse tone, can be set via DIP-Switch

Voltage: 24 V AC/DC

Current consumption: 80 mA

8 Tone Siren

Dimensions (Ø x Height): 40 mm x 68 mm

Sound output: 89-95 dB, can be set via DIP-Switch

Tone type: 8 tones, can be set via DIP-Switch

Voltage: 24 V AC/DC

Current consumption: 200 mA



ORDER SPECIFICATIONS:

	<u>ClassicLOOK</u>	<u>DesignLOOK</u>
2 Tone Siren	635 800 75	635 700 75
8 Tone Siren	635 810 75	635 710 75

Available: 1st Quarter 2016

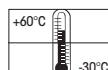
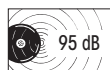


2 tone KombiSIGN 40 siren
in ClassicLOOK



TECHNICAL DIAGRAMS

see page 20 + 21



- The right solution for every installation



KombiSIGN 40 DesignLOOK assembly adapter for single hole mounting



KombiSIGN 40 ClassicLOOK assembly adapter for base mounting



KombiSIGN 40 DesignLOOK assembly adapter for tube mounting

TECHNICAL SPECIFICATIONS:

Terminal element

Dimensions (Ø x Höhe):	40 mm x 40 mm
Housing:	PC
Fixing:	Base mounting, Single hole mounting, Tube mounting
Seal:	Pre-mounted with each module
Number of modules possible:	Max. 5
Voltage:	24 V AC/DC

Adapter for base mounting

Dimensions (Ø x Height):	40 mm x 30 mm
Material:	PC

Adapter single hole mounting

Dimensions (Ø x Height):	40 mm x 54 mm
Material:	PC

Adapter tube mounting

Dimensions (Ø x Height):	40 mm x 75 mm
Material:	PC

ORDER SPECIFICATIONS:

	ClassicLOOK	DesignLOOK
Terminal element	630 800 75	630 700 75
Adapter for base mounting	630 810 00	630 710 00
Adapter for single hole mounting	630 820 00	630 720 00
Adapter for tube mounting	630 830 00	630 730 00

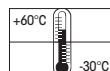
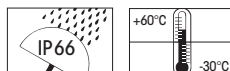
Available: 1st Quarter 2016

ACCESSORIES:

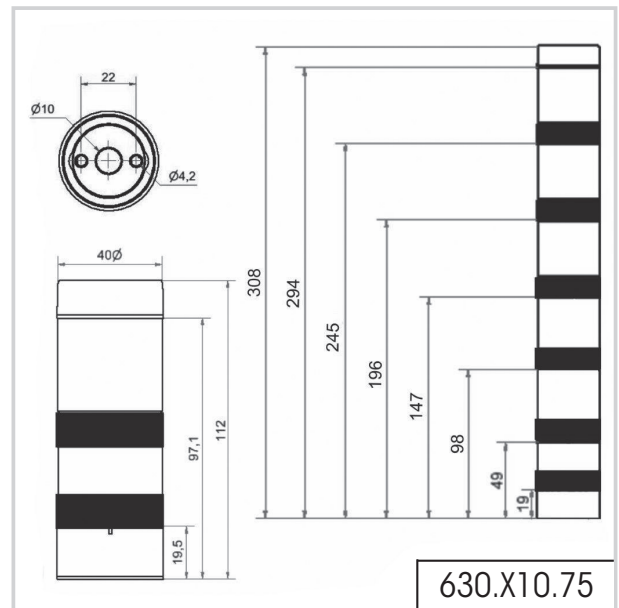
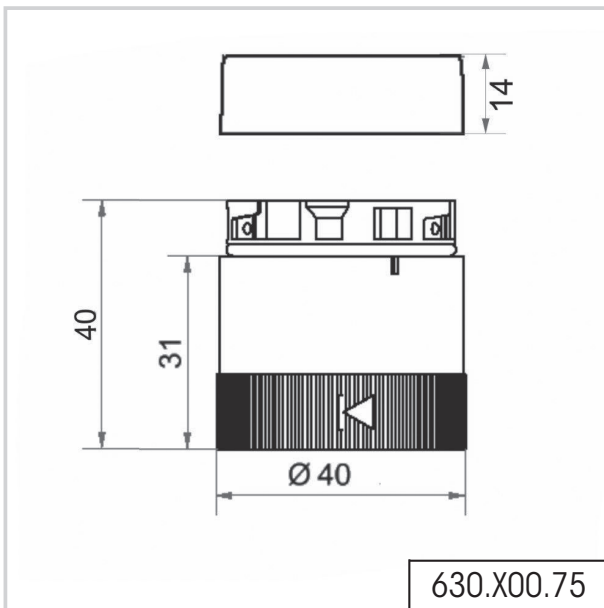
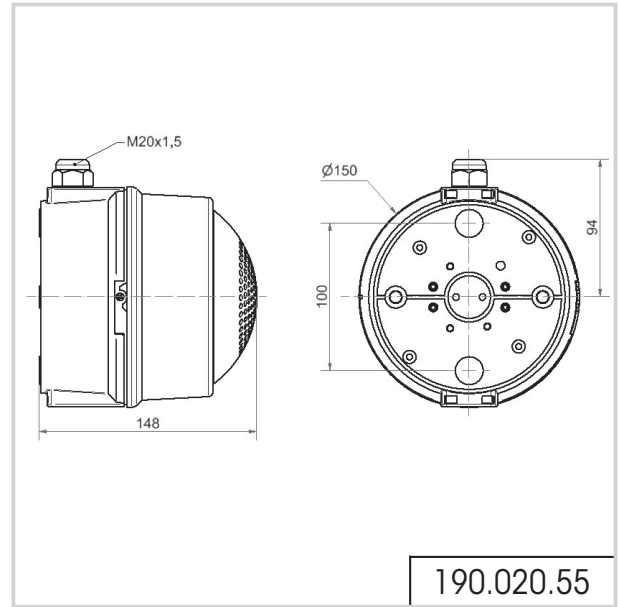
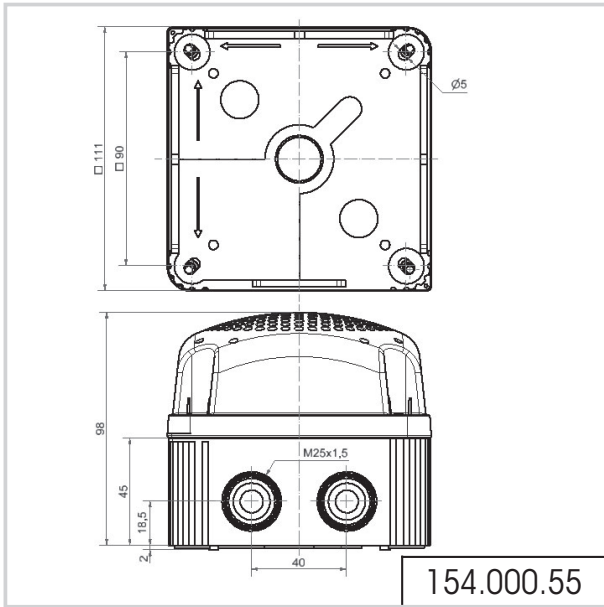
	ClassicLOOK	DesignLOOK
Bracket for assembly on aluminium profiles	960 630 02	960 630 06
Bracket for concealed cable entry	960 630 01	960 630 05

TECHNICAL DIAGRAMS

see page 19 + 20 + 23



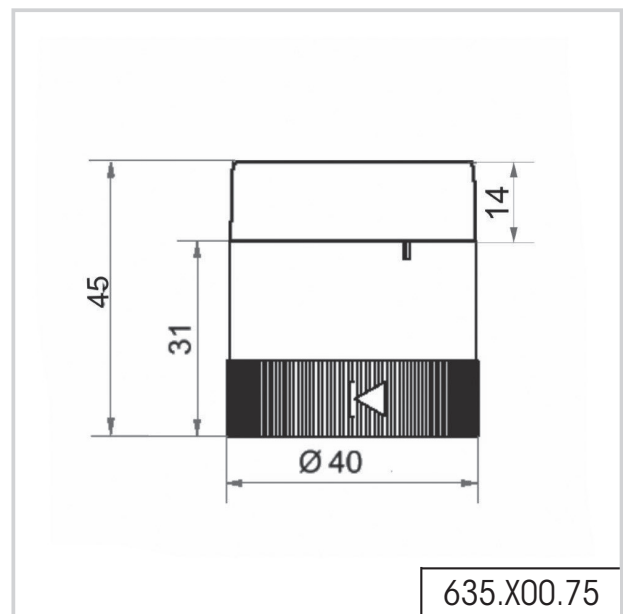
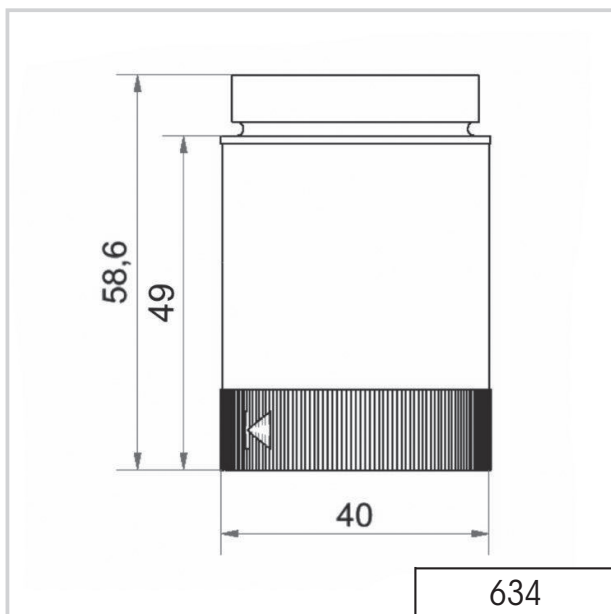
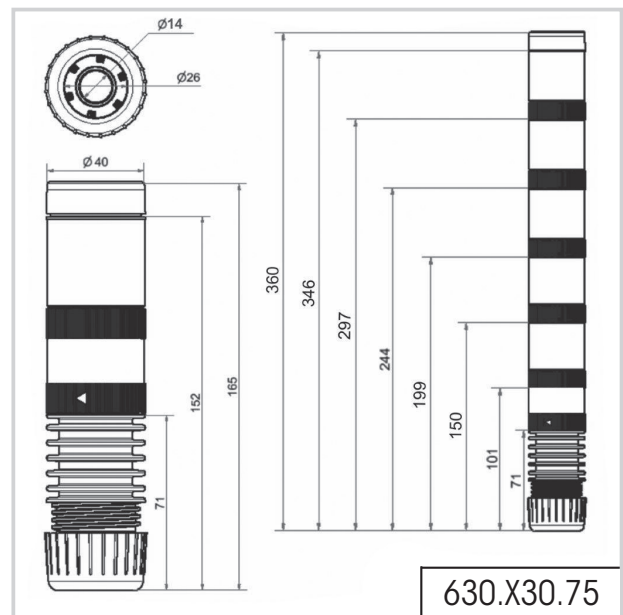
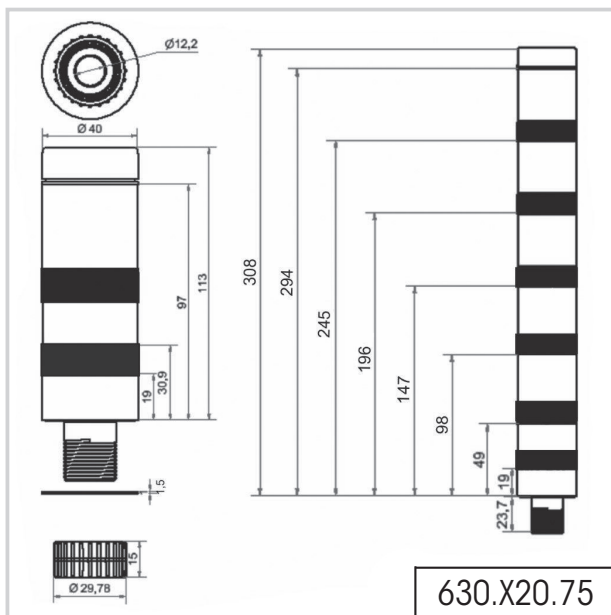
Technical Diagrams



ADDITIONAL INFORMATION:

You are welcome to request the technical diagrams in digital form. The relevant 3D models, instruction leaflets and connection diagrams can be obtained from us or downloaded from our homepage at any time.

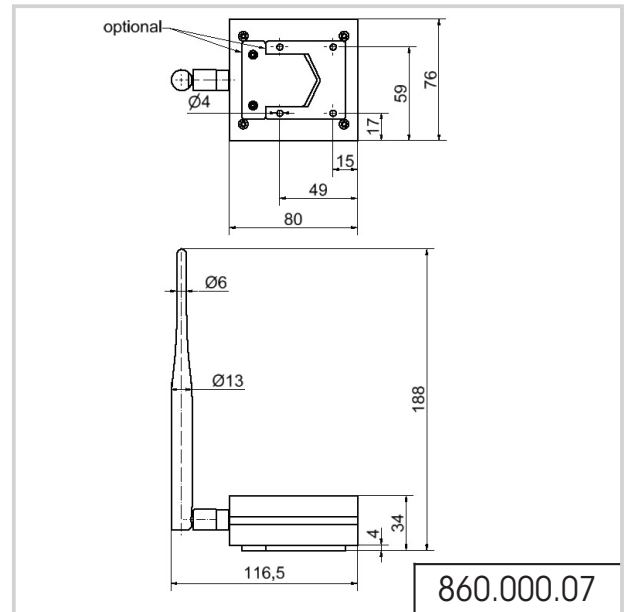
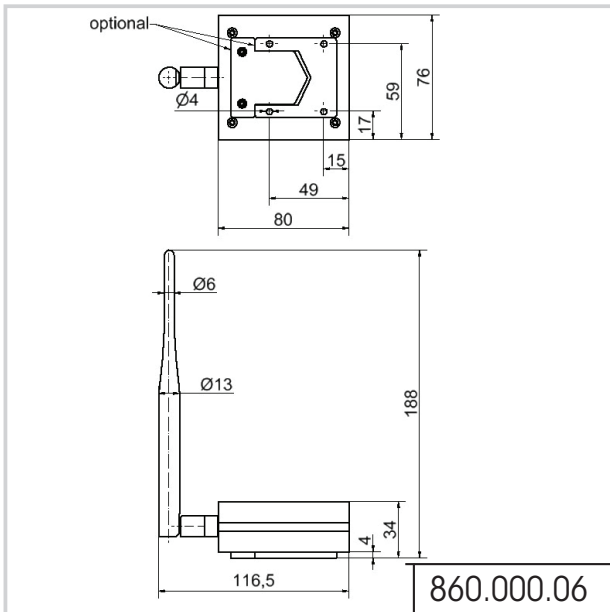
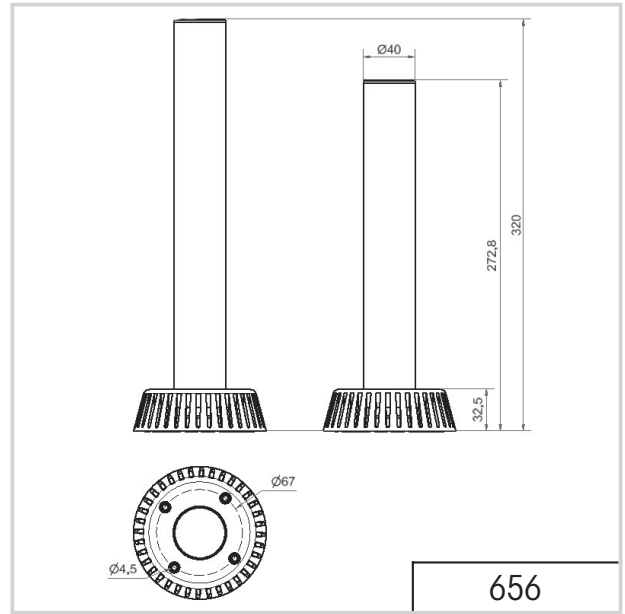
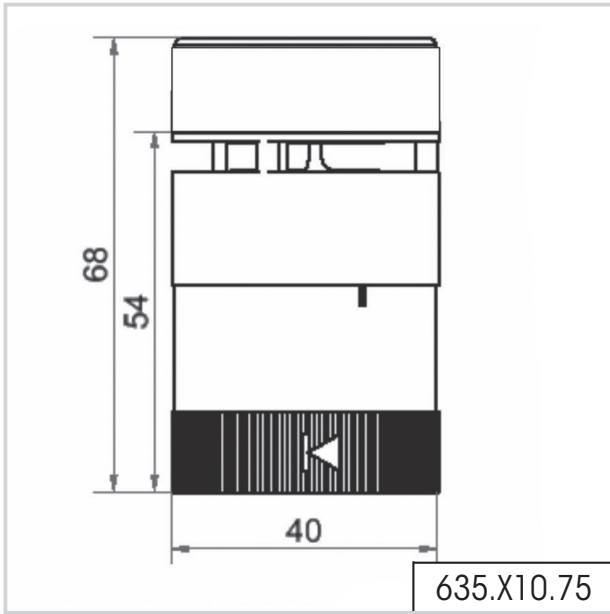
Technical Diagrams



ADDITIONAL INFORMATION:

You are welcome to request the technical diagrams in digital form. The relevant 3D models, instruction leaflets and connection diagrams can be obtained from us or downloaded from our homepage at any time.

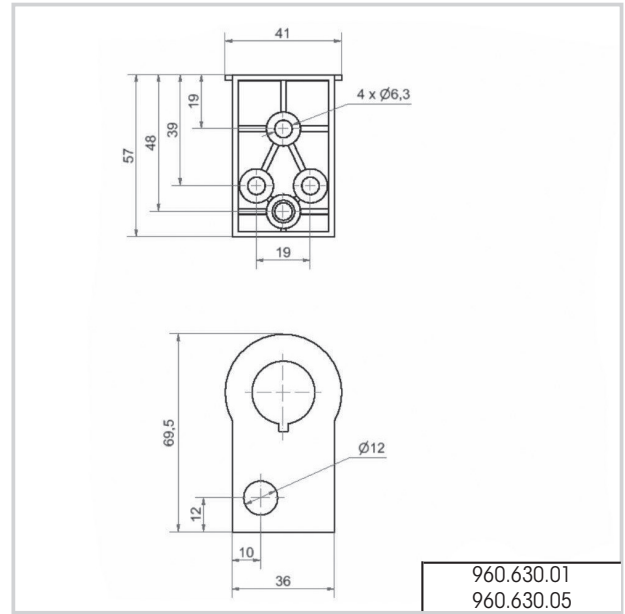
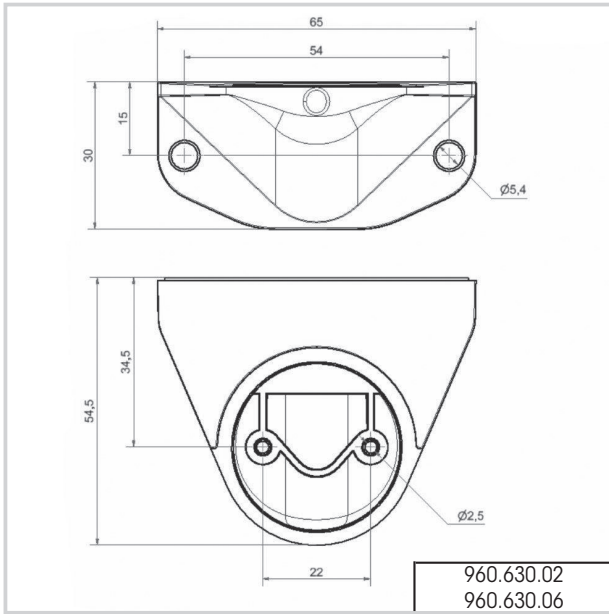
Technical Diagrams



ADDITIONAL INFORMATION:

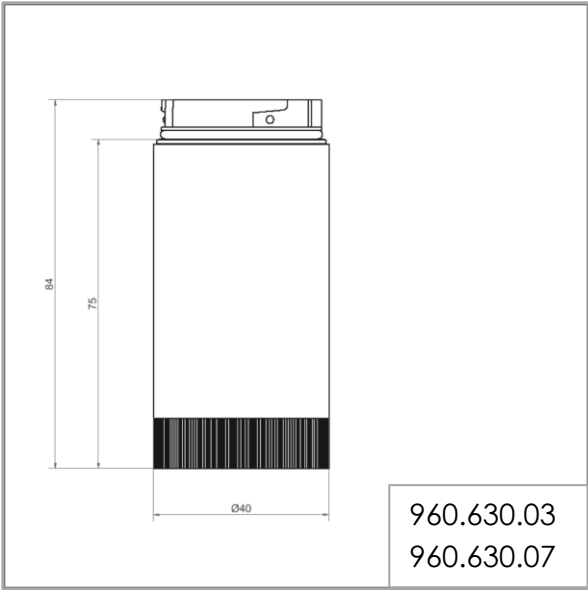
You are welcome to request the technical diagrams in digital form. The relevant 3D models, instruction leaflets and connection diagrams can be obtained from us or downloaded from our homepage at any time.

Technical Diagrams



ADDITIONAL INFORMATION:

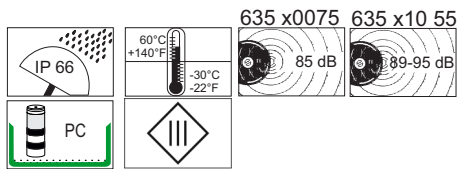
You are welcome to request the technical diagrams in digital form. The relevant 3D models, instruction leaflets and connection diagrams can be obtained from us or downloaded from our homepage at any time.



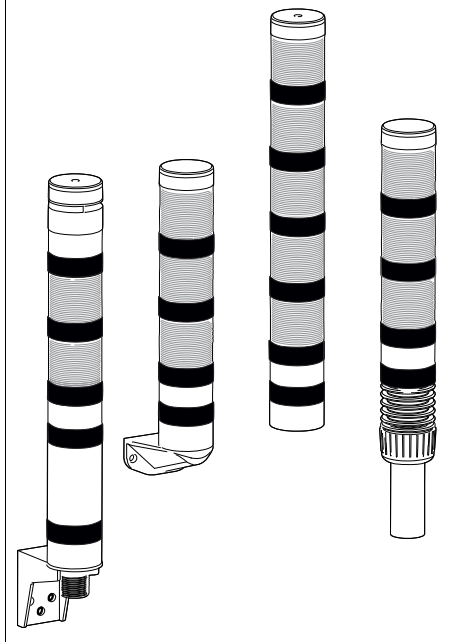
310.630.001.1015

WERMA SIGNALTECHNIK 630,634,635

EN 60947-5-1



KombiSIGN 40



310.630.001.1015 © D

WERMA
SIGNALTECHNIK

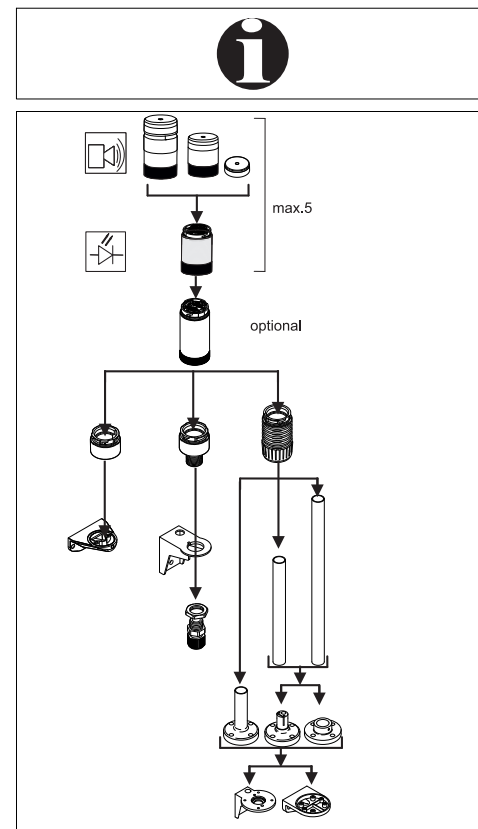
WERMA Signaltechnik GmbH + Co. KG
D-78604 Rietheim-Weilheim
Telefon +49 (0)7424 / 9557-0
Telefax +49 (0)7424 / 9557-44
info@werma.com
www.werma.com

! DANGER

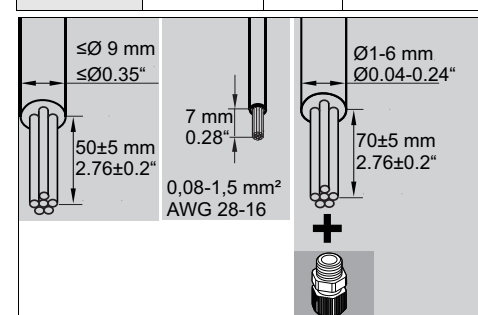
(D) Anschluss **ausschließlich** durch ausgebildete Elektro-Fachkräfte.
 (GB) Electrical connection is to be made by trained electrical specialists **only**.
 (F) Le branchement doit **uniquement** être effectué par des professionnels.
 (I) Il collegamento deve essere eseguito **solo** da elettricisti specializzati.
 (E) La conexión **sólo** debe ser realizada por electricistas debidamente formados.
 (PT) A ligação deve ser feita **exclusivamente** por profissional elétrico especializado.
 (NL) De aansluiting mag **enkel** gebeuren door erkende vakmensen.
 (CZ) Připojení smí **provádět** pouze kvalifikovaný personál.
 (PL) Podłączenie **wyłącznie** przez specjalistów-elektryków.
 (FI) Liittäminen kuuluu **ainoastaan** koulutettujen sähköalan ammattilaisten tehtäviin.
 (RUS) Подключение проводов только специалистом-электриком.
 (TR) Bağlantı **sadece** eğitimli elektrik teknisyenleri tarafından yapılmalıdır.
 (CN) 布线需由专业电工执行

! DANGER
EVS 634 x40 75

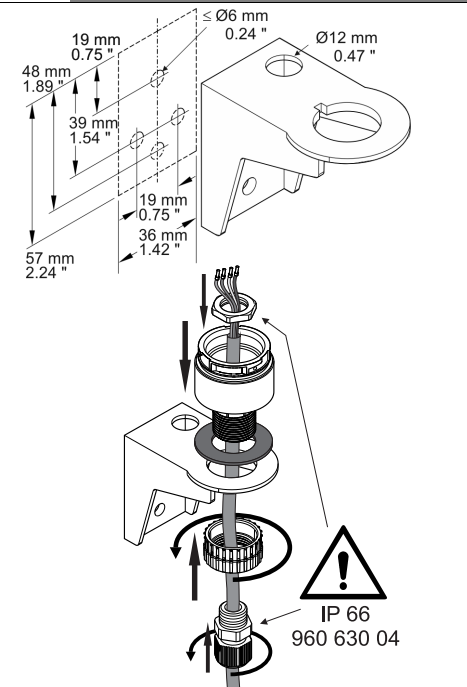
(D) Bei Epilepsie ungeeignet!
 (GB) Unsuitable for epilepsy sufferers.
 (F) Ne convient pas aux personnes souffrant d'épilepsie.
 (I) Inadatto per epilettici.
 (E) Inadecuado para epiléticos.
 (PT) Não aconselhave! a pessoas que sofrem de Epilepsia.
 (NL) Niet geschikt voor epileptici.
 (CZ) Nevhodné pro epileptiky.
 (PL) Nie stosować przy zchorzeniu padaczki.
 (FI) Ei soveltu epilettikoille.
 (RUS) Не подходит для страдающих эпилепсией.
 (TR) Epilepsi hastalığı olanların kullanmaması önerilir.
 (CN) 不适用于癫痫病患者



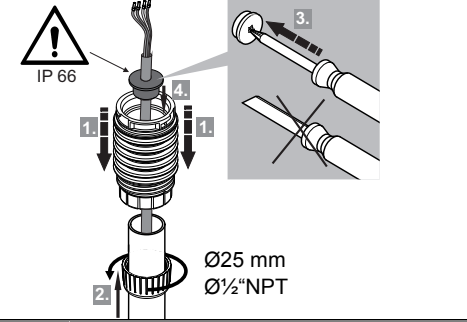
	630 x00 75	24V ≈	
TwinLIGHT	634 x10 75 634 x30 75	24V ≈ 24V ≈	I _{max} 50 mA I _{max} 50 mA
TwinFLASH	634 x20 55 634 x40 55	24V = 24V =	I _{max} 65 mA I _{max} 65 mA
Multicolour	634 450 55	24 V =	I _{max} 100 mA
Sounder	635 x00 75 635 x10 75	24V ≈ 24V ≈	I _{max} 80 mA I _{max} 200 mA



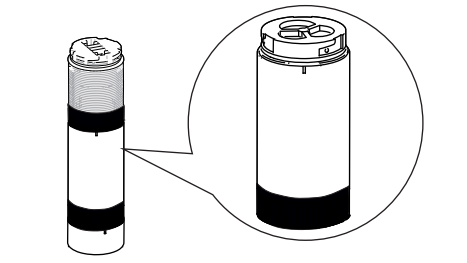
4 630 720 00, 630 820 00
+ 960 630 02, 960 630 06



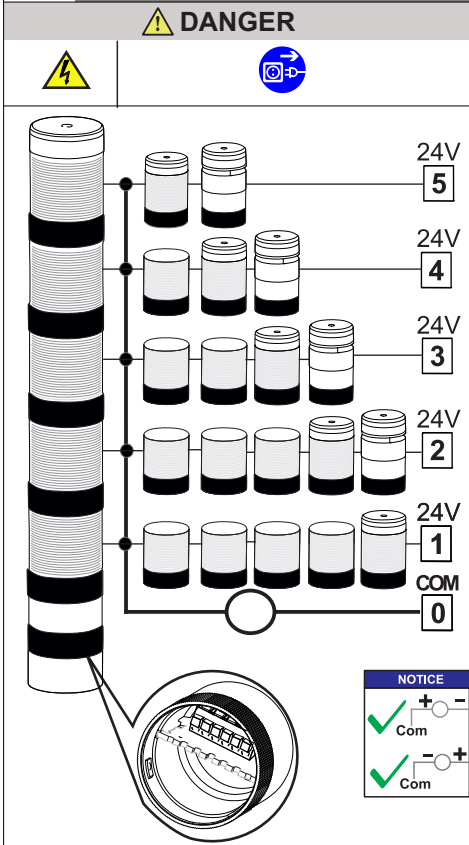
5 630 730 00
630 830 00



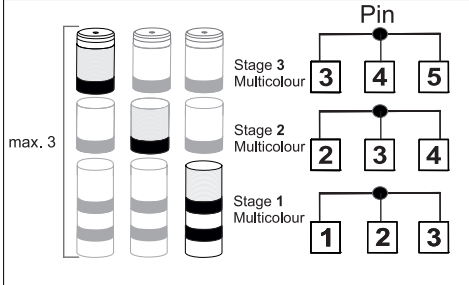
6 Optional
960 630 0x



7 630 700 00
630 800 00

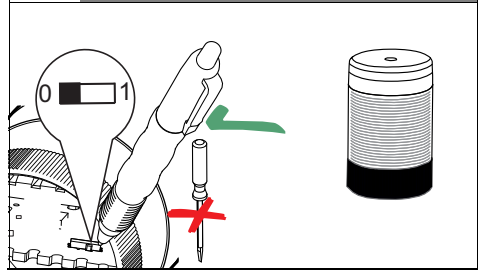


NOTICE
Multicolour 634 450 55



Colour (RD)	24V		
Colour (GN)		24V	
Colour (YE)	24V	24V	
Colour (BU)			24V
Colour (WH)	24V	24V	24V
Colour (CYAN)		24V	24V
Colour (VIOL)	24V		24V

7a 634



TwinLIGHT 634 x10 75
634 x30 75

Dip-Schalter Dip-Switch	Leuchtbild Light effect
1	Dauerlicht Permanent light
0	Blinklicht Blinking light

TwinFLASH 634 x20 55
634 x40 55

Dip-Schalter Dip-Switch	Leuchtbild Light effect
0	Blitzlicht Flashing light
1	EVS

X-ON Electronics

Largest Supplier of Electrical and Electronic Components

Click to view similar products for [werma](#) manufacturer:

Other Similar products are found below :

[64140000](#) [64330068](#) [64411068](#) [64751075](#) [14095060](#) [96000002](#) [42532068](#) [64310055](#) [64712055](#) [64722055](#) [64732055](#) [82810055](#) [85320055](#)
[57005258](#) [63081000](#) [85310060](#) [64752055](#) [64411075](#) [64711075](#) [64721075](#) [42432075](#) [21010000](#) [69831075](#) [85311060](#) [82830055](#) [20310000](#)
[64421075](#) [57005267](#) [58400068](#) [82620000](#) [96000014](#) [20410075](#) [42412075](#) [82610000](#) [82630000](#) [64731075](#) [57005268](#) [64150000](#) [21330000](#)
[69821075](#) [58015255](#) [44430075](#) [64589075](#) [97584091](#) [14095050](#) [42432068](#) [63082000](#) [85330055](#) [13400075](#) [15010055](#)