

This is how to select your signal tower

► STEP 1

Select the signal tower of your choice with or without buzzer, with the appropriate connection, housing colour, voltage and number of tiers.

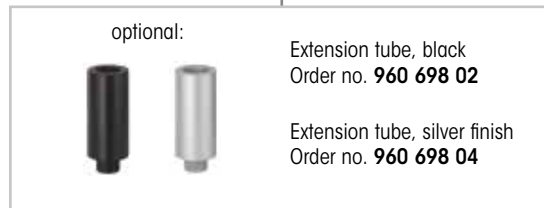
Part numbers can be found on pages 74 and 75.



- 2-5 tiers
- With or without buzzer
- M12 plug or cable
- Black or silver finish

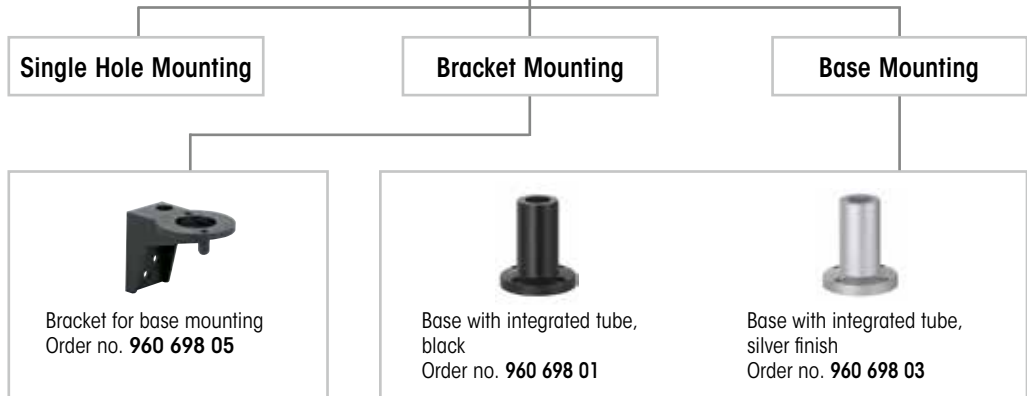
► STEP 2

Select up to two extension tubes.



► STEP 3

Select the appropriate fixing accessories for your application, using for example a tube and base or a bracket mount.



► STEP 4

Where appropriate, select the bracket and the contact box.



TIP

The Signal Devices Site on the internet: www.werma.com

On the signal tower pages of www.werma.com use the selection tool „Configurator“ to select the Kompakt 37 signal tower according to your requirements. With the help of intuitive questions and pictures you will be able to make your choice with just a few mouse clicks.



NEW



Signal Towers · completely pre-assembled · KOMPAKT 37



- Pre-assembled signal tower with max. 5 tiers
- With or without buzzer
- LED permanent light
- Available with M12 plug or cable connection
- Also available in metal finish and clear lens



TECHNICAL SPECIFICATIONS:

Life duration up to 50,000 hrs

Dimensions (Ø x Height):	2 tier: 37.5 mm x 127.5 mm 3 tier: 37.5 mm x 161.5 mm 4 tier: 37.5 mm x 195.5 mm 5 tier: 37.5 mm x 229.5 mm (Protrusion from panel)
Housing:	PC
Fixing:	Single hole mounting for Ø 22.5 mm (M22 x 1.5 mm) Base or bracket mounting (accessory)
Connection:	Cable connection: Cable, 2 m long, Plug connection: M12 Plug (2/3 tier: 5 pole; 4/5 tier: 8 pole)
Current consumption:	50 mA per tier / buzzer
Nut and seal included in assembly.	



ORDER SPECIFICATIONS:

KOMPAKT 37 with coloured lens and buzzer (1))

		Connection	24 V AC/DC	12 V AC/DC
2 tier	green/red	Cable	699 120 75	699 120 74
	yellow/red	Cable	699 130 75	699 130 74
	green/red	Plug	699 220 75	699 220 74
	yellow/red	Plug	699 230 75	699 230 74
3 tier	green/yellow/red	Cable	699 110 75	699 110 74
	green/yellow/red	Plug	699 210 75	699 210 74
4 tier	clear/green/yellow/red	Cable	699 140 75	
	blue/green/yellow/red	Cable	699 150 75	
	clear/green/yellow/red	Plug	699 240 75	
	blue/green/yellow/red	Plug	699 250 75	
5 tier	blue/clear/green/yellow/red	Cable	699 160 75	
	blue/clear/green/yellow/red	Plug	699 260 75	

KOMPAKT 37 with coloured lens and without buzzer

		Connection	24 V AC/DC	12 V AC/DC
2 tier	green/red	Cable	698 120 75	698 120 74
	yellow/red	Cable	698 130 75	698 130 74
	green/red	Plug	698 220 75	698 220 74
	yellow/red	Plug	698 230 75	698 230 74
3 tier	green/yellow/red	Cable	698 110 75	698 110 74
	green/yellow/red	Plug	698 210 75	698 210 74
4 tier	clear/green/yellow/red	Cable	698 140 75	
	blue/green/yellow/red	Cable	698 150 75	
	clear/green/yellow/red	Plug	698 240 75	
	blue/green/yellow/red	Plug	698 250 75	
5 tier	blue/clear/green/yellow/red	Cable	698 160 75	
	blue/clear/green/yellow/red	Plug	698 260 75	



Two tier Kompakt 37 with integral tube and base (accessory)



Three tier Kompakt 37 with bracket (accessory)

12 V-Versions: available in May 2014

NEW



The height of the KOMPAKT 37 can be increased by max. 160 mm with the use of extension tubes, ensuring optimum visibility



ORDER SPECIFICATIONS:

KOMPAKT 37 in silver finish with clear lens and buzzer

		Connection	24 V AC/DC	12 V AC/DC
2 tier	green/red	Cable	699 320 75	699 320 74
	yellow/red	Cable	699 330 75	699 330 74
	green/red	Plug	699 420 75	699 420 74
	yellow/red	Plug	699 430 75	699 430 74
3 tier	green/yellow/red	Cable	699 310 75	699 310 74
	green/yellow/red	Plug	699 410 75	699 410 74
4 tier	clear/green/yellow/red	Cable	699 340 75	
	blue/green/yellow/red	Cable	699 350 75	
	clear/green/yellow/red	Plug	699 440 75	
	blue/green/yellow/red	Plug	699 450 75	
5 tier	blue/clear/green/yellow/red	Cable	699 360 75	
	blue/clear/green/yellow/red	Plug	699 460 75	

KOMPAKT 37 in silver finish with clear lens and without buzzer

		Connection	24 V AC/DC	12 V AC/DC
2 tier	green/red	Cable	698 320 75	698 320 74
	yellow/red	Cable	698 330 75	698 330 74
	green/red	Plug	698 420 75	698 420 74
	yellow/red	Plug	698 430 75	698 430 74
3 tier	green/yellow/red	Cable	698 310 75	698 310 74
	green/yellow/red	Plug	698 410 75	698 410 74
4 tier	clear/green/yellow/red	Cable	698 340 75	
	blue/green/yellow/red	Cable	698 350 75	
	clear/green/yellow/red	Plug	698 440 75	
	blue/green/yellow/red	Plug	698 450 75	
5 tier	blue/clear/green/yellow/red	Cable	698 360 75	
	blue/clear/green/yellow/red	Plug	698 460 75	

12 V-Versions: available in May 2014



ACCESSORIES:

Base with integrated tube, black	960 698 01
Extension tube, black	960 698 02
Base with integrated tube, silver finish	960 698 03
Extension tube, silver finish	960 698 04
Fixing bracket	960 698 05
Cable 5 m with M12 plug (5 pole)	960 693 05
Cable 5 m with M12 plug (8 pole)	960 000 47
Cable 5 m with M12 connector and plug (8 pole)	960 000 46

Further accessories can be found on page 79.



TECHNICAL DIAGRAMS:

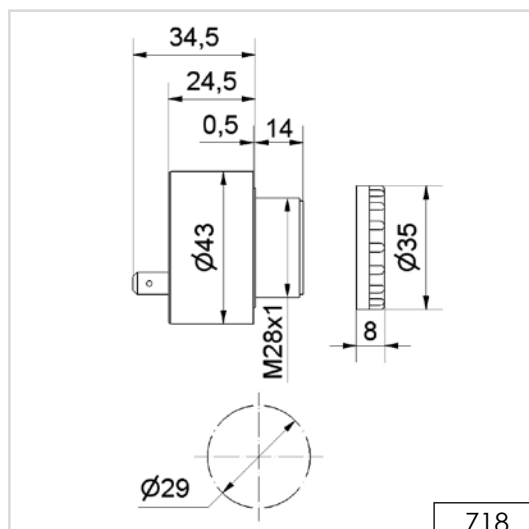
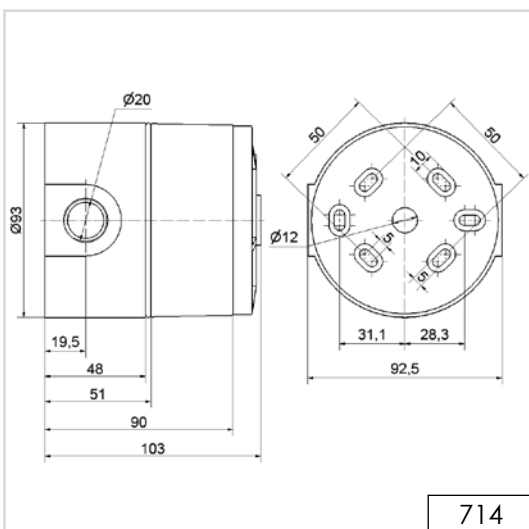
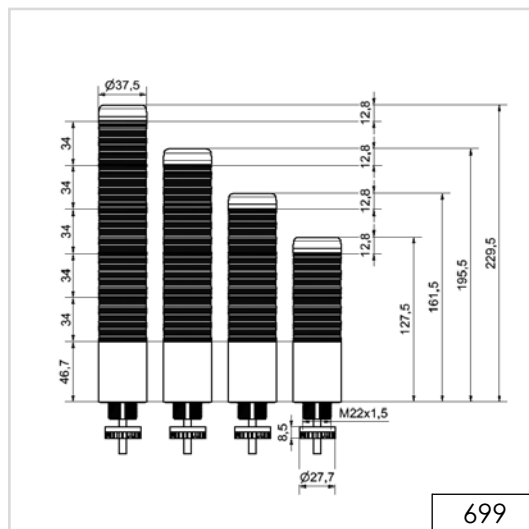
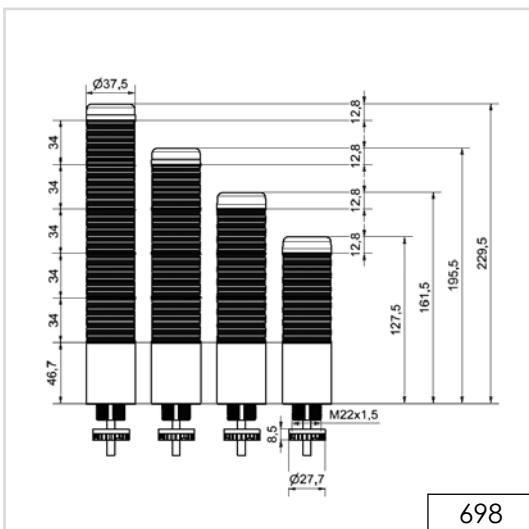
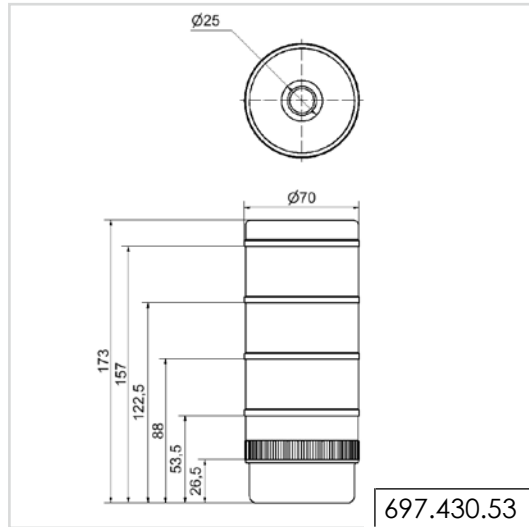
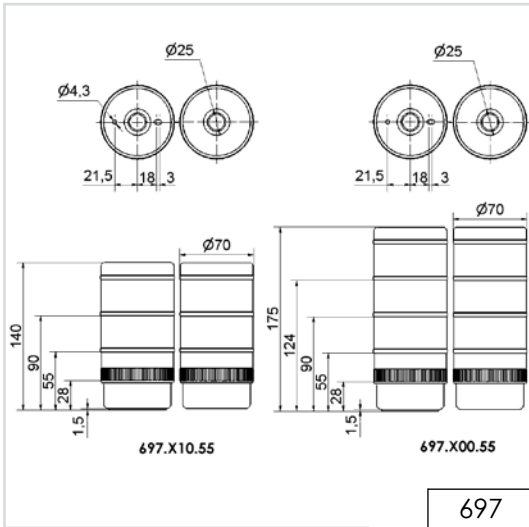
see page 312



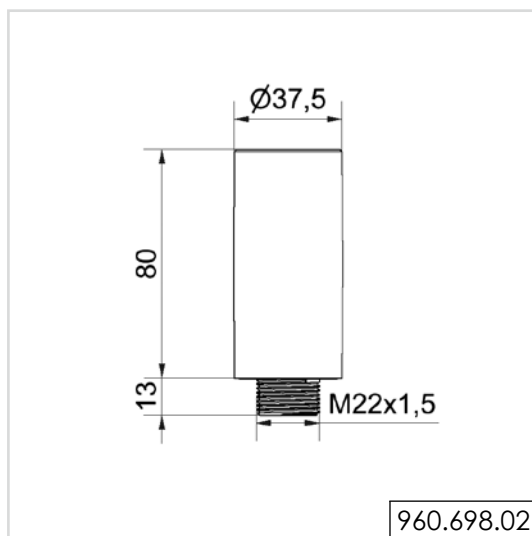
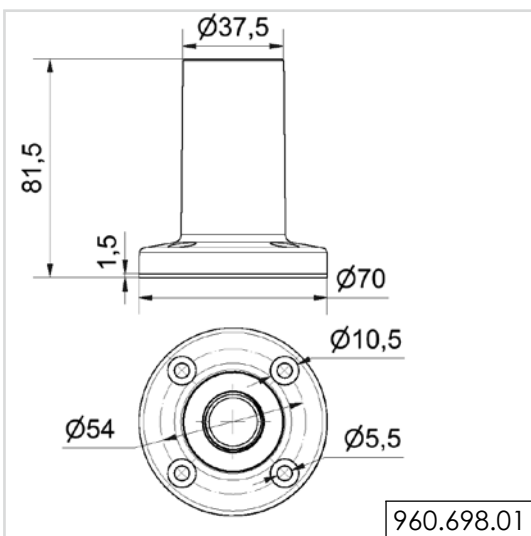
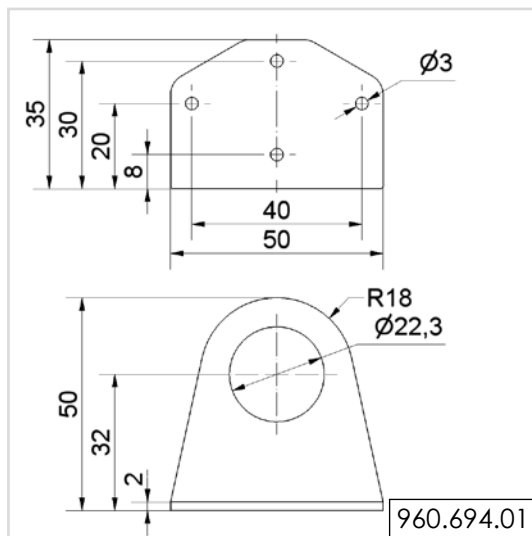
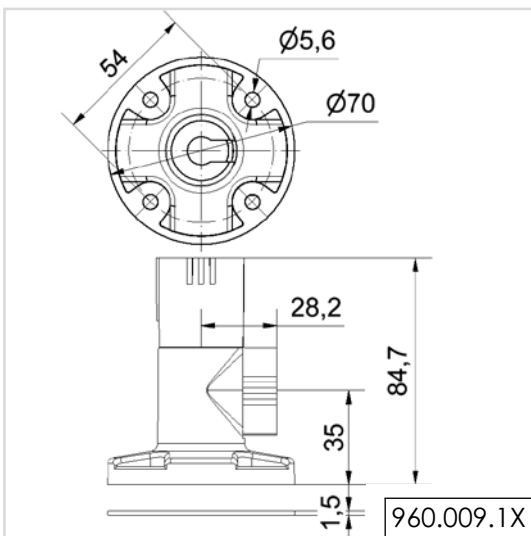
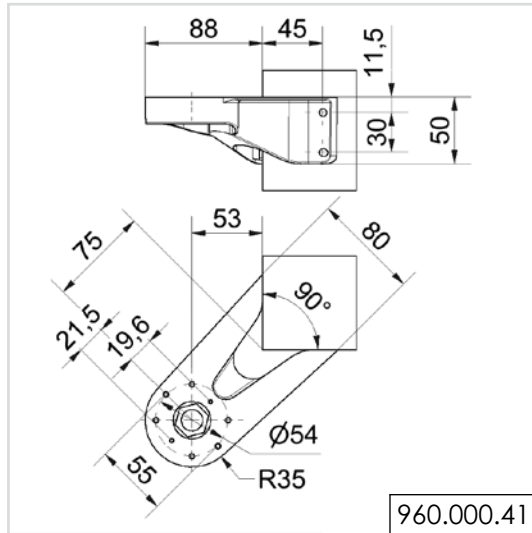
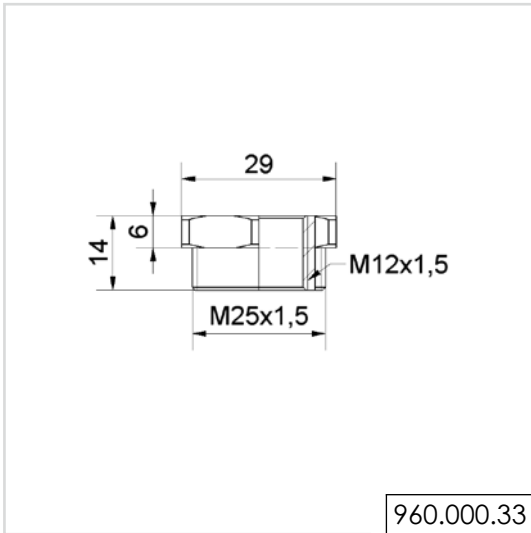
Signal Towers · completely pre-assembled · KOMPAKT 37



Technical Diagrams



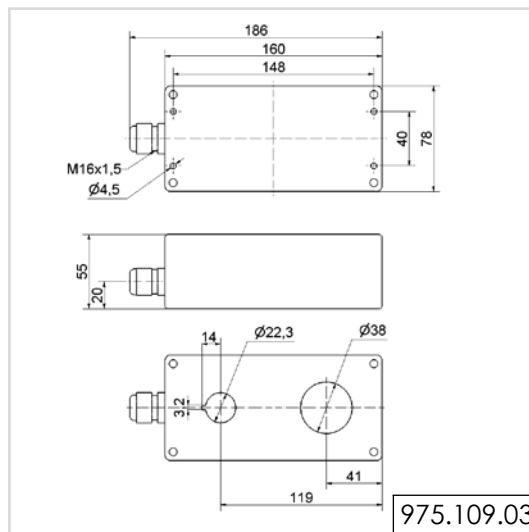
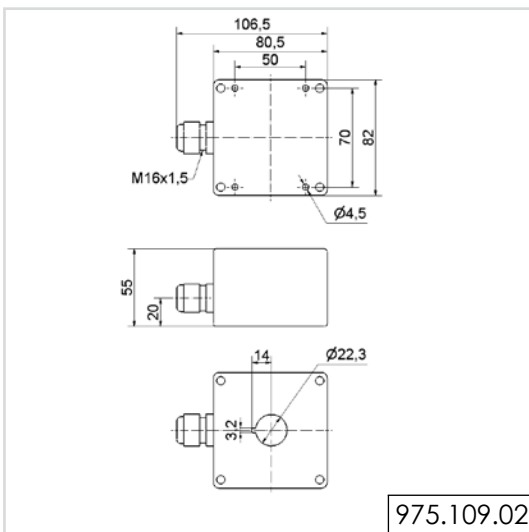
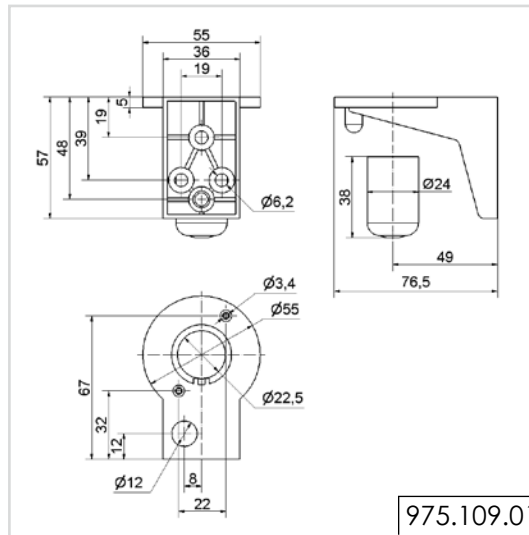
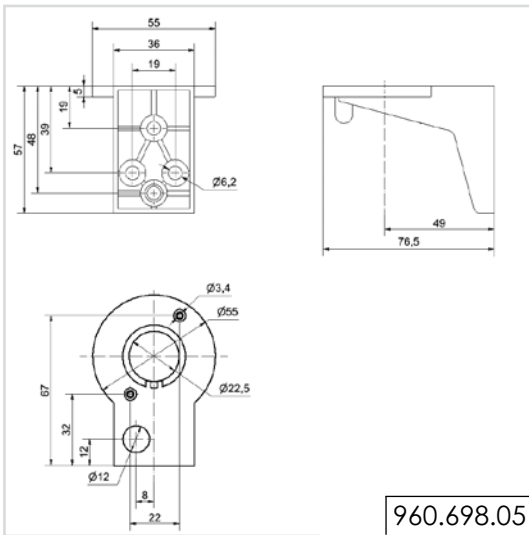
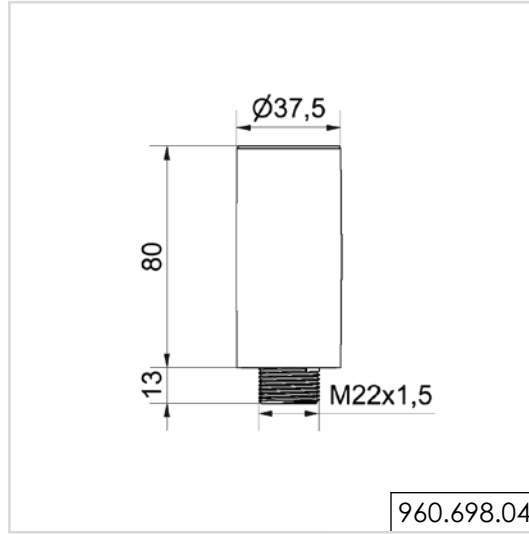
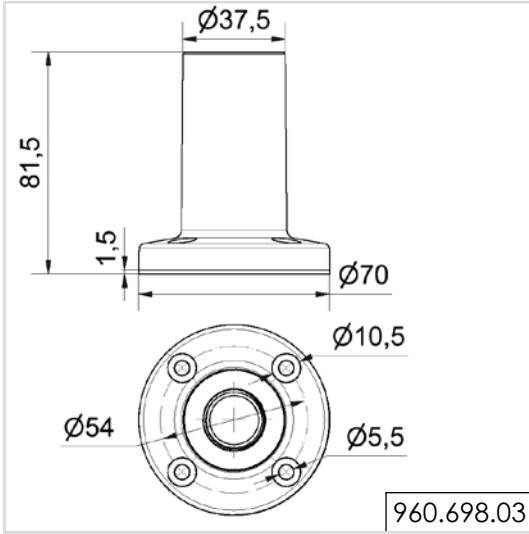
Technical Diagrams



! ADDITIONAL INFORMATION:

You are welcome to request the technical diagrams in digital form. The relevant 3D models, instruction leaflets and connection diagrams can be obtained from us or downloaded from our homepage at any time.

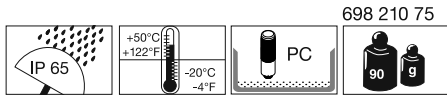
Technical Diagrams



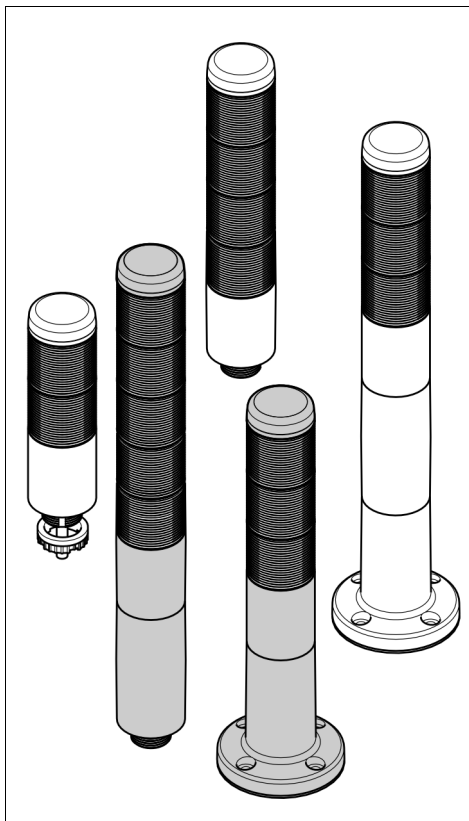
Technical Diagrams

WERMA SIGNALTECHNIK **698/699**

EN 60947-5-1



699 110 75



310.698.001.1013

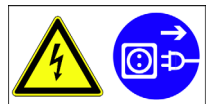
© D

WERMA SIGNALTECHNIK

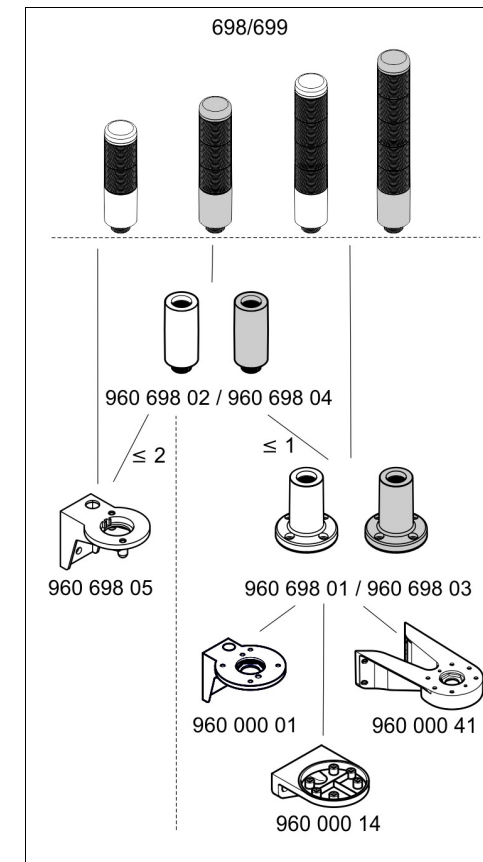
WERMA Signaltechnik GmbH + Co. KG
 D-78604 Rietheim-Weilheim
 Telefon +49 (0)7424 / 9557-0
 Telefax +49 (0)7424 / 9557-44
 info@werma.com
 www.werma.com

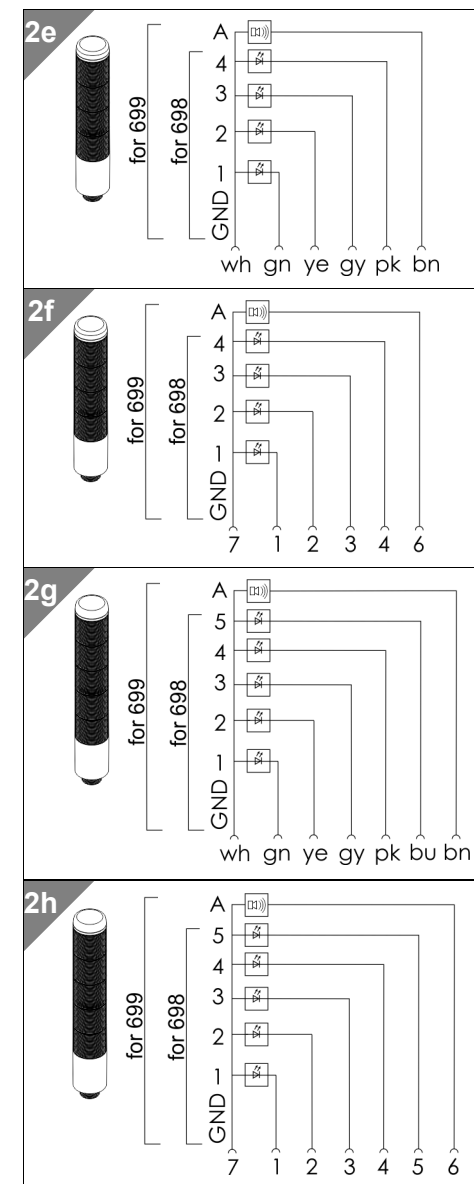
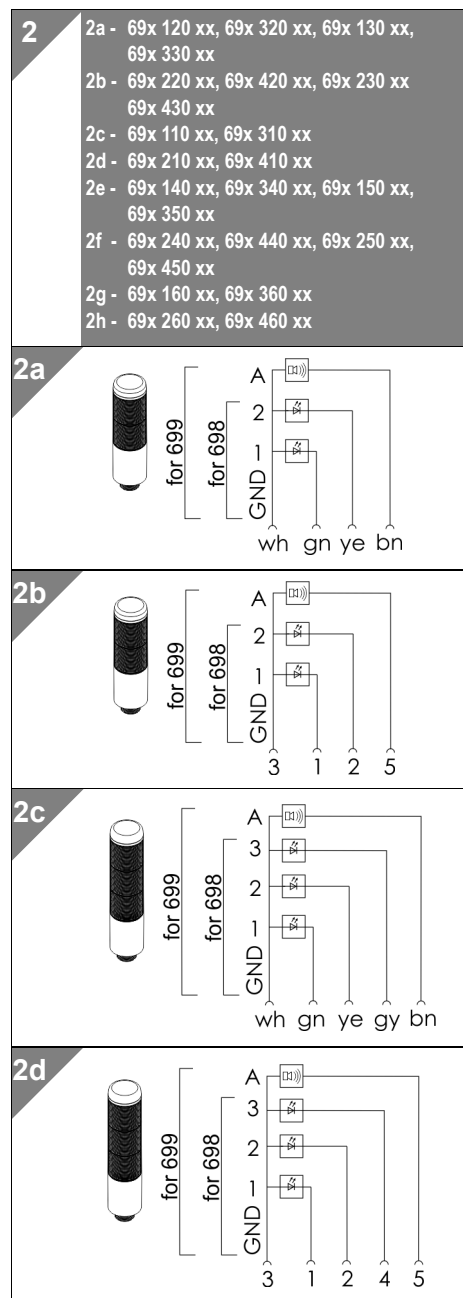
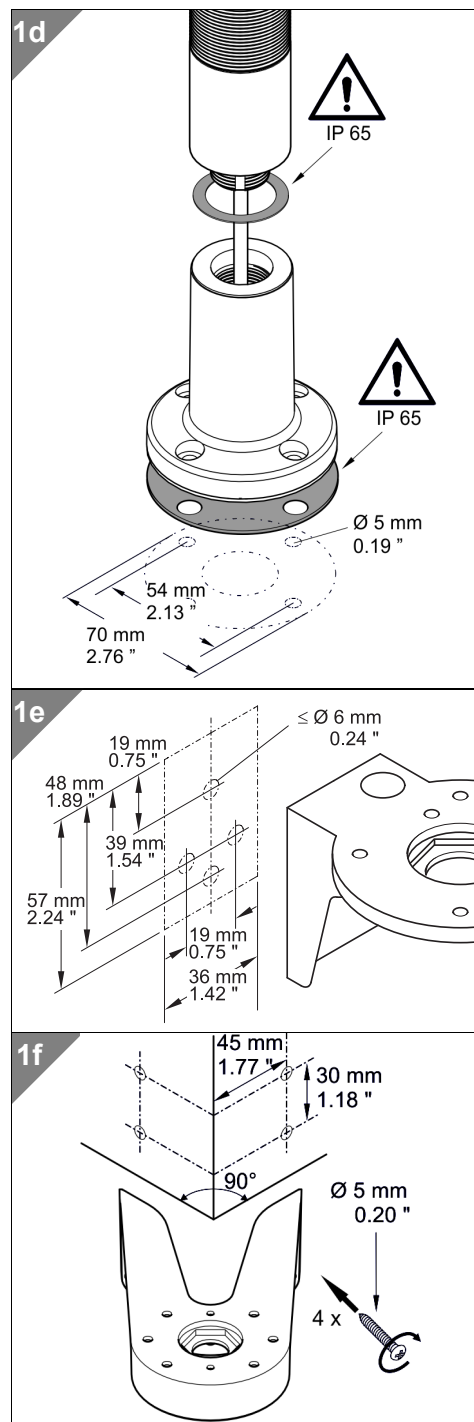
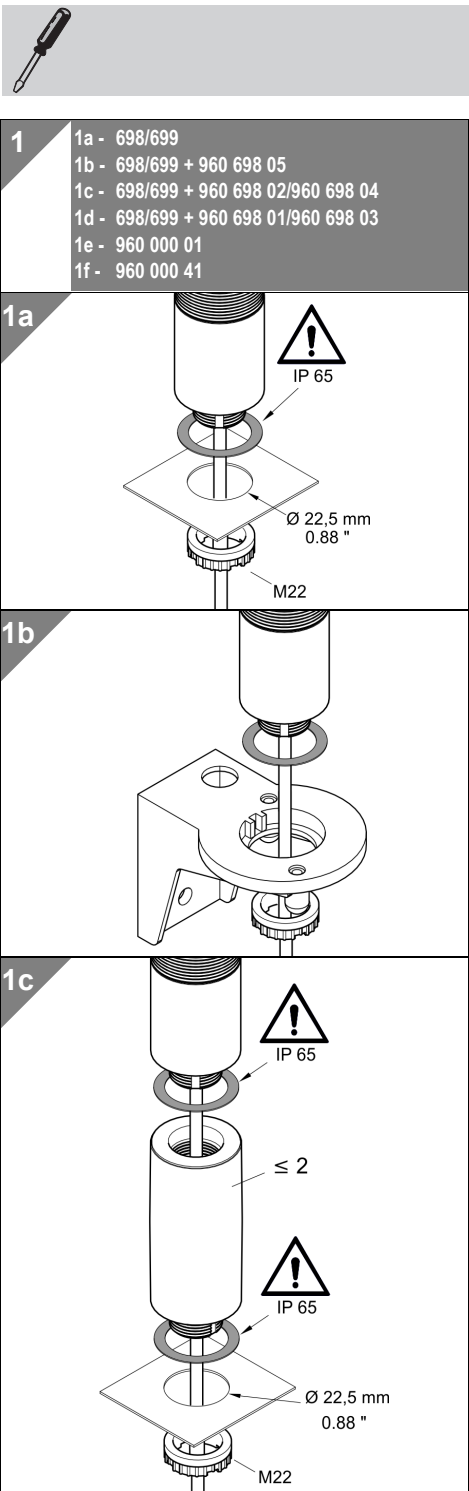


- D Anschluss **ausschließlich** durch ausgebildete Elektro-Fachkräfte.
- GB Electrical connection is to be made by trained electrical specialists **only**.
- F Le branchement doit **uniquement** être effectué par des professionnels.
- I Il collegamento deve essere eseguito **solo** da elettricisti specializzati.
- E La conexión **sólo** debe ser realizada por electricistas debidamente formados.
- PT A ligação deve ser feita **exclusivamente** por profissional eléctrico especializado.
- NL De aansluiting mag **enkel** gebeuren door erkende vakmensen.
- CZ Připojení smí **provádět** pouze kvalifikovaný personál.
- PL Podłączenie **wyłącznie** przez specjalistów-elektryków.
- FI Liittäminen kuuluu **ainoastaan** koulutettujen sähköalan ammattilaisten tehtäviin.
- RUS Подключение проводов только специа-листом-электриком.
- TR Bağlantı **sadece** eğitimli elektrik teknisyenleri tarafından yapılmalıdır.
- CN 布线需由专业电工执行



	698 X20 75 698 X30 75	24 V \approx , I ₀ < 100 mA < 2 x 50 mA
	698 X20 74 698 X30 74	12 V \approx , I ₀ < 250 mA < 2 x 125 mA
	699 X20 75 699 X30 75	24 V \approx , I ₀ < 150 mA < 3 x 50 mA
	699 X20 74 699 X30 74	12 V \approx , I ₀ < 350 mA < 2 x 125 mA + < 1 x 100 mA
	698 X10 75	24 V \approx , I ₀ < 150 mA < 3 x 50 mA
	698 X10 74	12 V \approx , I ₀ < 360 mA < 3 x 120 mA
	699 X10 75	24 V \approx , I ₀ < 200 mA < 4 x 50 mA
	699 X10 74	12 V \approx , I ₀ < 460 mA < 3 x 120 mA + < 1 x 100 mA
	698 X40 75 698 X50 75	24 V \approx , I ₀ < 200 mA < 4 x 50 mA
	699 X40 75 699 X50 75	24 V \approx , I ₀ < 250 mA < 5 x 50 mA
	698 X60 75	24 V \approx , I ₀ < 250 mA < 5 x 50 mA
	699 X60 75	24 V \approx , I ₀ < 300 mA < 6 x 50 mA





310.698.001.1013

©

X-ON Electronics

Largest Supplier of Electrical and Electronic Components

Click to view similar products for [Piezo Buzzers & Audio Indicators](#) category:

Click to view products by [Werma](#) manufacturer:

Other Similar products are found below :

[68S1240-PA](#) [ESZ-26B](#) [FDG06PSLLF](#) [FDG111PLF](#) [F/DGX12P WITH LABEL LF](#) [F/EM12PLF](#) [F/NRMB 24 BLACK LF](#) [PF-35N29WQ](#)
[PFD-21A29W](#) [PFD-27A35PQ](#) [PL-21N30WQ](#) [PLD-21N30W](#) [PLD-21N30WQ](#) [PS-531Q](#) [PT-3534FP](#) [B822B](#) [B/CP28/100DB/BLACK LF](#)
[S6109](#) [SC110E](#) [SC2036ACP](#) [SC616N-2](#) [SC628FW](#) [SC628MPG](#) [SC648D](#) [SCS045MD9DT3S](#) [ESZ-25B-5-250B](#) [ESZ-25S](#) [F/BC 35-DR LF](#)
[FCM12PLF](#) [F/EB20P-DR LF](#) [AI-4228-TF-LW305-R](#) [F/SMD03A LF](#) [F/SU 21-02 LF](#) [F/UCW 03 WITH LABEL LF](#) [F/UCW 06 WITH](#)
[LABEL LF](#) [PFD-27N36W](#) [PKM35-4A0](#) [PL-35N29WQ](#) [PLD-27A35PQ](#) [PS-552Q](#) [CM-5](#) [REF-202](#) [B/SE 128 RED LF](#) [KBS-20DA-7AS](#)
[KBS-27DA-5C-105](#) [LSC628ANR](#) [PL-21N31PQ](#) [F-B-P1405ISB LF](#) [F/DGX 05P WITH LABEL LF](#) [B/CP 50 GREY LF](#)