

# 75 mm Bracket Mount Beacons

## 75 mm Beacon Features

- Choose from permanent incandescent, permanent LED, or flashing Xenon models
- Bracket mount installation
- Light-intensive Xenon flash in flash models
- 75 mm diameter

- Bulb not included with incandescent models
- Various mounting accessories available
- 2 year warranty



223, 224, and 225 Series Beacons Technical Specifications												
Description	Voltage	Part Number	Price	Color	Current	Starting Current	Operating Temp /Protection	Life Duration	Housing Material	Weight	Connection	Agency Approvals
<b>48 mm (Bracket Mount)</b>												
Incandescent Permanent Light	12-240V AC/DC max (depends on bulb selection)	22310000	<--->	Red	Depends on bulb selection. (bulb sold separately)	-		up to 5,000 hrs	Green	103g [3.63 oz]		
		22320000	<--->	Green								
		22330000	<--->	Yellow								
		22340000	<--->	Clear								
		22350000	<--->	Blue								
LED Permanent Light	115 VAC	22410067	<--->	Red	<25 mA	≤ 0.5A		up to 100,000 hrs	Polycarbonate cap Polyamide base	142g [5.01 oz]		
		22420067	<--->	Green								
		22430067	<--->	Yellow								
		22440067	<--->	Clear								
		22450067	<--->	Blue								
	24V AC/DC	22410075	<--->	Red	<45 mA							
		22420075	<--->	Green								
		22430075	<--->	Yellow								
		22440075	<--->	Clear								
		22450075	<--->	Blue								
Xenon Flashing Light (0.75 Hz flash frequency, 1W flash energy)	24 VDC	22510055	<--->	Red	<100 mA	-		4,000,000 flashes		151g [5.33 oz]		
		22520055	<--->	Green								
		22530055	<--->	Yellow								
		22540055	<--->	Clear								
		22550055	<--->	Blue								
	115 VAC	22510067	<--->	Red	<20 mA							
		22520067	<--->	Green								
		22530067	<--->	Yellow								
		22540067	<--->	Clear								
		22550067	<--->	Blue								

## Bulbs

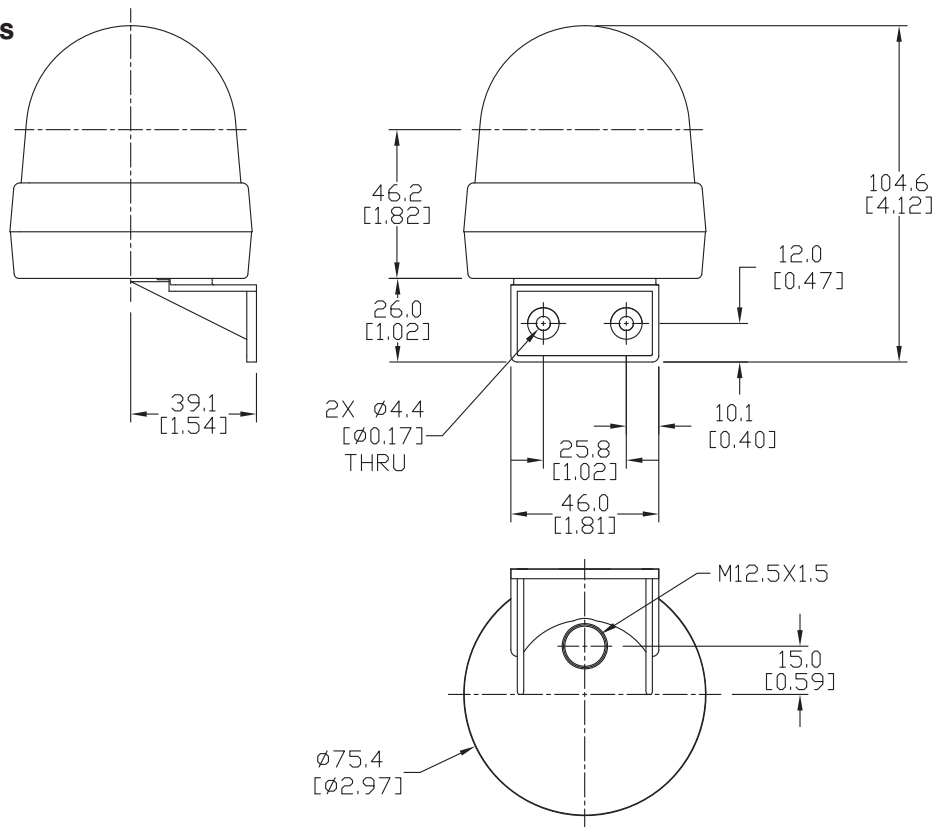


Bulbs for Incandescent Permanent Optical Element					
Part Number	Price	Description	Wattage	Voltage	Life Duration
95501535	<--->	Bulb for Incandescent Light B15d Bayonet Socket	7W	24V AC/DC	up to 5,000 hrs
95501537	<--->			115 VAC	
95501538	<--->			230 VAC	

# 75 mm Bracket Mount Beacons

## Dimensions mm [inches]

### 223/224/225 Series



Company Information

Systems Overview

Programmable Controllers

Field I/O

Software

C-more & other HMI

Drives

Soft Starters

Motors & Gearbox

Steppers/ Servos

Motor Controls

Proximity Sensors

Photo Sensors

Limit Switches

Encoders

Current Sensors

Pressure Sensors

Temperature Sensors

Pushbuttons/ Lights

Process

Relays/ Timers

Comm.

Terminal Blocks & Wiring

Power

Circuit Protection

Enclosures

Tools

Pneumatics

Appendix

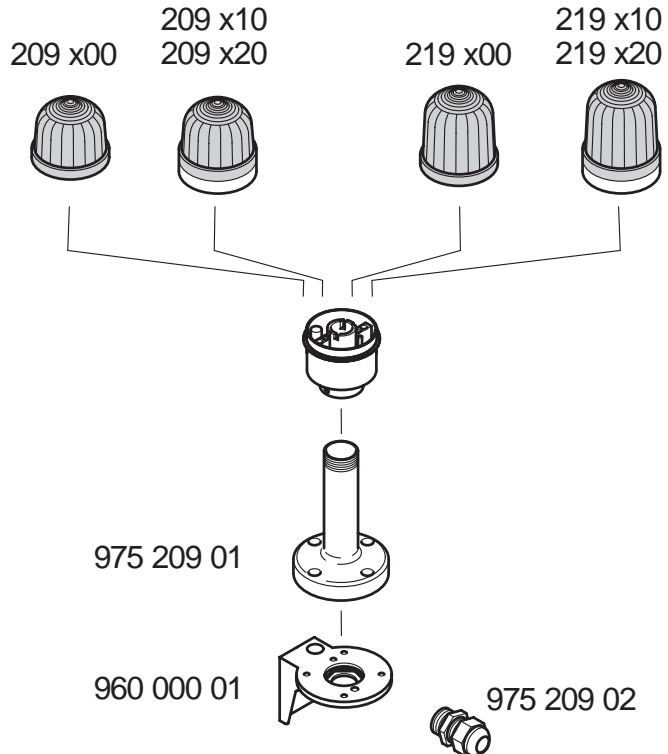
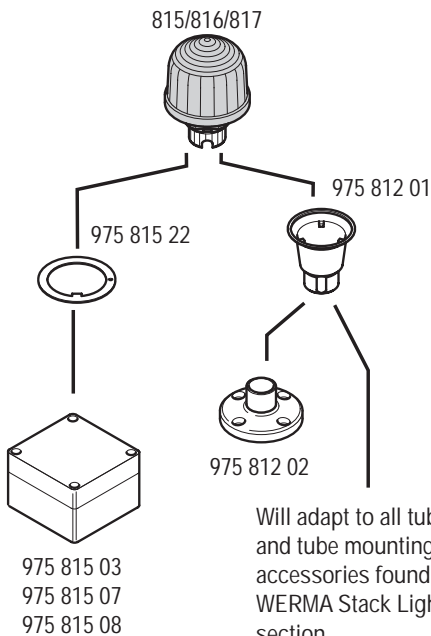
Product Index

Part # Index

# Beacon Accessories

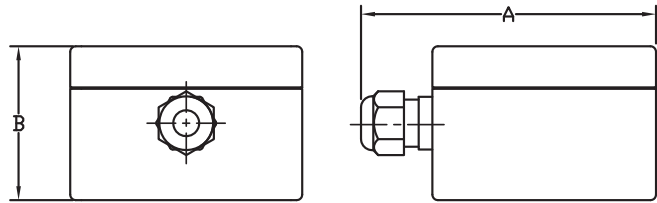
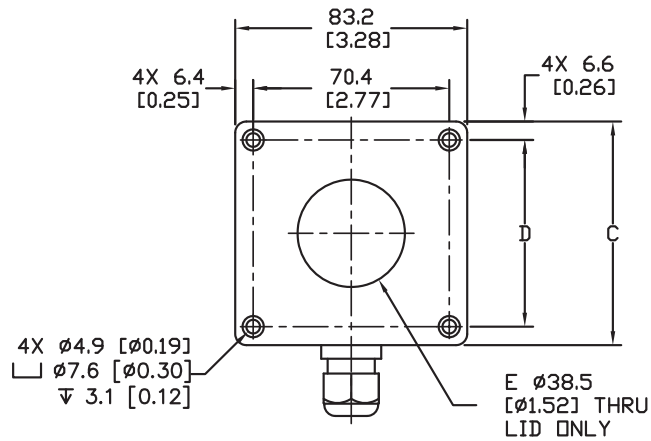
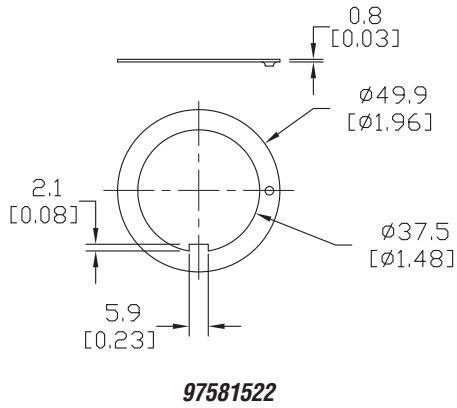
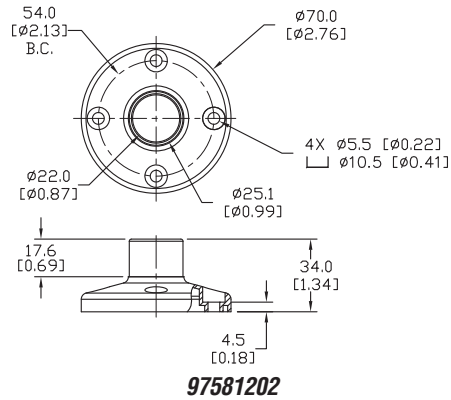
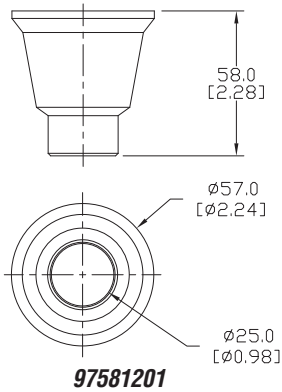


WERMA Beacons Accessories					
Part Number	Price	Description	Operating Temp.	Material	Weight
<b>Installation Beacon Accessories</b>					
97581201	<--->	Tube adapter for beacons with 37mm (PG 29) mounting installation. Find tube adapter accessories in WERMA Stack light catalog section.	-4°F to 122°F [-20°C to 50°C]	Polyamide /Fiberglass	1.13 g [0.04 oz]
97581202	<--->	Surface mounting base for beacons with 37mm (PG 29) mounting installation		Polyamide /Fiberglass with rubber seal	2.83 g [0.1 oz]
97581503	<--->	Surface mounting enclosure for 1 beacon with 37mm (PG 29) mounting installation		Polycarbonate/ ABS blend	8.5 g [0.3 oz]
97581507	<--->	Surface mounting enclosure for 2 beacons with 37mm (PG 29) mounting installation			14.17 g [0.5 oz]
97581508	<--->	Surface mounting enclosure for 3 beacons with 37mm (PG 29) mounting installation			17.0 g [0.6 oz]
97581522	<--->	Anti-twist washer for beacons with 37mm (PG 29) mounting installation		304 Stainless steel	0.57 g [0.02 oz]
<b>Freestanding Beacon Accessories</b>					
96000001	<--->	Bracket for tube mounting - for use with 219 and 209 series industrial signal beacons.	-4°F to 122°F [-20°C to 50°C]	Polyamide	57 g [2.01 oz]
97520901	<--->	Plastic Base with integrated tube for WERMA industrial signal beacons- for use with 209 and 219 series beacons		Polyamide	0.1 lbs [1.6 oz]
97520902	<--->	Cable gland for WERMA industrial signal beacons: M25x1.5, plastic - for use with 209 and 219 series industrial signal beacons		Nylon	0.1 lbs [1.6 oz]
97582603	<--->	Galvanized Wire Guard for WERMA industrial signal beacons - for use with 826, 827, 828 and 829 series industrial signal beacons		Wire D 3mm, chromed	140 g [4.93 oz]
97582605	<--->	Plastic Bracket for wall mounting for use with WERMA signal beacons - for use with 826, 827, 828 and 829 series industrial signal beacons		Polycarbonate/ ABS blend	62g [2.19 oz]



# Beacon Accessories

Dimensions mm [in.]

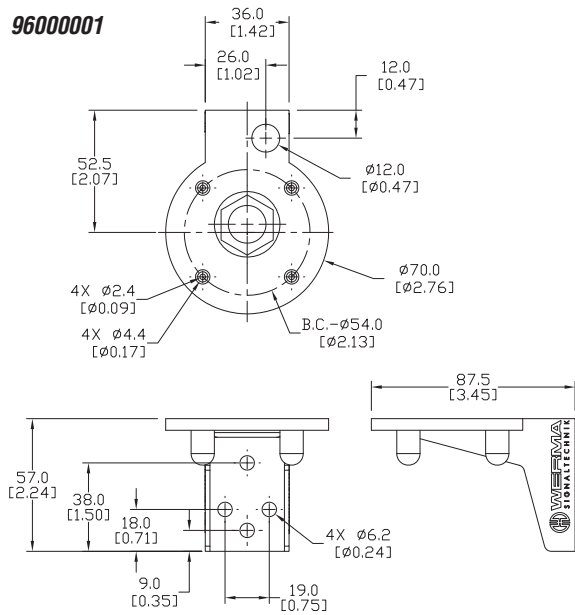


PART #	DIM A	DIM B	DIM C	DIM D	E # OF HOLES EQUALLY SPACED
97581503	105.8[4.17]	55.2[2.17]	80.2[3.16]	67.0[2.64]	1
97581507	185.7[7.31]	55.2[2.17]	160.3[6.31]	147.1[5.79]	2
97581508	266.7[10.50]	60.9[2.40]	241.3[9.50]	228.1[8.98]	3

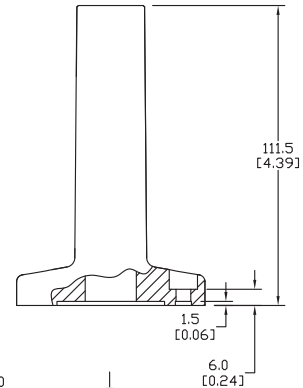
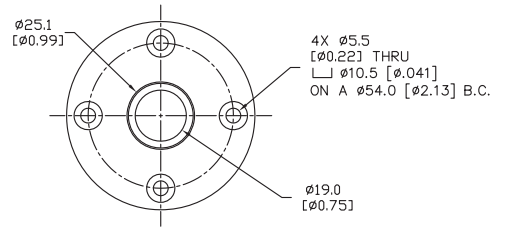
# Beacon Accessories

## Dimensions mm [inches]

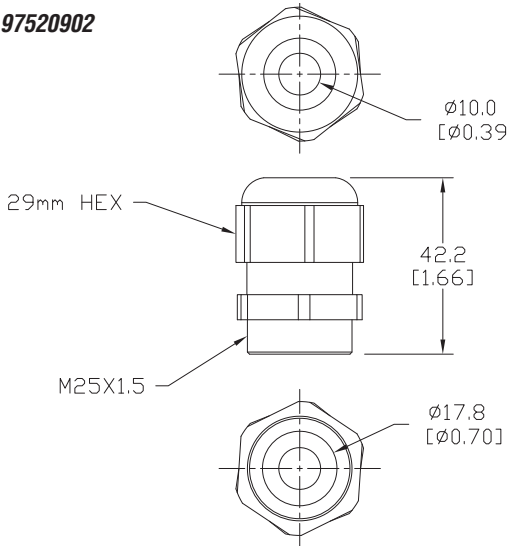
**96000001**



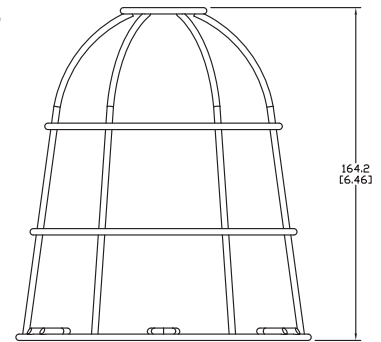
**97520901**



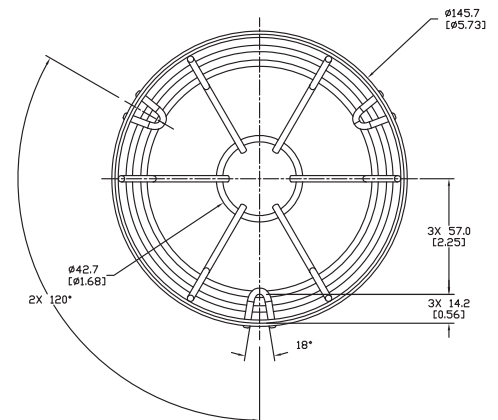
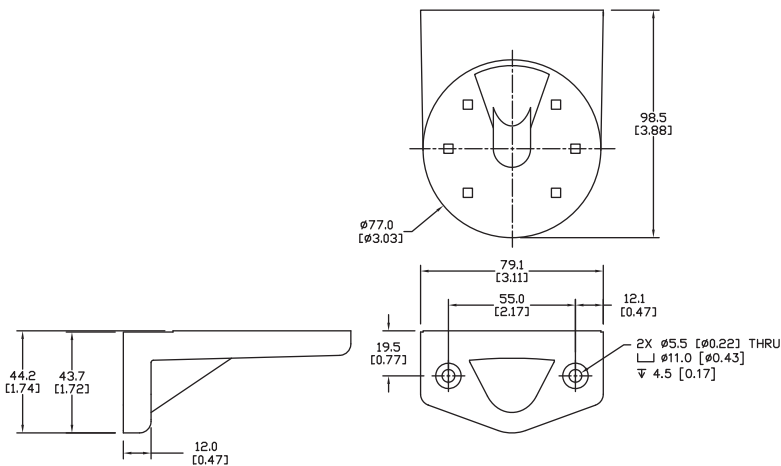
**97520902**



**97582603**



**97582605**



# WERMA Signaling Overview



## Description

WERMA offers a wide range of signaling devices for either installation panel or surface mount applications. Modern designs and the latest LED technology provides exceptionally clear and bright signalling.

## Installation Beacons and Audible Signal Devices

WERMA installation beacons are designed for mounting in panels or enclosures. A characteristic of this beacon type is that the rear fixture uses a central nut.

- Permanent, blinking, flashing, or LED beacons
- High protection rating IP65
- Beacons in 29, 57/58, and 75 mm beacon diameters
- Audible modules with sight/sound combinations
- Signal modules come in common voltages (24V AC/DC, 115 VAC, and 230 VAC)
- Five colors
- For installation in 22.5 or 34 mm cutouts

## Freestanding Beacons

WERMA freestanding beacons offer a range of modules including: permanent, blinking, flashing, LED EVS, and LED rotating.

- Base, bracket or tube mounting
- Incandescent, LED, or Xenon light sources
- High protection rating IP65
- 57/58/75/98 beacon diameters available
- Tall lens option available
- Signal modules in common voltages (24V AC/DC, 115 VAC, and 230 VAC)
- Five colors available

## Beacon Accessories

Accessories for installation and freestanding beacons:


- Tube adapter, mounting base, surface-mounting enclosures, washers, for installation beacons
- Wire guard, wallmount bracket, bracket, base and tube, and cable gland for freestanding beacons



# Selecting Your WERMA Beacon

## ▶ STEP 1

Select the required panel or freestanding beacon or buzzer for your application



**Optical Signal Elements**

- Incandescent Permanent Light
- LED Permanent Light
- Xenon Flashing Light
- LED Flashing Light
- LED Blinking Light
- LED Rotating Light
- LED Double Flashing Light
- LED EVS (Enhanced Visibility System) Flashing Light

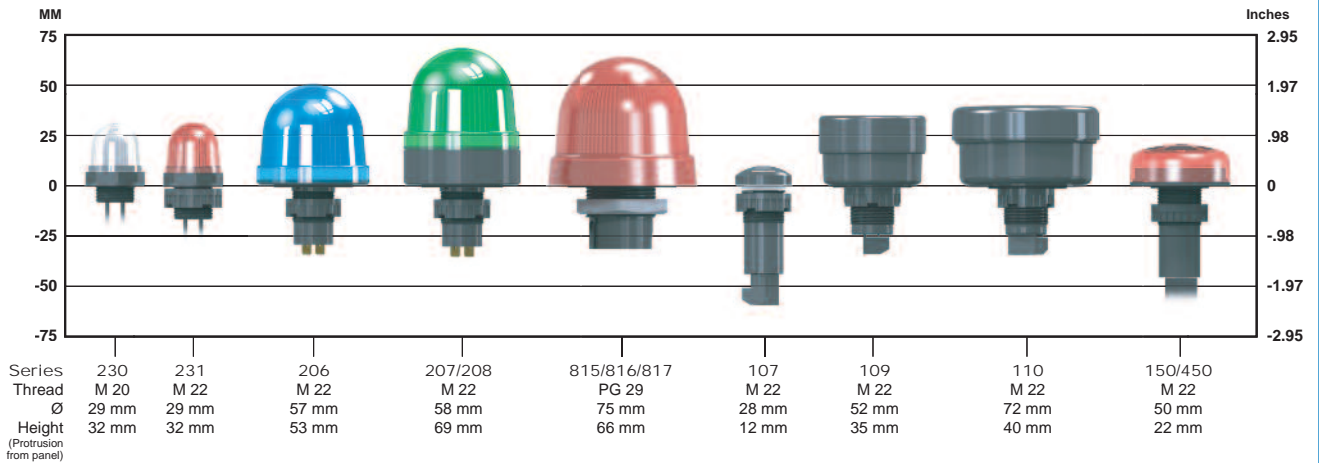
**Audible Signal Elements**

- Buzzer Element
- Buzzer Element with Acknowledgment Function

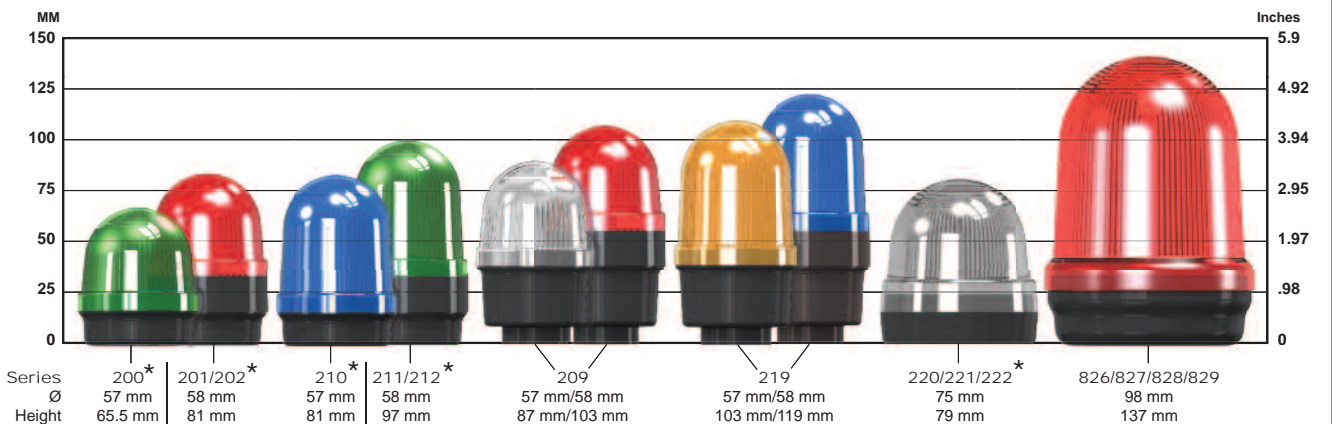
## ▶ STEP 2

Select the required beacon height/depth for your application from either the panel beacons and buzzers or free-standing beacons.

### Installation Beacons and Buzzers



### Freestanding Beacons



\*Bracket mount also available

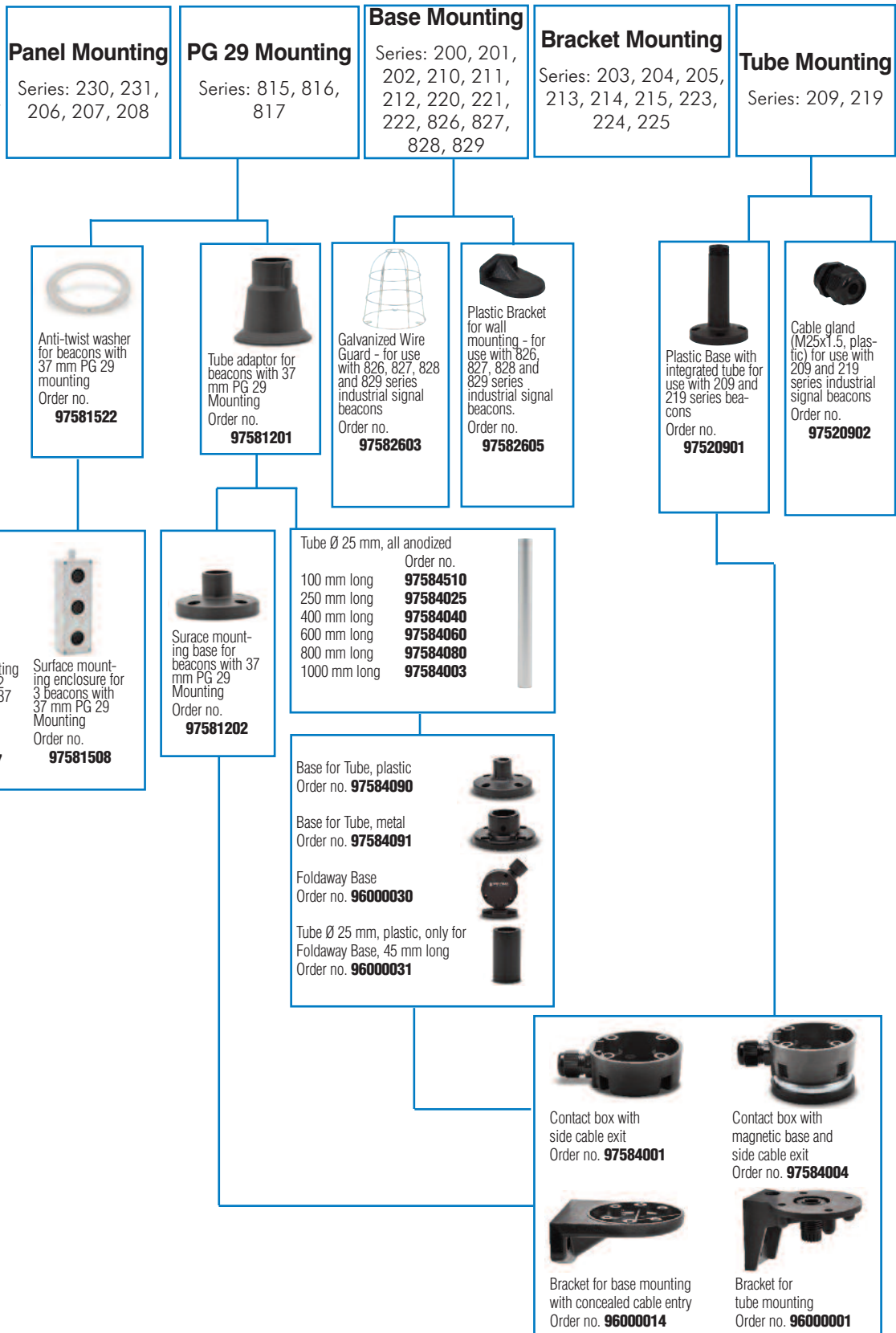
# Selecting Your WERMA Beacon

## ▶ STEP 3

Select the correct mount for your application

## ▶ STEP 4

Where appropriate, select a mounting accessory for your PG29, base-mounted, or tube-mounted beacon.





## X-ON Electronics

Largest Supplier of Electrical and Electronic Components

*Click to view similar products for [werma](#) manufacturer:*

Other Similar products are found below :

[64140000](#) [64330068](#) [64411068](#) [64751075](#) [14095060](#) [96000002](#) [42532068](#) [64310055](#) [64712055](#) [64722055](#) [64732055](#) [82810055](#) [85320055](#)  
[57005258](#) [63081000](#) [85310060](#) [64752055](#) [64411075](#) [64711075](#) [64721075](#) [42432075](#) [42512075](#) [21010000](#) [69831075](#) [85311060](#) [82830055](#)  
[20310000](#) [64421075](#) [57005267](#) [58400068](#) [82620000](#) [20410075](#) [42412075](#) [82610000](#) [82630000](#) [64731075](#) [96000014](#) [57005268](#) [64150000](#)  
[21330000](#) [69821075](#) [58015255](#) [44430075](#) [64589075](#) [97584091](#) [14095050](#) [42432068](#) [63082000](#) [85330055](#) [13400075](#)