

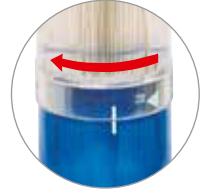
# Signal Tower KombiSIGN 50



## Simple operation thanks to bayonet mechanism

WERMA was the first signal beacon manufacturer to offer a bayonet mechanism allowing elements to be mechanically and electrically connected within seconds.

- ✓ Simple mounting and removal of the elements
- ✓ New combinations at the twist of a hand
- ✓ Tool-free bulb change



## Signals to combine - At the twist of a hand

- ✓ Signal elements in every common voltage
- ✓ Modular system allows combination as required
- ✓ Protection rating IP 54
- ✓ LED technology ensures even better visibility



# This is how you can assemble your KombiSIGN 50 signal tower

**▶ STEP 1**

Select the required optical or audible elements in the correct voltage.



**Audible Signal Elements**

- Buzzer element












**Optical Signal Elements**

- Permanent light
- LED Permanent light
- LED Flashing light
- LED Blinking light

**▶ STEP 2**


Select the terminal element.

**Single hole Mounting**

**NEW** 

Terminal element

Order no. **845 000 00**

**NEW** 

Terminal element with CAGE CLAMP® technology for single hole mounting

Order no. **845 010 00**

**▶ STEP 3**


Select the appropriate mounting option for your application.

**▶ STEP 4**

Select the appropriate accessory for your mounting option.


**Base/Wall Mounting**

**Tube Mounting**



Bracket for wall mounting

Order no. **975 845 02**



Base for surface mounting, incl. rubber seal

Order no. **975 845 01**

Tube Ø 25 mm, Aluminium

Order no.

100 mm long **975 845 10**

250 mm long **975 840 25**

400 mm long **975 840 40**

600 mm long **975 840 60**

800 mm long **975 840 80**

1000 mm long **975 840 03**

Base for tube, plastic

Order no. **975 840 90**

Base for tube, metal


Order no. **975 840 91**

Foldaway base

Order no. **960 000 30**

Foldaway base

Order no. **960 009 12**



**▶ STEP 5**

Where appropriate, select the bracket and the contact box.

**TIP**


The Signal Devices Site on the Internet: [www.werma.com](http://www.werma.com)

With our new **signal tower configurator** you can put together your own individual signal tower.



Contact box for cable exit at side

Order no. **975 840 01**



Contact box with magnetic base and cable exit at side

Order no. **975 840 04**



Bracket for base mounting with concealed cable entry

Order no. **960 000 14**



Bracket for base mounting

Order no. **960 000 01**

**NEW** 

Corner fixing bracket

Order no. **960 000 41**



Tube mounting (accessory)



Bracket (accessory)



Base mounting (accessory)

- Clear signalling, even in unfavourable light conditions

- LED light elements have an extremely long life and low current consumption

**i TECHNICAL SPECIFICATIONS:**

<b>Dimensions (Ø x Height):</b>	52 mm x 67 mm		
<b>Lens:</b>	PC, transparent		
<b>Protection rating:</b>	IP 54		
<b>Number of modules possible:</b>	Max. 4		

<b>Permanent light element</b>	12-240 V AC/DC Bulb not included in assembly		
<b>Socket:</b>	Bayonet, BA15d, for bulb max. 5 W		
<b>Life duration:</b>	Dependent upon the bulbs used		

<b>LED Permanent light element</b>	24 V AC/DC	115 V AC	230 V AC
<b>Current consumption:</b>	45 mA	25 mA	25 mA
<b>Life duration:</b>	< 50,000 hrs		

<b>LED Flashing light element</b>			
<b>Current consumption:</b>	Red, yellow 45 mA	Green, clear, blue 40 mA	
<b>Life duration:</b>	< 50,000 hrs		
<b>Blink frequency:</b>	C. 1 Hz		

<b>LED Blinking light element</b>	24 V AC/DC	115 V AC	230 V AC
<b>Current consumption:</b>	25 mA	25 mA	25 mA
<b>Life duration:</b>	< 50,000 hrs		
<b>Blink frequency:</b>	C. 1 Hz		

**ORDER SPECIFICATIONS OPTICAL ELEMENTS:**

see next page

See note on page 347

24 V



Permanent light element



LED element



**ORDER SPECIFICATIONS OPTICAL ELEMENTS:**

Permanent light element	12-240 V AC/DC
red	<b>846 100 00</b>
green	<b>846 200 00</b>
yellow	<b>846 300 00</b>
clear	<b>846 400 00</b>
blue	<b>846 500 00</b>

Bulb not included in assembly. Accessories see page 67.

LED Permanent light element	24 V AC/DC	115 V AC	230 V AC
red	<b>848 100 55</b>	<b>848 100 67</b>	<b>848 100 68</b>
green	<b>848 200 55</b>	<b>848 200 67</b>	<b>848 200 68</b>
yellow	<b>848 300 55</b>	<b>848 300 67</b>	<b>848 300 68</b>
clear	<b>848 400 55</b>	<b>848 400 67</b>	<b>848 400 68</b>
blue	<b>848 500 55</b>	<b>848 500 67</b>	<b>848 500 68</b>

LED Flashing light element	24 V DC
red	<b>848 120 55</b>
green	<b>848 220 55</b>
yellow	<b>848 320 55</b>
clear	<b>848 420 55</b>
blue	<b>848 520 55</b>

*Life duration up to 50,000 hrs*

LED Blinking light element	24 V AC/DC	115 V AC	230 V AC
red	<b>848 110 75</b>	<b>848 110 67</b>	<b>848 110 68</b>
green	<b>848 210 75</b>	<b>848 210 67</b>	<b>848 210 68</b>
yellow	<b>848 310 75</b>	<b>848 310 67</b>	<b>848 310 68</b>
clear	<b>848 410 75</b>	<b>848 410 67</b>	<b>848 410 68</b>
blue	<b>848 510 75</b>	<b>848 510 67</b>	<b>848 510 68</b>



**TECHNICAL DIAGRAMS:**

see page 320 onwards





Buzzer element

- Buzzer with up to 80 dB

- Optional continuous or pulse tone

**i TECHNICAL SPECIFICATIONS:**

Dimensions (Ø x Height):	52 mm x 72 mm
Lens:	PC/ABS-Blend
Protection rating:	IP 54
Number of modules possible:	Max. 4
Sound output:	80 dB
Number/Tone type:	Continuous or pulse tone, adjustable

**ORDER SPECIFICATIONS AUDIBLE ELEMENT:**

Voltage	24 V AC/DC	115 V AC/DC	230 V AC
Current consumption	Max. 25 mA	Max. 25 mA	Max. 25 mA
Buzzer element	<b>849 000 75</b>	<b>849 000 77</b>	<b>849 000 68</b>

**TECHNICAL DIAGRAMS:**

see page 320 onwards



Tube mounting (accessory)



Base mounting (accessory)

See note on page 347





Screw terminal with cap

- Bayonet locking mechanism enables quick and easy assembly of the signal tower
- The ideal solution for every installation

**i TECHNICAL SPECIFICATIONS:**

<b>Terminal element</b>	
<b>Dimensions</b> (Ø x Height):	52 mm x 65 mm
<b>Material:</b>	Terminal element: PA + PC/ABS Cap: PC
<b>Fixing:</b>	Tube mounting, for tube Ø 25 mm Single hole mounting, Base and bracket mounting (accessory)
<b>Connection:</b>	Screw terminal max. 1.5 mm <sup>2</sup>
<b>Cable entry:</b>	Cable diameter max. 9.5 mm
<b>Terminal element with CAGE CLAMP® technology</b>	
<b>Dimensions</b> (Ø x Height):	52 mm x 65 mm
<b>Material:</b>	Terminal element: PA + PC/ABS Cap: PC
<b>Fixing:</b>	Tube mounting, for tube Ø 25 mm Base mounting, Single hole mounting and bracket mounting (accessory)
<b>Connection:</b>	CAGE CLAMP® technology max. 1.5 mm <sup>2</sup>
<b>Cable entry:</b>	Cable diameter max. 9.5 mm

**🛒 ORDER SPECIFICATIONS TERMINAL ELEMENTS:**

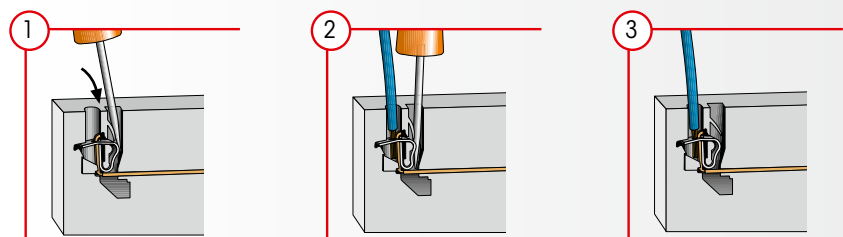
<b>Terminal element</b>	<b>845 000 00</b>
incl. cap, rubber seal and nut	
<b>Terminal element with CAGE CLAMP®</b>	<b>845 010 00</b>
incl. cap, rubber seal and nut	



Terminal element CAGE CLAMP® Technologie with cap

**⚠️ ADDITIONAL INFORMATION:**

Terminal elements with CAGE CLAMP® technology enable leads to be quickly and easily wired, guaranteeing a secure and reliable contact.



1 Insert screwdriver at a slight angle into opening as far as possible.  
2 Open spring-loaded clamp with the help of the screwdriver and insert wire as far as possible.  
3 Remove screwdriver - the wire is firmly clamped.

CAGE CLAMP® is a registered trademark of WAGO Kontakttechnik GmbH.

**🏠 ACCESSORIES:**

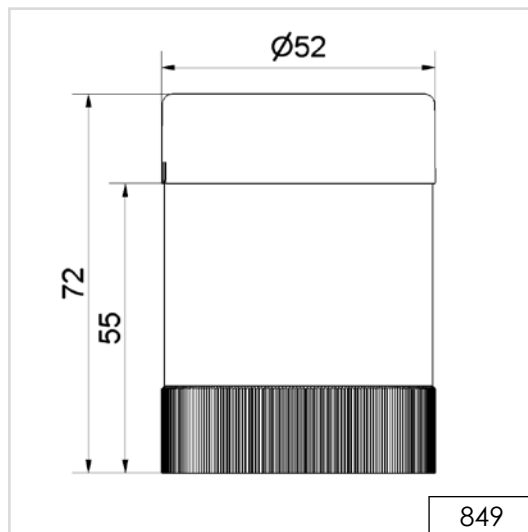
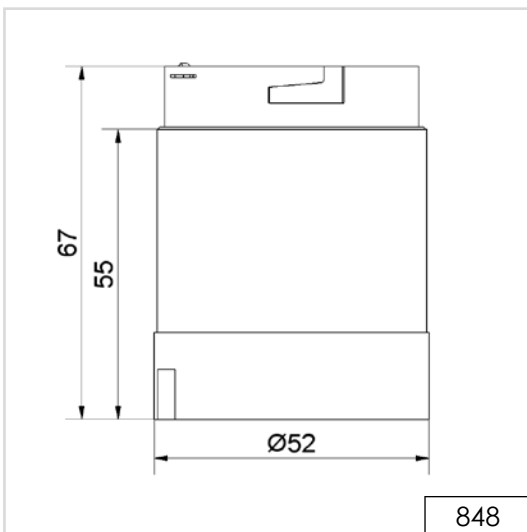
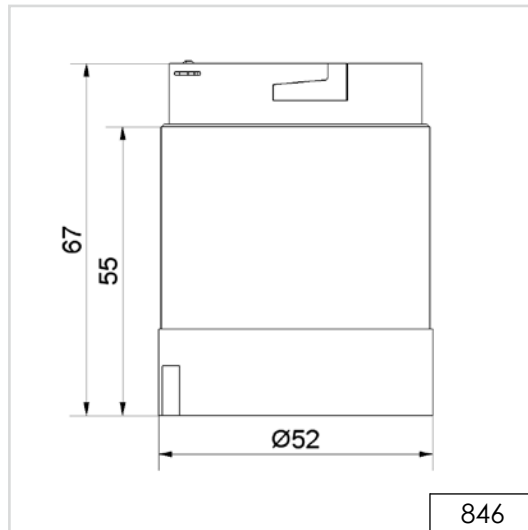
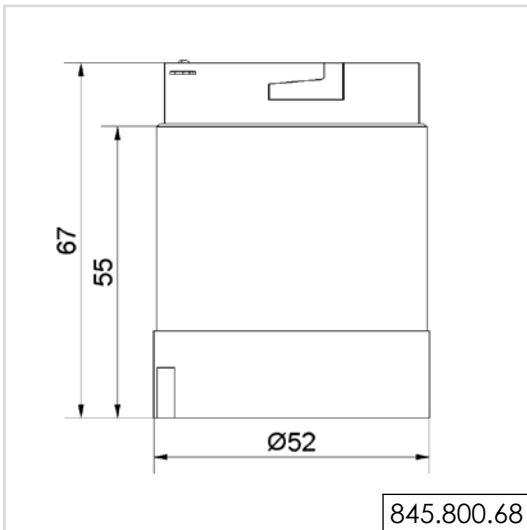
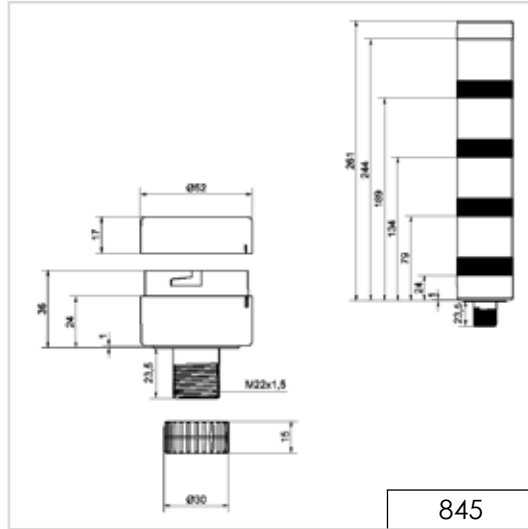
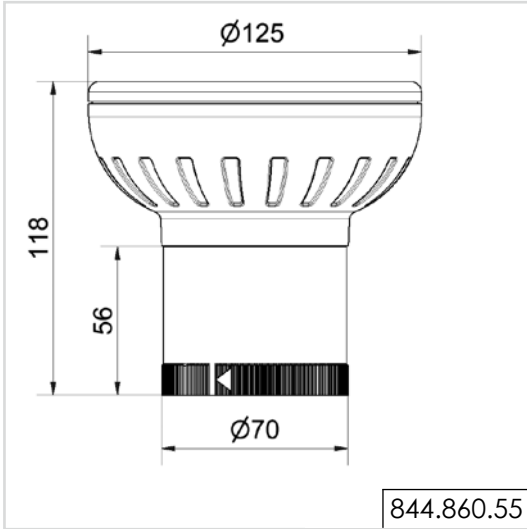
Suitable accessories can be found on page 67.

**📐 TECHNICAL DIAGRAMS: see page 320**

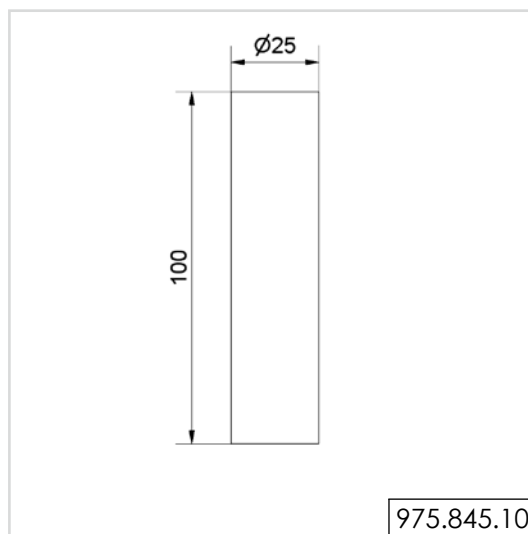
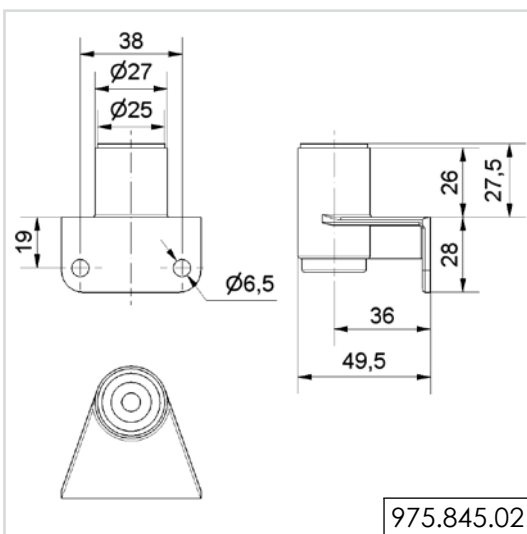
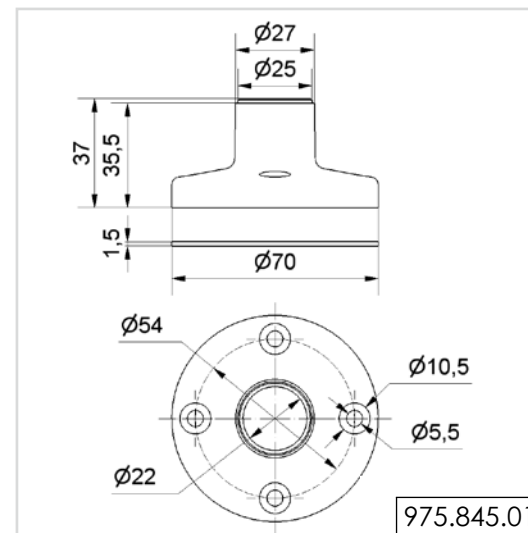
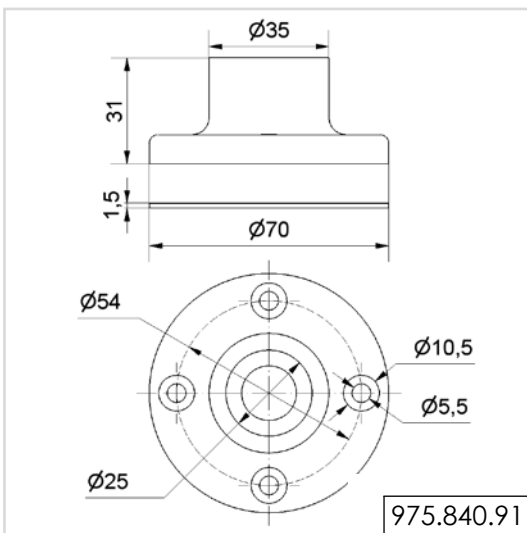
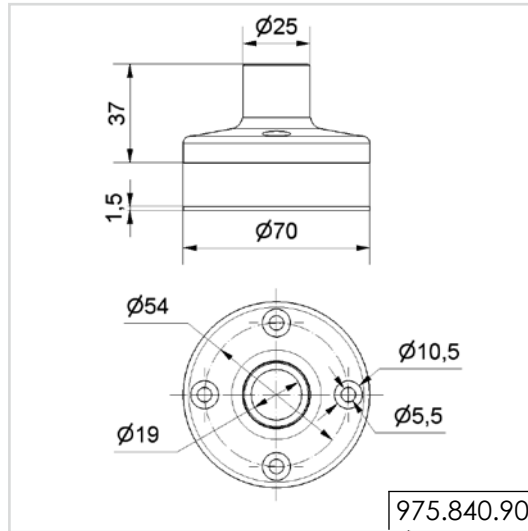
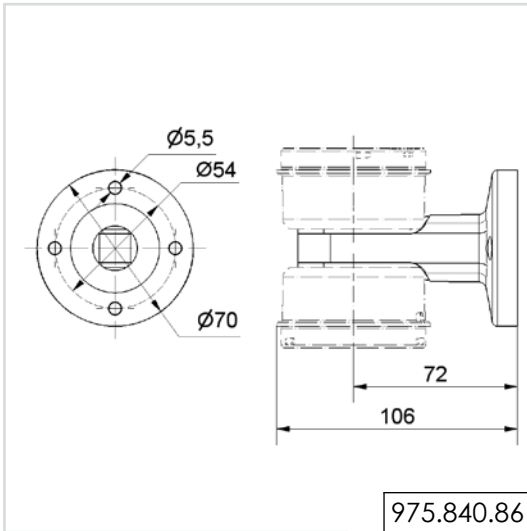
See note on page 347



# Technical Diagrams



Technical  
Diagrams



**! ADDITIONAL INFORMATION:**

You are welcome to request the technical diagrams in digital form. The relevant 3D models, instruction leaflets and connection diagrams can be obtained from us or downloaded from our homepage at any time.



## X-ON Electronics

Largest Supplier of Electrical and Electronic Components

*Click to view similar products for [Beacon Accessories](#) category:*

*Click to view products by [Werma](#) manufacturer:*

Other Similar products are found below :

[8WD4400-1AC](#) [LR6-M2WJNW](#) [XVBL0B4](#) [97584080](#) [XVGB3ST](#) [XVMB2RAGSSB](#) [8LT7ALBM](#) [XVGB3](#) [XVGB3SH](#) [HBJD-CZ-4-S](#)  
[XVGB4H](#) [XVGB2M](#) [XVGB4](#) [96000005](#) [96000051](#) [XVGB4S](#) [64723075](#) [64587075](#) [64733075](#) [XVGM2SW](#) [8LT7ALBB](#) [XVGB3M](#)  
[XVGB4ST](#) [84330055](#) [XVGM3ST](#) [96063009](#) [63930001](#) [XVGB2W](#) [XVGB1SMFA](#) [XVGM3SH](#) [64091000](#) [XVGM2SM](#) [XVGB4SW](#)  
[XVGB4M](#) [XVGB4SM](#) [97584004](#) [XVGM3W](#) [XVGM3S](#) [XVGM2W](#) [84310055](#) [XVGM1SA](#) [69935075](#) [XVGB4SH](#) [XVGB2](#) [XVGB2SW](#)  
[XVGM1SFA](#) [XVGB3T](#) [XVGB3SM](#) [63445055](#) [96000047](#)