

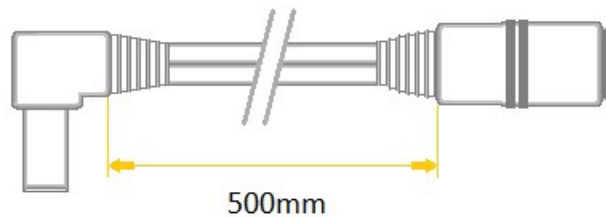


DC Power Cable 0.5m long

Plug 2.1x5.5 mm – angled

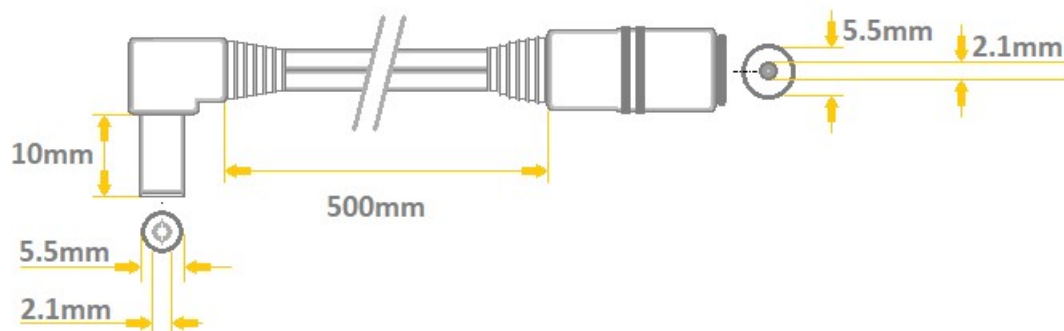
Socket 2.1x5.5 mm

flexible, multiwire conductors,
stranded of bare copper wires
2x0.5mm²



| Model |
|---------------------------------|
| DC Plug (output) |
| DC Socket (input) |
| Construction |
| Cable cross section |
| Wire diameter |
| Nominal voltage |
| Rated current |
| Length |
| Jacket |
| Color |
| Inner conductor |
| Insulation resistance |
| Insulation thickness |
| Allowable operation temperature |
| Maximum wire resistance |

| A21-C21-T050-050BK | |
|---------------------------------|---|
| DC Plug (output) | 2.1x5.5mm, angled (round plug, outer diameter 5.5mm, inner diameter 2.1mm) |
| DC Socket (input) | 2.1x5.5mm, straight (round socket, outer diameter 2.1mm, inner diameter 5.5mm) |
| Construction | flexible, multiwire conductors, stranded of bare annealed copper wires |
| Cable cross section | 1.7 x 3.6mm |
| Wire diameter | 2x0.50mm² |
| Nominal voltage | 0-100V |
| Rated current | 1.5A |
| Length | 050cm |
| Jacket | PVC |
| Color | Black |
| Inner conductor | Cu |
| Insulation resistance | >100MΩ @ 500VDC |
| Insulation thickness | 0.4mm |
| Allowable operation temperature | -20°C to 70°C |
| Maximum wire resistance | 39.0 Ω/km @ 20°C |



Marking System

model:

A21-C21-T050-050BK

| 1 | 2 | 3 | 4 | 5 | 6 | 7 | 8 | | | |
|----------|-----------|----------|----------|-----------|----------|----------|------------|----------|------------|-----------|
| A | 21 | - | C | 21 | - | T | 050 | - | 050 | BK |

| | | |
|----------|--------------------------------|---|
| 1 | Input / Output (side 1) | <p>P - straight plug</p> <p>A - angled plug</p> <p>C - socket</p> |
|----------|--------------------------------|---|

| | | |
|----------|--|---|
| 2 | Plug / Socket dimensions (side 1) | <p>07 - 0.7mm / 2.35mm</p> <p>13 - 1.3mm / 3.5mm</p> <p>40 - 1.7mm / 4.0mm</p> <p>48 - 1.7mm / 4.8mm</p> <p>55 - 1.7mm / 5.5mm</p> <p>21 - 2.1mm / 5.5mm</p> <p>25 - 2.5mm / 5.5mm</p> |
|----------|--|---|

| | | |
|----------|--------------------------------|---|
| 3 | Input / Output (side 2) | <p>P - straight plug</p> <p>A - angled plug</p> <p>C - socket</p> |
|----------|--------------------------------|---|

| | | |
|----------|--|---|
| 4 | Plug / Socket dimensions (side 2) | <p>T - tinned terminals</p> <p>07 - 0.7mm / 2.35mm</p> <p>13 - 1.3mm / 3.5mm</p> <p>40 - 1.7mm / 4.0mm</p> <p>48 - 1.7mm / 4.8mm</p> <p>55 - 1.7mm / 5.5mm</p> <p>21 - 2.1mm / 5.5mm</p> <p>25 - 2.5mm / 5.5mm</p> |
|----------|--|---|

| | | |
|----------|-------------------|--|
| 5 | cable type | <p>C- YTLYek (coaxial)</p> <p>T- TLYP</p> <p>O- YTLY</p> |
|----------|-------------------|--|

| | | |
|----------|----------------------|---|
| 6 | wire diameter | <p>035 - 0.35mm²</p> <p>050 - 0.5mm²</p> <p>075 - 0.75mm²</p> <p>100 - 1.0mm²</p> |
|----------|----------------------|---|

| | | |
|----------|---------------|--|
| 7 | length | <p>050 - 500mm</p> <p>150 - 1500mm</p> |
|----------|---------------|--|

| | | |
|----------|--------------|--|
| 8 | color | <p>BK - black</p> <p>WH - white</p> <p>TR - transparent</p> |
|----------|--------------|--|

X-ON Electronics

Largest Supplier of Electrical and Electronic Components

Click to view similar products for [DC Power Cords](#) category:

Click to view products by [WEST POL](#) manufacturer:

Other Similar products are found below :

[2R6006A20A120](#) [172-4000](#) [172-4101](#) [21033836407](#) [2J-1865A](#) [2R7006A20A120](#) [426055400-3](#) [96CB-POWER-B-1.8M2](#) [2052KH2-BK](#)
[804001P03M050G](#) [2050KH1-BK](#) [216603-0037](#) [862545-5](#) [BXC-10567](#) [172-2555](#) [32102-022800-200-RS](#) [DC.CAB.8000.0300](#)
[DC.CAB.6400.0200](#) [AK-ND-C07](#) [AK-ND-C16](#) [DC.CAB.4600.0200](#) [DC.CAB.8400.0020](#) [DC.CAB.4201.0150](#) [DC.CAB.8200.0300](#)
[DC.CAB.6601.0200](#) [DC.CAB.6601.0020](#) [DC.CAB.4201.0200](#) [DC.CAB.8010.0020](#) [AK-ND-C12](#) [AK-ND-C06](#) [DC.EXT.4200.0300](#)
[DC.EXT.6200.0300](#) [DC.EXT.8200.0300](#) [DC.CAB.8400.0500](#) [DC.EXT.8610.0100](#) [DC.EXT.4600.0300](#) [AK-ND-C08](#) [AK-ND-C01](#)
[DC.CAB.6201.0200](#) [DC.CAB.8610.0020](#) [DC.CAB.8600.0500](#) [DC.EXT.8200.0500](#) [DC.CAB.8010.0150](#) [DC.EXT.6200.0100](#)
[DC.CAB.8410.0300](#) [DC.EXT.4200.0200](#) [AK-ND-C14](#) [AK-ND-C11](#) [DC.EXT.8610.0500](#) [DC.CAB.6600.0020](#)