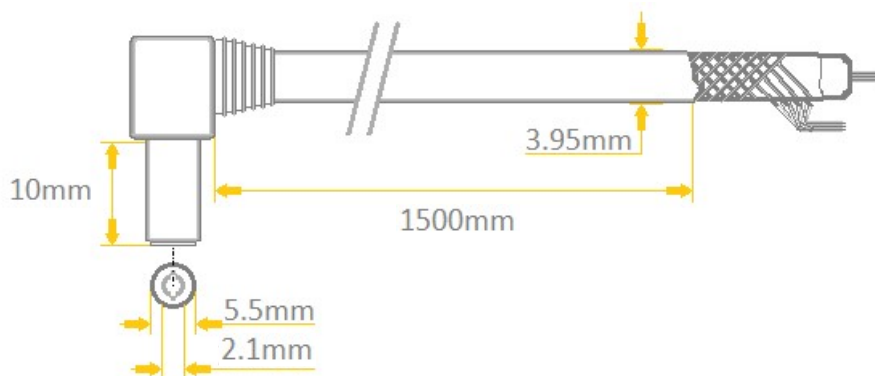




DC Power Cable 1.5m long , PLUG 2.1x5.5 mm - angled
flexible, multiwire conductors,
stranded of bare copper wires
coaxial **1.00mm²**



Model	A21-TT-C100-150BK
DC Plug (output)	2.1x5.5mm, angled (round plug, outer diameter 5.5mm, inner diameter 2.1mm)
DC Socket (input)	tinned terminals
Construction	flexible, multiwire conductors, stranded of bare annealed copper wires
Cable cross section	3.95mm
Wire diameter	1.00 mm² (coaxial)
Nominal voltage	0-100V
Rated current	5A
Length	150cm
Jacket	PVC
Color	Black
Inner conductor	Cu
Insulation resistance	>100MΩ @ 500VDC
Insulation thickness	0.3mm
Allowable operation temperature	-20°C to 70°C
Maximum wire resistance	18.0 Ω/km @ 20°C



Marking System

model:

A21-TT-C100-150BK

1	2	3	4	5	6	7	8
A	21	-	T T	-	C	100	- 150 BK

1	Input / Output (side 1)	<ul style="list-style-type: none"> P - straight plug A - angled plug S - socket
2	Plug / Socket dimensions (side 1)	<ul style="list-style-type: none"> 07 - 0.7mm / 2.35mm 13 - 1.3mm / 3.5mm 40 - 1.7mm / 4.0mm 48 - 1.7mm / 4.8mm 55 - 1.7mm / 5.5mm 21 - 2.1mm / 5.5mm 25 - 2.5mm / 5.5mm
3	Input / Output (side 2)	<ul style="list-style-type: none"> P - straight plug A - angled plug S - socket
4	Plug / Socket dimensions (side 2)	<ul style="list-style-type: none"> T - tinned terminals 07 - 0.7mm / 2.35mm 13 - 1.3mm / 3.5mm 40 - 1.7mm / 4.0mm 48 - 1.7mm / 4.8mm 55 - 1.7mm / 5.5mm 21 - 2.1mm / 5.5mm 25 - 2.5mm / 5.5mm
5	cable type	<ul style="list-style-type: none"> C- YTLYek (coaxial) T- TLYP O- YTLY
6	wire diameter	<ul style="list-style-type: none"> 035 - 0.35mm² 050 - 0.5mm² 075 - 0.75mm² 100 - 1.0mm²
7	length	<ul style="list-style-type: none"> 050 - 500mm 150 - 1500mm
8	color	<ul style="list-style-type: none"> BK - black WH - white TR - transparent

X-ON Electronics

Largest Supplier of Electrical and Electronic Components

Click to view similar products for [DC Power Cords](#) category:

Click to view products by [WEST POL](#) manufacturer:

Other Similar products are found below :

[2R6006A20A120](#) [172-4000](#) [172-4101](#) [21033836407](#) [2J-1865A](#) [2R7006A20A120](#) [426055400-3](#) [96CB-POWER-B-1.8M2](#) [2052KH2-BK](#)
[804001P03M050G](#) [2050KH1-BK](#) [216603-0037](#) [862545-5](#) [BXC-10567](#) [172-2555](#) [32102-022800-200-RS](#) [DC.CAB.8000.0300](#)
[DC.CAB.6400.0200](#) [AK-ND-C07](#) [AK-ND-C16](#) [DC.CAB.4600.0200](#) [DC.CAB.8400.0020](#) [DC.CAB.4201.0150](#) [DC.CAB.8200.0300](#)
[DC.CAB.6601.0200](#) [DC.CAB.6601.0020](#) [DC.CAB.4201.0200](#) [DC.CAB.8010.0020](#) [AK-ND-C12](#) [AK-ND-C06](#) [DC.EXT.4200.0300](#)
[DC.EXT.6200.0300](#) [DC.EXT.8200.0300](#) [DC.CAB.8400.0500](#) [DC.EXT.8610.0100](#) [DC.EXT.4600.0300](#) [AK-ND-C08](#) [AK-ND-C01](#)
[DC.CAB.6201.0200](#) [DC.CAB.8610.0020](#) [DC.CAB.8600.0500](#) [DC.EXT.8200.0500](#) [DC.CAB.8010.0150](#) [DC.EXT.6200.0100](#)
[DC.CAB.8410.0300](#) [DC.EXT.4200.0200](#) [AK-ND-C14](#) [AK-ND-C11](#) [DC.EXT.8610.0500](#) [DC.CAB.6600.0020](#)