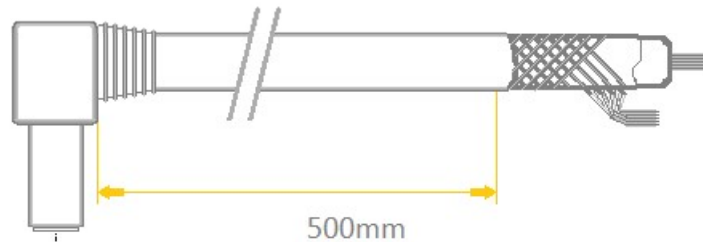
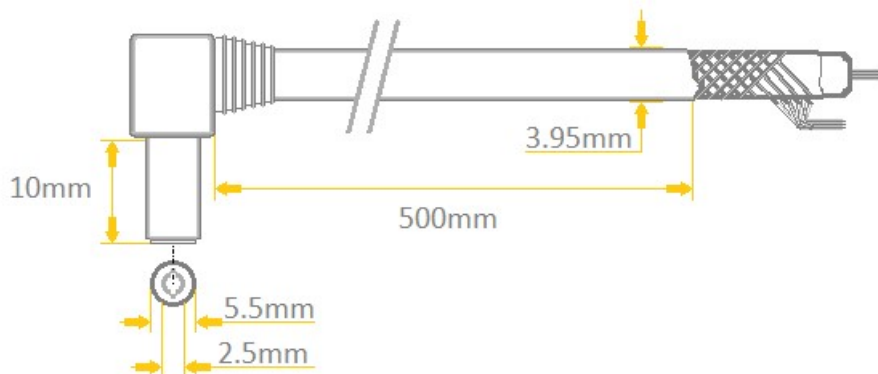




DC Power Cable 0.5m long , PLUG 2.5x5.5 mm - angled
flexible, multiwire conductors,
stranded of bare copper wires
coaxial **1.00mm²**



Model	A25-TT-C100-050WH
DC Plug (output)	2.5x5.5mm, angled (round plug, outer diameter 5.5mm, inner diameter 2.5mm)
DC Socket (input)	tinned terminals
Construction	flexible, multiwire conductors, stranded of bare annealed copper wires
Cable cross section	3.95mm
Wire diameter	1.00 mm² (coaxial)
Nominal voltage	0-100V
Rated current	5A
Length	50cm
Jacket	PVC
Color	White
Inner conductor	Cu
Insulation resistance	>100MΩ @ 500VDC
Insulation thickness	0.3mm
Allowable operation temperature	-20°C to 70°C
Maximum wire resistance	18.0 Ω/km @ 20°C



Marking System

model:

A25-TT-C100-050WH

1	2	3	4	5	6	7	8		
A	25	-	T T	-	C	100	-	050	WH

1 Input / Output (side 1)

P - straight plug

A - angled plug

S - socket

2 Plug / Socket dimensions (side 1)

07 - 0.7mm / 2.35mm

13 - 1.3mm / 3.5mm

40 - 1.7mm / 4.0mm

48 - 1.7mm / 4.8mm

55 - 1.7mm / 5.5mm

21 - 2.1mm / 5.5mm

25 - 2.5mm / 5.5mm

3 Input / Output (side 2)

P - straight plug

A - angled plug

S - socket

4 Plug / Socket dimensions (side 2)

T - tinned terminals

07 - 0.7mm / 2.35mm

13 - 1.3mm / 3.5mm

40 - 1.7mm / 4.0mm

48 - 1.7mm / 4.8mm

55 - 1.7mm / 5.5mm

21 - 2.1mm / 5.5mm

25 - 2.5mm / 5.5mm

5 cable type

C - YTLYek (coaxial)

T - TLYP

O - YTLY

6 wire diameter

035 - 0.35mm²

050 - 0.5mm²

075 - 0.75mm²

100 - 1.0mm²

7 length

050 - 500mm

150 - 1500mm

8 color

BK - black

WH - white

TR - transparent

X-ON Electronics

Largest Supplier of Electrical and Electronic Components

Click to view similar products for [DC Power Cords](#) category:

Click to view products by [WEST POL](#) manufacturer:

Other Similar products are found below :

[2R6006A20A120](#) [172-4000](#) [172-4101](#) [21033836407](#) [2J-1865A](#) [2R7006A20A120](#) [426055400-3](#) [420680840-3](#) [96CB-POWER-B-1.8M2](#)
[2052KH2-BK](#) [804001P03M050G](#) [2050KH1-BK](#) [216603-0037](#) [862545-5](#) [BXC-10567](#) [172-2555](#) [32102-022800-200-RS](#) [DC.CAB.8000.0300](#)
[DC.CAB.6400.0200](#) [AK-ND-C07](#) [AK-ND-C16](#) [DC.CAB.4600.0200](#) [DC.CAB.8400.0020](#) [DC.CAB.4201.0150](#) [DC.CAB.8200.0300](#)
[DC.CAB.6601.0200](#) [DC.CAB.6601.0020](#) [DC.CAB.4201.0200](#) [DC.CAB.8010.0020](#) [AK-ND-C12](#) [AK-ND-C06](#) [DC.EXT.4200.0300](#)
[DC.EXT.6200.0300](#) [DC.EXT.8200.0300](#) [DC.CAB.8400.0500](#) [DC.EXT.8610.0100](#) [DC.EXT.4600.0300](#) [AK-ND-C08](#) [AK-ND-C01](#)
[DC.CAB.6201.0200](#) [DC.CAB.8610.0020](#) [DC.CAB.8600.0500](#) [DC.EXT.8200.0500](#) [DC.CAB.8010.0150](#) [DC.EXT.6200.0100](#)
[DC.CAB.8410.0300](#) [DC.EXT.4200.0200](#) [AK-ND-C14](#) [AK-ND-C11](#) [DC.EXT.8610.0500](#)