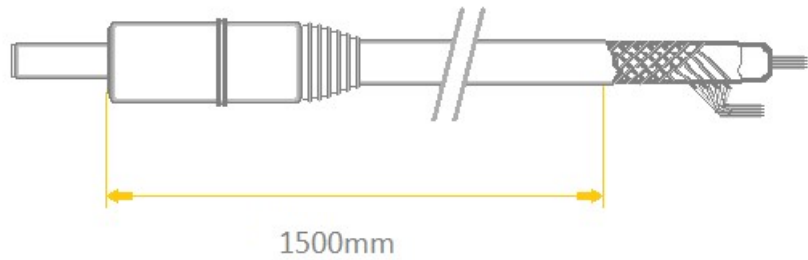
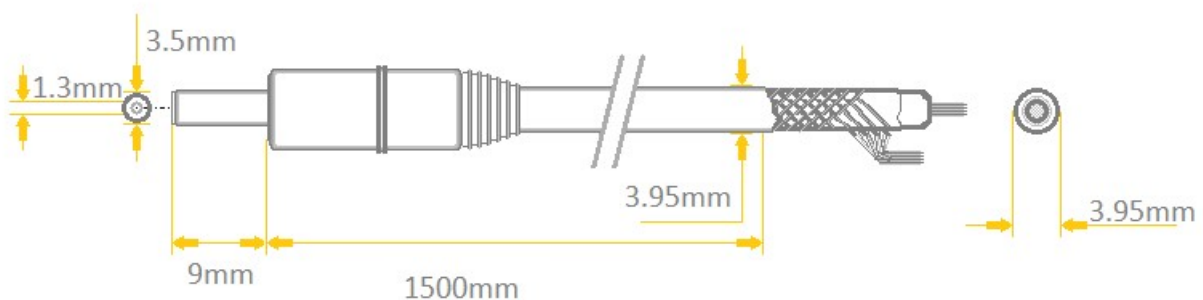




White DC Power Cable 1.5m long
PLUG 1.3x3.5 mm - straight
 flexible, multiwire conductors,
 stranded of bare copper wires
 coaxial **1mm²**



Model	P13-TT-C100-050BK
DC Plug (output)	1.3x3.5mm, straight (round plug, outer diameter 3.5mm, inner diameter 1.3mm)
DC Socket (input)	tinned terminals
Construction	flexible, multiwire conductors, stranded of bare annealed copper wires - coaxial
Cable cross section	3.95mm
Wire diameter	1mm²
Nominal voltage	0-150V
Rated current	5A
Length	150cm
Jacket	PVC
Color	Black
Inner conductor	Cu
Insulation resistance	>100MΩ @ 500VDC
Insulation thickness	0.3mm
Allowable operation temperature	-20°C to 70°C
Maximum wire resistance	18.0 Ω/km @ 20°C



Marking System

model:

P13-TT-C100-150BK

1	2	3	4	5	6	7	8			
P	13	-	T	T	-	C	100	-	150	BK

1 Input / Output (side 1)

P - straight plug
A - angled plug
S - socket

2 Plug / Socket dimensions (side 1)

07 - 0.7mm / 2.35mm
13 - 1.3mm / 3.5mm
40 - 1.7mm / 4.0mm
48 - 1.7mm / 4.8mm
55 - 1.7mm / 5.5mm
21 - 2.1mm / 5.5mm
25 - 2.5mm / 5.5mm

3 Input / Output (side 2)

P - straight plug
A - angled plug
S - socket

4 Plug / Socket dimensions (side 2)

T - tinned terminals
07 - 0.7mm / 2.35mm
13 - 1.3mm / 3.5mm
40 - 1.7mm / 4.0mm
48 - 1.7mm / 4.8mm
55 - 1.7mm / 5.5mm
21 - 2.1mm / 5.5mm
25 - 2.5mm / 5.5mm

5 cable type

C - YTLYek (coaxial)
T - TLYP
O - YTLY

6 wire diameter

035 - 0.35mm²
050 - 0.5mm²
075 - 0.75mm²
100 - 1.0mm²

7 lenght

050 - 500mm
150 - 1500mm

8 color

BK - black
WH - white
TR - transparent

X-ON Electronics

Largest Supplier of Electrical and Electronic Components

Click to view similar products for [DC Power Cords](#) category:

Click to view products by [WEST POL](#) manufacturer:

Other Similar products are found below :

[2R6006A20A120](#) [172-4000](#) [172-4101](#) [21033836407](#) [2J-1865A](#) [2R7006A20A120](#) [426055400-3](#) [420680840-3](#) [96CB-POWER-B-1.8M2](#)
[2052KH2-BK](#) [804001P03M050G](#) [2050KH1-BK](#) [216603-0037](#) [862545-5](#) [BXC-10567](#) [172-2555](#) [32102-022800-200-RS](#) [DC.CAB.8000.0300](#)
[DC.CAB.6400.0200](#) [AK-ND-C07](#) [AK-ND-C16](#) [DC.CAB.4600.0200](#) [DC.CAB.8400.0020](#) [DC.CAB.4201.0150](#) [DC.CAB.8200.0300](#)
[DC.CAB.6601.0200](#) [DC.CAB.6601.0020](#) [DC.CAB.4201.0200](#) [DC.CAB.8010.0020](#) [AK-ND-C12](#) [AK-ND-C06](#) [DC.EXT.4200.0300](#)
[DC.EXT.6200.0300](#) [DC.EXT.8200.0300](#) [DC.CAB.8400.0500](#) [DC.EXT.8610.0100](#) [DC.EXT.4600.0300](#) [AK-ND-C08](#) [AK-ND-C01](#)
[DC.CAB.6201.0200](#) [DC.CAB.8610.0020](#) [DC.CAB.8600.0500](#) [DC.EXT.8200.0500](#) [DC.CAB.8010.0150](#) [DC.EXT.6200.0100](#)
[DC.CAB.8410.0300](#) [DC.EXT.4200.0200](#) [AK-ND-C14](#) [AK-ND-C11](#) [DC.EXT.8610.0500](#)