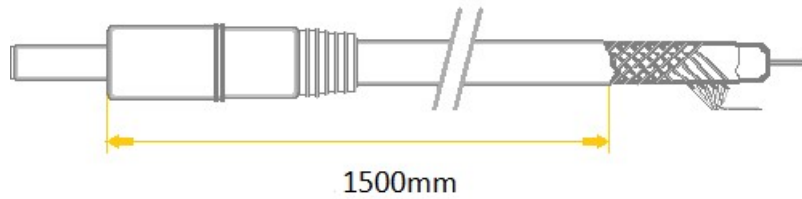
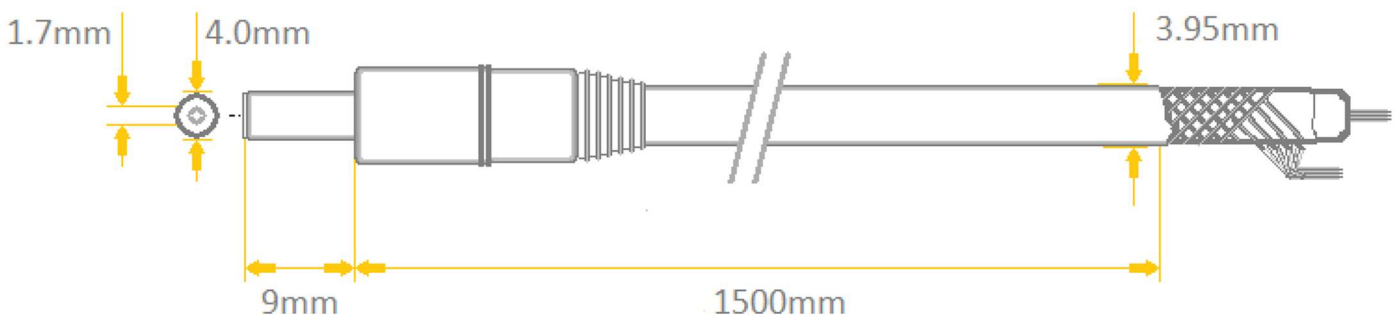




**White DC Power Cable 1.5m long**  
**PLUG 1.7x4.0 mm - straight**  
 flexible, multiwire conductors,  
 stranded of bare copper wires  
 coaxial **1.00mm<sup>2</sup>**



Model	P40-TT-C100-150BK
DC Plug (output)	1.7x4.0mm, straight (round plug, outer diameter 4.0mm, inner diameter 1.7mm)
DC Socket (input)	tinned terminals
Construction	flexible, multiwire conductors, stranded of bare annealed copper wires - coaxial
Cable cross section	3.95mm
Wire diameter	<b>1.00mm<sup>2</sup></b>
Nominal voltage	0-150V
Rated current	5A
Length	150cm
Jacket	PVC
Color	Black
Inner conductor	Cu
Insulation resistance	>100MΩ @ 500VDC
Insulation thickness	0.3mm
Allowable operation temperature	-20°C to 70°C
Maximum wire resistance	18.0 Ω/km @ 20°C





## Marking System

model:

**P40-TT-C100-150BK**

1	2	3	4	5	6	7	8			
<b>P</b>	<b>40</b>	<b>-</b>	<b>T</b>	<b>T</b>	<b>-</b>	<b>C</b>	<b>100</b>	<b>-</b>	<b>150</b>	<b>BK</b>

<b>1</b>	<b>Input / Output (side 1)</b>	<p><b>P</b> - straight plug  <b>A</b> - angled plug  <b>S</b> - socket</p>
<b>2</b>	<b>Plug / Socket dimensions (side 1)</b>	<p><b>07</b> - 0.7mm / 2.35mm  <b>13</b> - 1.3mm / 3.5mm  <b>40</b> - 1.7mm / 4.0mm  <b>48</b> - 1.7mm / 4.8mm  <b>55</b> - 1.7mm / 5.5mm  <b>21</b> - 2.1mm / 5.5mm  <b>25</b> - 2.5mm / 5.5mm</p>
<b>3</b>	<b>Input / Output (side 2)</b>	<p><b>P</b> - straight plug  <b>A</b> - angled plug  <b>S</b> - socket</p>
<b>4</b>	<b>Plug / Socket dimensions (side 2)</b>	<p><b>T</b> - tinned terminals  <b>07</b> - 0.7mm / 2.35mm  <b>13</b> - 1.3mm / 3.5mm  <b>40</b> - 1.7mm / 4.0mm  <b>48</b> - 1.7mm / 4.8mm  <b>55</b> - 1.7mm / 5.5mm  <b>21</b> - 2.1mm / 5.5mm  <b>25</b> - 2.5mm / 5.5mm</p>
<b>5</b>	<b>cable type</b>	<p><b>C</b> - YTLYek (coaxial)  <b>T</b> - TLYP  <b>O</b> - YTLY</p>
<b>6</b>	<b>wire diameter</b>	<p><b>035</b> - 0.35mm<sup>2</sup>  <b>050</b> - 0.5mm<sup>2</sup>  <b>075</b> - 0.75mm<sup>2</sup>  <b>100</b> - 1.0mm<sup>2</sup></p>
<b>7</b>	<b>length</b>	<p><b>050</b> - 500mm  <b>150</b> - 1500mm</p>
<b>8</b>	<b>color</b>	<p><b>BK</b> - black  <b>WH</b> - white  <b>TR</b> - transparent</p>

## X-ON Electronics

Largest Supplier of Electrical and Electronic Components

*Click to view similar products for [DC Power Cords](#) category:*

*Click to view products by [WEST POL](#) manufacturer:*

Other Similar products are found below :

[2R6006A20A120](#) [172-4000](#) [172-4101](#) [21033836407](#) [2J-1865A](#) [2R7006A20A120](#) [426055400-3](#) [420680840-3](#) [96CB-POWER-B-1.8M2](#)  
[2052KH2-BK](#) [804001P03M050G](#) [2050KH1-BK](#) [216603-0037](#) [862545-5](#) [BXC-10567](#) [172-2555](#) [32102-022800-200-RS](#) [DC.CAB.8000.0300](#)  
[DC.CAB.6400.0200](#) [AK-ND-C07](#) [AK-ND-C16](#) [DC.CAB.4600.0200](#) [DC.CAB.8400.0020](#) [DC.CAB.4201.0150](#) [DC.CAB.8200.0300](#)  
[DC.CAB.6601.0200](#) [DC.CAB.6601.0020](#) [DC.CAB.4201.0200](#) [DC.CAB.8010.0020](#) [AK-ND-C12](#) [AK-ND-C06](#) [DC.EXT.4200.0300](#)  
[DC.EXT.6200.0300](#) [DC.EXT.8200.0300](#) [DC.CAB.8400.0500](#) [DC.EXT.8610.0100](#) [DC.EXT.4600.0300](#) [AK-ND-C08](#) [AK-ND-C01](#)  
[DC.CAB.6201.0200](#) [DC.CAB.8610.0020](#) [DC.CAB.8600.0500](#) [DC.EXT.8200.0500](#) [DC.CAB.8010.0150](#) [DC.EXT.6200.0100](#)  
[DC.CAB.8410.0300](#) [DC.EXT.4200.0200](#) [AK-ND-C14](#) [AK-ND-C11](#) [DC.EXT.8610.0500](#)