

90-163

90 SERIES 3 POLE MECHANICAL CONTACTORS

Designed for air conditioning and heating equipment.

FEATURES

- Any position mounting
- Interchangeable mounting plate
- Low wattage coil
- Double break contacts ensure positive make and break

SPECIFICATIONS

Approximate Overall Dimensions 3.00"H X 2.38"W X 3.75"D
 Temperature Range..... -40°F to 150°F
 Mechanical / Electrical Life..... Conforms to UL and ARI specifications
 Coil Voltage / Frequency / Insulation.....24, 120, 208, 240 VAC / 50-60 Hz / Class B (130°C)
 Termination.....Screw terminals or lugs and double 1/4" Q.C.
 Operate..... 85% - 110% of nominal coil voltage
 Duty Cycle..... Continuous
 Weight (approximate) 16 oz.
 UR/CUR File Number E355680
 CE Approved

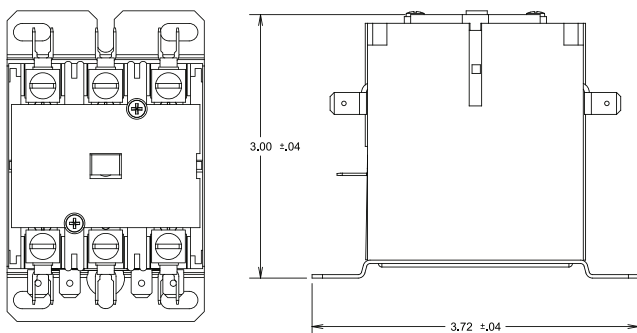
90 SERIES 3 POLE MECHANICAL CONTACTORS - COIL DATA

VOLTAGE AC	MODEL	RES DC OHMS	CURRENT MA	NOMINAL VA	MAX. INRUSH VA	MODEL NUMBER	ITEM NUMBER
24	30 AMP	7.0	208	5.0	60	90-163	90 163S1
24	40 AMP	7.0	208	5.0	60	90-170	90 170S1
120	30 AMP	175	42	5.0	60	90-164	90 164S1
120	40 AMP	175	42	5.0	60	90-171	90 171S1
208 / 240	30 AMP	665	21	5.0	60	90-165	90 165S1
208 / 240	40 AMP	665	21	5.0	60	90-172	90 172S1

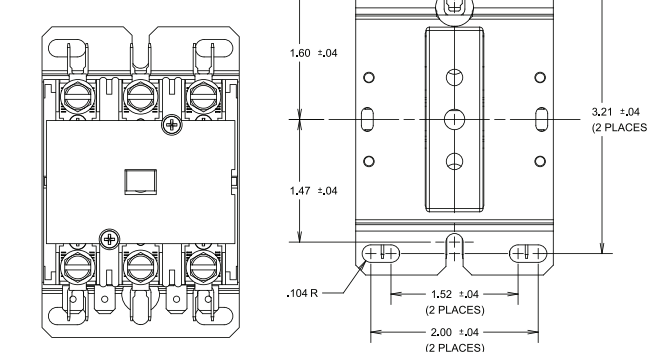
90 SERIES 2 POLE MECHANICAL CONTACTORS - CONTACT RATINGS

VOLTAGE AC	FLA	LRA	RES	TYPE
240 / 277	30	180	40	90-163 thru 90-165
480	30	150	40	90-163 thru 90-165
600	30	120	40	90-163 thru 90-165
240 / 277	40	240	50	90-170 thru 90-172
480	40	200	50	90-170 thru 90-172
600	40	160	50	90-170 thru 90-172

40 AMP WITH LUGS



30 AMP WITH SCREW TERMINALS



X-ON Electronics

Largest Supplier of Electrical and Electronic Components

Click to view similar products for [Contactors - Electromechanical category](#):

Click to view products by [White-Rodgers manufacturer](#):

Other Similar products are found below :

[6-1618400-7](#) [686-117111](#) [686-120111](#) [686-924](#) [686-948](#) [70-901](#) [70-914](#) [MB-3D-6](#) [MC-22A/4-AC120V](#) [8-1616943-9](#) [8-1672124-5](#)
[A40-30-10-84](#) [120-905](#) [A701U](#) [120-904](#) [1393132-9](#) [154-905](#) [154-912](#) [154-913](#) [154-915](#) [154-902](#) [154-910](#) [AVR743D](#) [B6-40-00-84](#) [B7-40-00-84](#) [1616017-5](#) [1616021-1](#) [MVDILM](#) [HP-11D-24](#) [P25-E5019-1](#) [P30C47A12D1-120](#) [P40C47A12D1-120](#) [P40P47D13P1-24-01](#) [CA7-12-10-240](#) [CA7-72-00-24Z](#) [90-162](#) [9-1393132-2](#) [2NC4F0222](#) [A275KXXV2-120VAC](#) [ACC338UMM20](#) [AF80-30-11-13](#) [SZ-B1](#) [CGC-9A-120](#) [3GC2H0M22](#) [3NC0T0A22](#) [3NC1Q0A22](#) [3NC2H0A22](#) [3NC2T0122/SE](#) [3TF3400-0BB4](#) [MC-12B-DC24V](#)