

90-340

90-340 THRU 90-342 RELAYS

Two pole double throw semi-enclosed relays.

FEATURES

- Easy to install
- Suited for use in vending machines, appliances, heating and air conditioning applications and general purpose switching
- 90-340 fits fan control centers 90-112, 90-113, 90-118E and 90-119

SPECIFICATIONS

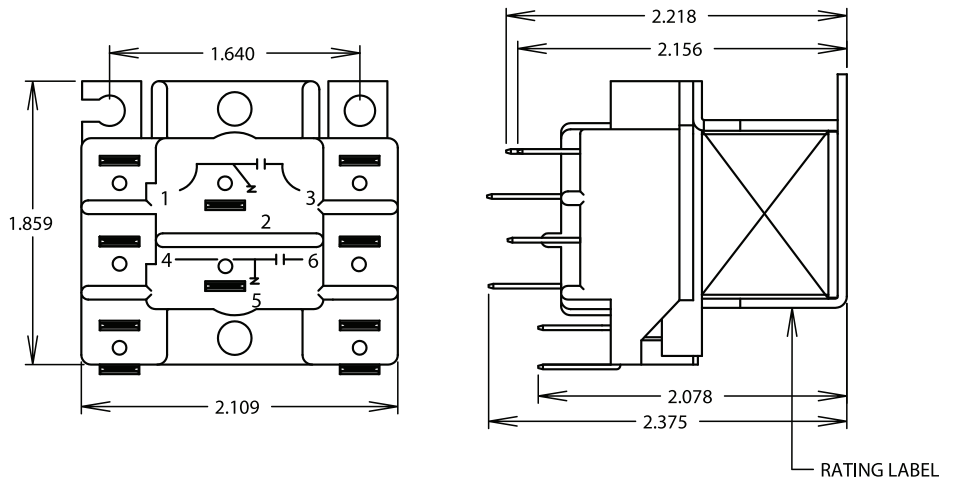
Temperature Range..... -40°F to 130°F
 Mechanical Life (no load)..... 1,000,000 operations, 120 operations/min.
 Electrical Life (rated load) 100,000 operations, 6 operations/min.
 Load test making inrush ratings (0.4 to 0.5 Power Factor)
 Breaking 100% continuous rating (0.65 to 0.8 Power Factor)
 Weight (approximate) 6 oz.
 Coils, Frequency 50 / 60 Hz
 Coils, Insulation Class B
 Coils, Termination 1/4" Quick Connect
 Coils, Operate..... 85% of nominal coil voltage; 110% maximum safe operate
 Coils, Duty Cycle..... Continuous
 UR/CUR File NumberE12139
 CSA/CUS Certificate Number.....LR13360

90-340 THRU 90-342 RELAYS - Two pole double throw (2PDT) fits fan control center receptacles

COIL VOLTAGE (50 / 60 HZ)	TERMINALS 1-2-3	TERMINALS 4-5-6	COIL DATA DC RES.	COIL DATA MA	COIL DATA NOM. VA	COIL DATA INRUSH VA	MODEL NUMBER	ITEM NUMBER
24	Power	Power	17.5	334	9.5	22	90-340	90 340S1
120	Power	Power	420	66	9.5	22	90-341	90 341S1
208 / 240	Power	Power	1600	38	9.5	22	90-342	90 342S1

CONTACT RATINGS

- 12FLA / 60LRA
- 125 VAC
- 6FLA 35LRA
- 240 / 277 VAC
- 15A 277 VAC RES
- 1/2HP 125 / 250 VAC



X-ON Electronics

Largest Supplier of Electrical and Electronic Components

Click to view similar products for [General Purpose Relays](#) category:

Click to view products by [White-Rodgers](#) manufacturer:

Other Similar products are found below :

[PCN-105D3MH,000](#) [59641F200](#) [5JO-1000CD-SIL](#) [LY1SAC110120](#) [5X827E](#) [5X837F](#) [5X840F](#) [5X842F](#) [5X848E](#) [LY2N-AC120](#) [LY2S-AC220/240](#) [LY2-US-AC120](#) [LY3-US-AC120](#) [LY4F-UA-DC12](#) [LY4F-UA-DC24](#) [LY4F-US-AC120](#) [LY4F-US-AC240](#) [LY4F-US-DC24](#) [LY4F-VD-AC110](#) [LYQ20DC12](#) [M115C60](#) [M115N010](#) [M115N0150](#) [6031007G](#) [603-12D](#) [61211T0B4](#) [61212T400](#) [61222Q400](#) [61243B600](#) [61243C500](#) [61243Q400](#) [61311BOA2](#) [61311BOA6](#) [61311BOA8](#) [61311C0A2](#) [61311COA1](#) [61311COA6](#) [61311F0A2](#) [61311QOA1](#) [61311QOA4](#) [61311T0D6](#) [61311TOA6](#) [61311TOA7](#) [61311TOB3](#) [61311TOB4](#) [61311U0A6](#) [61312Q600](#) [61312T400](#) [61312T600](#) [61313U200](#)