

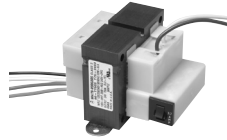
CLASS 2 TRANSFORMERS

Class 2 Transformers

592 Series



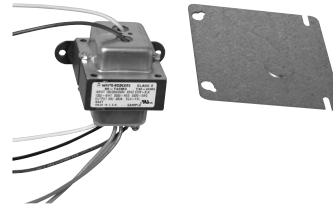
C Series



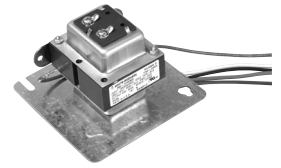
F Series



M Series



S Series



All Primaries 50/60 Hz.

STANCOR PART NUMBER	Input Voltage	Hz	Output Voltage	Output Current	VA	Mounting	Pri Term	Sec Term	DIMENSIONS - INCHES				Weight (lbs.)	Agency [®] Certification
									H	W	D	MW		
A 592-9012	120	50/60	24	1.67	40	Foot	1/4 QC	1/4 QC	2.25	3.69	2.25	3.13	1.5	UL/CSA
592-9013	240	50/60	24	1.67	40	Foot	1/4 QC	1/4 QC	2.25	3.69	2.25	3.13	1.5	UL/CSA
592-9016	120/240	50/60	24	1.67	40	Foot	1/4 QC	1/4 QC	2.25	3.69	2.25	3.13	1.5	UL/CSA
592-9017	208/240	50/60	24	1.67	40	Foot	1/4 QC	1/4 QC	2.25	3.69	2.25	3.13	1.5	UL/CSA
592-9018	120/208/240	50/60	24	1.67	40	Foot	1/4 QC	1/4 QC	2.25	3.69	2.25	3.13	1.5	UL/CSA
B T40-24F1	120	60	24	1.67	40	Foot	Leads	Leads	2.75	3.25	2.19	2.81	1.36	cUL US
T40-24F2	208/240	50/60	24	1.67	40	Foot	Leads	Leads	2.75	3.25	2.19	2.81	1.44	cUL US
T40-24F3	120/208/240	60	24	1.67	40	Foot	Leads	Leads	2.75	3.25	2.19	2.81	1.44	cUL US
T40-24	120/208/240	50/60	24	1.67	40	Foot	Leads	Leads	2.25	3.69	2.31	3.17	1.75	cUL US
T50-24F3	120/208/240	60	24	2.08	50	Foot	Leads	Leads	2.75	3.25	2.62	2.81	1.96	cUL US
C T40-24M1	120	60	24	1.67	40	Universal*	Leads	Leads	2.75	3.25	2.44	2.81	1.85	cUL US
T40-24M2	208/240	50/60	24	1.67	40	Universal*	Leads	Leads	2.75	3.25	2.44	2.81	1.85	cUL US
T40-24M3	120/208/240	60	24	1.67	40	Universal*	Leads	Leads	2.75	3.25	2.44	2.81	1.85	cUL US
T50-24M3	120/208/240	60	24	2.08	50	Universal*	Leads	Leads	2.75	3.25	2.81	2.81	2.10	cUL US
D T40-24S1	120	60	24	1.67	40	Universal*	Leads	Screw	2.75	3.25	2.44	2.81	1.85	cUL US
T40-24S2	208/240	50/60	24	1.67	40	Universal*	Leads	Screw	2.75	3.25	2.44	2.81	1.85	cUL US
T40-24S3	120/208/240	60	24	1.67	40	Universal*	Leads	Screw	2.75	3.25	2.44	2.81	1.85	cUL US
T50-24S3	120/208/240	60	24	2.08	50	Universal*	Leads	Screw	2.75	3.25	2.81	2.81	2.10	cUL US
E T50-24C3	120/208/240	50/60	24	2.08	50	Foot	Leads	Leads	2.62	4.00	3.25	3.56	2.12	cUL US
T60-24C3	120/208/240	50/60	24	2.50	60	Foot	Leads	Leads	2.62	4.00	3.25	3.56	2.19	cUL US
T75-24C3	120/208/240	50/60	24	3.12	75	Foot	Leads	Leads	2.62	4.00	3.53	3.56	2.48	cUL US
T100-25C1	120	60	25	4.00	100	Foot	Leads	Leads	2.62	4.00	3.38	3.56	2.65	cUL US
T100-25C2	208/240	50/60	25	4.00	100	Foot	Leads	Leads	2.62	4.00	3.63	3.56	3.00	cUL US

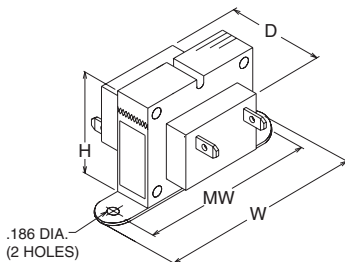
* Universal mounting includes 4 x 4 Plate

For additional outline drawings refer to page 44.

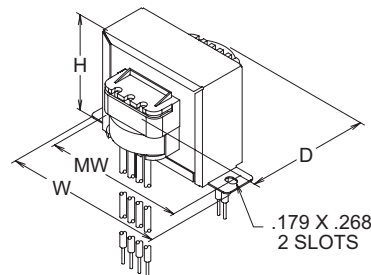
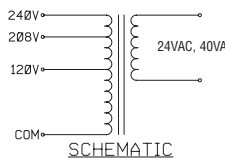
© Agency Certification Note: UL Recognized (File E-109254)

CSA Certified (File LR 67888)

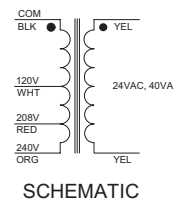
UL Recognized for use in the U.S. and Canada (File E-33334)



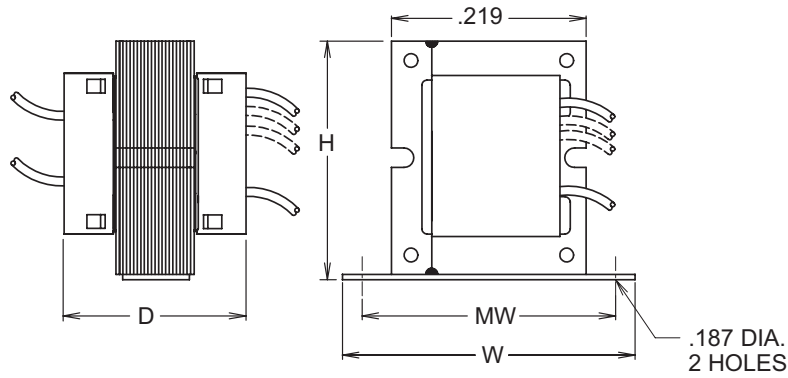
592 Series



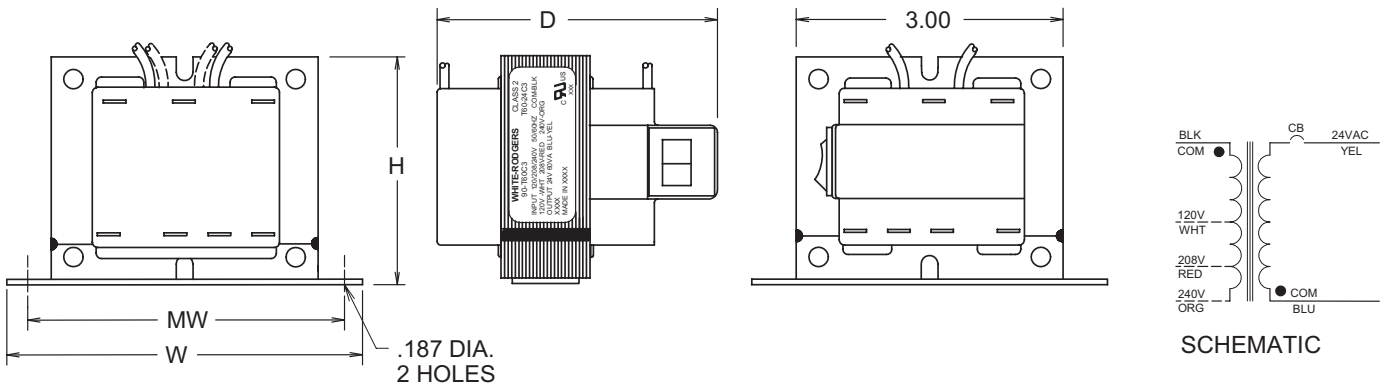
T40-24



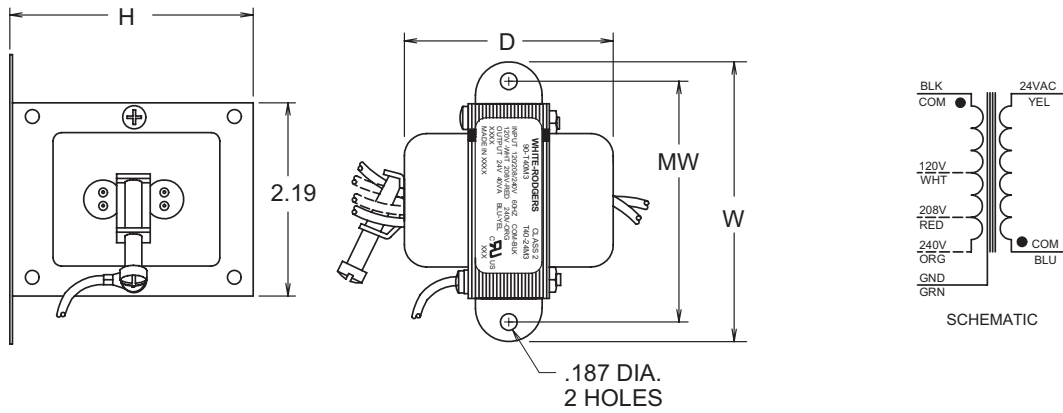
CLASS 2 TRANSFORMERS



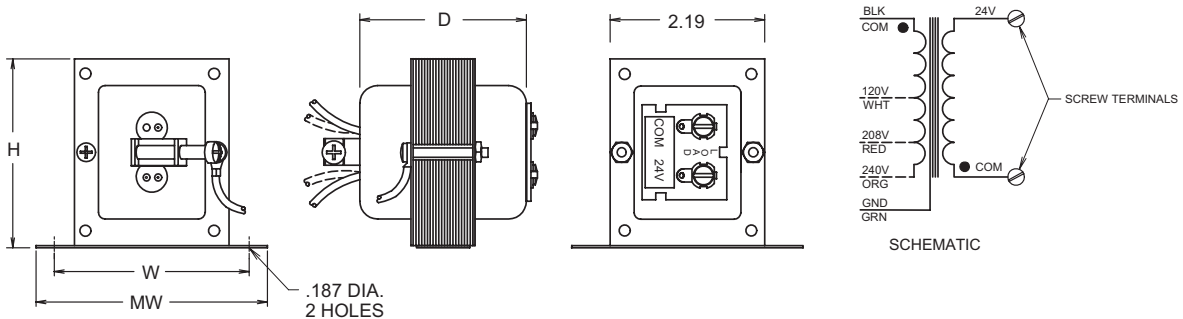
F Series: T4024F1, T40-24F2, T40-24F3, T50-24F3



C Series: T50-24C3, T60-24C3, T75-24C3, T100-25C1, T100-25C2



M Series: T40-24M1, T40-24M2, T40-24M3, T50-24M3



S Series: T40-24S1, T40-24S2, T40-24S3, T50-24S3

• Like polarity

X-ON Electronics

Largest Supplier of Electrical and Electronic Components

Click to view similar products for [White-Rodgers](#) manufacturer:

Other Similar products are found below :

[90-380](#) [129-902](#) [129-907](#) [129AR-902](#) [129AR-901](#) [154-905](#) [154-912](#) [154-915](#) [184-913](#) [T40-24S3](#) [T50-24S3](#) [3L05-10](#) [3L09-12](#) [3L09-13](#)
[3L09-14](#) [3L09-15](#) [3L09-19](#) [3L09-2](#) [3L09-20](#) [3L09-27](#) [3L09-4](#) [3F01-140](#) [3L05-2](#) [3L09-1](#) [3L09-10](#) [3L09-16](#) [3L09-17](#) [3L09-18](#) [3L09-22](#)
[3L09-24](#) [3L09-25](#) [3L09-3](#) [3L09-5](#) [3L09-7](#) [STO230](#) [T50-24M3](#) [T40-24M3](#) [90-T50F3](#) [50A55-843](#) [11B18-101](#) [90-165](#) [586 117111](#) [686-924](#)
[686-948](#) [11D31-1](#) [120-105711](#) [120-914](#) [90-372](#) [90-T60C3](#) [F811-0421](#)