

Data sheet

Commercial Art.No.: 46.032.4554.9

Connector RST16I3/2S S1 ZT4S H BL

RST16i3/2 connector, 2 pole, male, screw connection, application 250/400V, 16A, for cable diameters 5.0-9.5mm, coding color light blue, color of housing black



Commercial Art.No.	46.032.4554.9
EAN	4049088295942
Order Unit	1

Certificates / Approvals



Technical data

General

Rated current	16 A
Rated voltage	250 V
Rated voltage 2	400 V
Rated impulse voltage	4 kV
Strain relief	Yes
Pollution degree	3
Lockable	self-locking (unlocking by hand)
Color of coding/ contact carrier	Light blue
Marking of poles	1, 2
Color of housing inclusive strain relief	Black

Connection Data

Cable diameter max.	9.5 mm
Cable diameter min.	5 mm
Connection cross section solid mm ² max.	2.5 mm ²
Connection cross section solid mm ² min.	0.25 mm ²
Connection cross section fine stranded mm ² max.	1.5 mm ²
Connection cross section fine stranded mm ² min.	0.25 mm ²
Terminations per pole	1
Connection cross section stranded mm ² min.	0.25 mm ²
Connection cross section stranded mm ² max.	1.5 mm ²
sheath strip length	25 mm
Wire strip length	8 mm

Model

Model	male
Connection type	Screw connection
Degree of protection (IP)	IP66/68 (3m;2h) /IP69

Material

Housing material	Polyamide
------------------	-----------

Halogen free	Yes
Contact material	CuZn
Fire load	0 kWh
Insulation components continuous temperature	100 °C
Surface finish	Silver-plated

Dimensions

Length	64 mm
Width	19.9 mm
Height	19.9 mm

Classification

ECLASS 8.1	27440605
ETIM 7.0	EC002560
ETIM 6.0	EC002560
ETIM 5.0	EC002560
ETIM 4.0	EC002560

Note

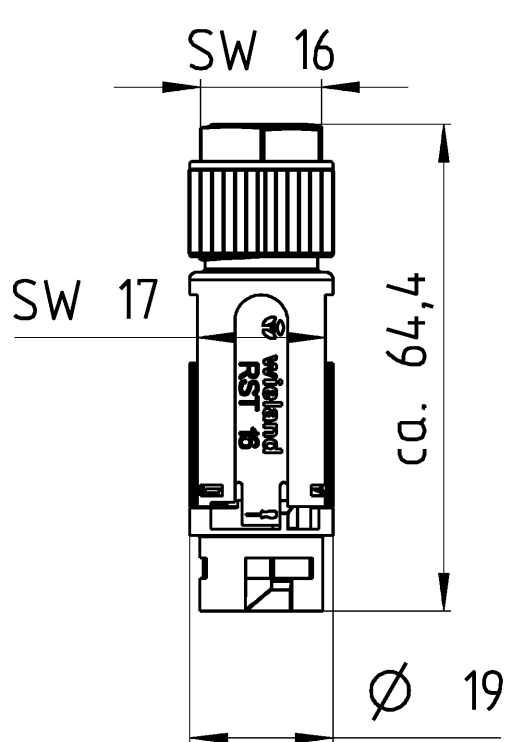
Note	fine-stranded and stranded wires have to be used without ferrules
------	---

A Weitergabe sowie Vervielfältigung dieses Dokuments, Verwertung und Mitteilung seines Inhalts sind verboten, soweit nicht ausdrücklich gestattet.
The reproduction, distribution and utilization of this document as well as the communication of its contents to others without express authorization is prohibited.

B These dimensions will be especially checked at delivery
Only inspection dimensions
With IE marked dimensions are only valid for internal use

C Diese Maße werden bei Abnahme besonders geprüft
Ausschließlich Prüfmaße
Mit IE gekennzeichnete Maße sind nur für interne Zwecke gültig

F



Kodierung/
Coding



C1



C2



C3



C4



C5

X-ON Electronics

Largest Supplier of Electrical and Electronic Components

Click to view similar products for [Unspecified Connectors](#) category:

Click to view products by [Wieland](#) manufacturer:

Other Similar products are found below :

[1-21107-1](#) [RAD-OUT-8D-REL](#) [RF-17S1N8A80DU](#) [2-21053-5](#) [PSC-28-1](#) [38111](#) [403000A10M050](#) [1-1589688-1](#) [QUINT-PS/1AC/48DC/10](#)
[99 9113 02 05](#) [578302](#) [578286](#) [130623](#) [186316](#) [153253](#) [186328](#) [153276](#) [153341](#) [153322](#) [153354](#) [193951](#) [130642](#) [1713941](#) [HC-DD72-I-](#)
[CT-F](#) [VC-AR1/2M-S88-SET](#) [RC-5AS2000](#) [RC-Z2068](#) [VC-TR5/6M](#) [RAD-900-CONF-RF1](#) [RAD-CON-SMA-N-SS](#) [RAD-ISM-900-ANT-](#)
[OMNI-0-6](#) [RAD-PIG-EF316-N-RSMA](#) [RIF-0-RPT-12DC/21](#) [RIF-1-BPT/2X21](#) [RIF-1-RPT-LV-120AC/2X21AU](#) [RIF-RH-1](#) [SIM-AMSC1](#)
[PV-FT-C2F-HSG](#) [HC-EVO-B06-HHFS-2B-PL-BK](#) [99 0210 00 04](#) [801377](#) [803579](#) [710-00007](#) [122.005-6](#) [122.012-10](#) [122.018-10](#) [122.038-6](#)
[125.038-8](#) [135.016](#) [136.0804](#)