

OEM compact pressure switch Socket wrench mounting Model PSM01

WIKA data sheet PV 34.81

Applications

- Hydraulics and mobile hydraulics
- Pneumatics
- Plastics injection moulding machines
- General machine building and plant construction
- Media: Compressed air, neutral and self-lubricating fluids, neutral gases

Special features

- High reproducibility
- Compact design
- Setting ranges from 0.2 ... 2 bar to 40 ... 400 bar
- Long service life due to high-quality micro switch
- Socket wrench mounting



OEM compact pressure switch, socket wrench mounting, model PSM01

Description

Model PSM01 screw-in pressure switches in a diaphragm or piston variant open or close a circuit, depending on whether the pressure is dropping or rising. An adjustment screw enables easy and convenient on-site setting of the required switch point. Optionally, WIKA offers its customers the factory setting of the switch point.

The model PSM01 pressure switch is suitable for applications where compressed air, neutral and self-lubricating fluids as well as neutral gases are used.

The high reproducibility of the switch point of $\pm 2\%$ and the optional socket wrench mounting make this switch interesting for both OEM and small customers.

Standard version

Case

Steel, galvanised

Reproducibility

±2 % of full scale value

Permissible temperature

Ambient: -20 ... +80 °C

Medium: -20 ... +80 °C

Process connection

Steel, galvanised

G 1/8, G 1/4, 1/8 NPT, 1/4 NPT, R 1/8 or M10 x 1

Measuring element

Diaphragm or piston with compression spring

Sealing

Diaphragm: NBR or EPDM

Piston: PTFE (dynamic) and NBR, EPDM or Viton® (static)

Switch contacts

High-quality snap-action switch, self-cleaning

Switching function

Selectable: Normally open, normally closed, change-over contact

Switching power

Switching voltage: DC / AC 5 ... 50 V

Switching current: 5 mA ... 2 A

Electrical connection

Blade terminal FASTON 3 x 6.3 x 0.8

Switching frequency

max. 100/min

Service life

> 10⁶ switching cycles

Ingress protection

IP 00 (IP 67 with electrical connection M12 x 1 or cable)

Viton® fluoroelastomer is a registered trademark of DuPont Performance Elastomers.

Setting ranges, max. working pressure, measuring principle, hysteresis

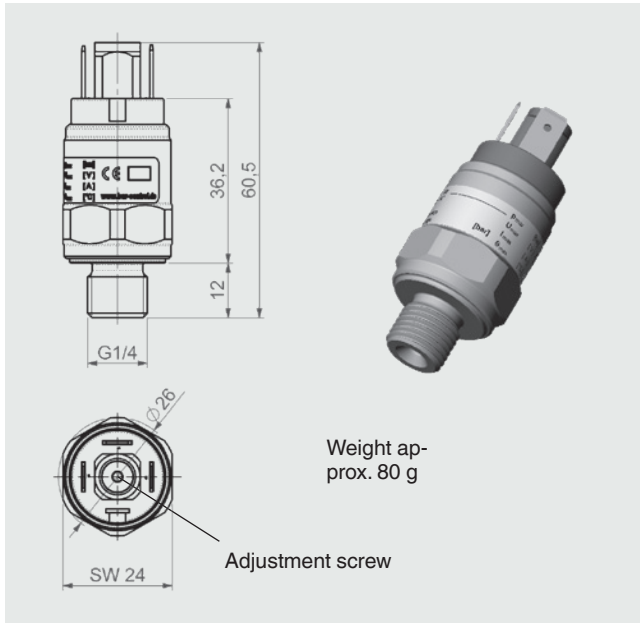
| Setting ranges in bar | Max. working pressure in bar | Measuring principle | Hysteresis |
|-----------------------|------------------------------|---------------------|--|
| 0.2 ... 2 | 60 | Diaphragm | <p>Example: At a switch point of 3 bar the hysteresis is 0.3 bar.</p> |
| 0.5 ... 8 | | | |
| 1 ... 16 | | | |
| 10 ... 30 | 350 | Piston | <p>Example: At a switch point of 100 bar the hysteresis is 18 bar.</p> |
| 10 ... 80 | | | |
| 10 ... 160 | | | |
| 20 ... 250 | | | |
| 30 ... 320 | | | |
| 40 ... 400 | 600 | | |

Options

- Factory setting of the switch point
- Case and process connection from stainless steel
- Other materials on request
- Electrical connection M12 x 1 or cable
- Permissible ambient and medium temperature
-30 ... +100 °C

Dimensions in mm

Standard version

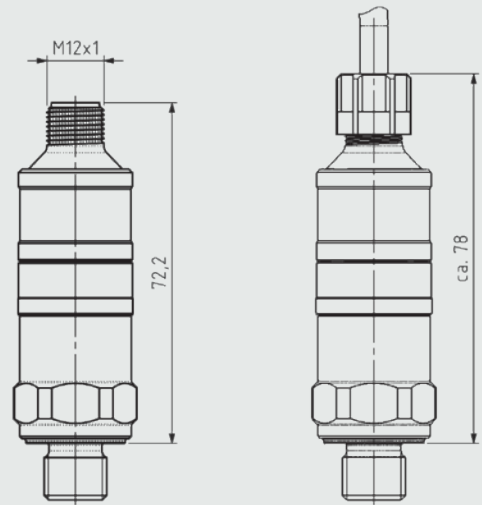


Option

Electrical connection

M12 x 1

Cable



Ordering information

Model / Setting range / Switching function / Process connection / Sealing / Electrical connection / Options

© 2013 WIKA Alexander Wiegand SE & Co. KG, all rights reserved.
The specifications given in this document represent the state of engineering at the time of publishing.
We reserve the right to make modifications to the specifications and materials.



X-ON Electronics

Largest Supplier of Electrical and Electronic Components

Click to view similar products for [Control Switches](#) category:

Click to view products by [Wika](#) manufacturer:

Other Similar products are found below :

[80887-99](#) [80932-99](#) [86855-00](#) [88814-30](#) [89721-12](#) [89804-08](#) [EX0011-1](#) [SSN](#) [RL01801](#) [50051857-17](#) [50099156-001-05](#) [51.155R-15200](#)
[50058920-26](#) [KMK-PA](#) [RAL9005](#) [M16](#) [ACCU-SC/L-3000](#) [PORTAPRO](#) [CFPS-73-48M](#) [WEL.PT-O6](#) [WEL.PT-L8](#) [WEL.PT-K7](#) [WEL.PT-](#)
[H7](#) [WEL.PT-E9](#) [WEL.PT-D7](#) [WEL.PT-B7](#) [WEL.PT-AA9](#) [WEL.PT-AA8](#) [WEL.PT-A8](#) [WEL.LT-F](#) [WEL.LT-4](#) [WEL.LT-1LX](#) [WEL.LT-1L](#)
[WEL.ET-BB](#) [WEL.CT5B7](#) [WEL.51361699](#) [RGFRA1903041A1T](#) [PLC-60/75](#) [PLC-30/40](#) [PLC-24/30](#) [PLC-40/55](#) [LOC-MIKSER2](#) [8522808](#)
[CC-100N](#) [V8Y-11Z-Y](#) [V8Y-11Z-R](#) [V8Y-11Z-O](#) [V8Y-11Z-24R](#) [V8Y-11Z-24O](#) [V8Y-11Z-230B](#) [V8Y-11-230W](#) [V8Y-11-230O](#)