

Expansion thermometer Model 70, stainless steel version

WIKA data sheet TM 81.01



for further approvals
see page 8

Applications

- General-purpose temperature measuring instruments for gaseous, liquid and highly-viscous process media in harsh working environments
- Refrigeration industry
- Machine building

Special features

- Case and stem made of stainless steel
- Design per EN 13190
- Different designs of connection and mounting
- With capillary
- With various fixed connections



Fig. left: expansion thermometer model M70.50.100
Fig. right: expansion thermometer model B70.50.063

Description

This series of thermometers is universally suitable for machine building, refrigeration and air-conditioning industry. Expansion thermometers can be installed in or mounted at nearly all locations. Versions with capillaries are used in locations which are not easily accessible and where long distances have to be bridged.

Case, capillary, stem and process connection are made from stainless steel. Various insertion lengths and process connections are available to match the requirements of each measuring location optimally.

Standard version

Measuring principle

Bourdon tube system

Nominal size in mm

63, 100, 160

Design of connection

- 1 Plain stem (without thread)
- 2 Male nut
- 3 Union nut
- 4 Compression fitting (sliding on stem)
- 5 Union nut with fitting
- 6 Compression fitting (sliding on capillary)

Instrument version and type of mounting

- B Instruments with capillary; centre back mount triangular bezel with bracket
- H Instruments with capillary; lower mount (radial) surface mounting flange
- M Instruments with capillary; lower mount (radial) surface mounting bracket, aluminium die cast
- V Instruments with capillary; back mount ¹⁾ panel mounting flange
- A Back mount ¹⁾, fix plain stem, threaded connection or thermowell
- R Lower mount (radial), fix plain stem, threaded connection or thermowell
- S Back mount ¹⁾, fix plain stem, threaded connection or thermowell; swivelling approx. 90 °

1) eccentric; NS 63: centric

Fill medium measuring system

Xylol or silicon oil

Accuracy class

Class 2

Rated operating ranges and conditions

EN 13190

Capillary entry

Lower or back

Case

Stainless steel

Bezel ring

Stainless steel

Connection

Stainless steel 1.4571

Capillary

Length to customer specifications (max. 10 m), Ø 2 mm, stainless steel 1.4571, bending radius not less than 6 mm

Stem

Ø 8 mm, stainless steel 1.4571

Active length of sensor

Depending on Ø d and scale range

Dial

Aluminium, white, black lettering

Pointer

Aluminium, black

Window

NS 100, 160: Instrument glass

NS 63: Transparent plastic

Temperature limits for storage and transport

-50 ... +70 °C (EN 13190) without liquid damping

-20 ... +60 °C (EN 13190) with food-compatible liquid damping

-50 ... +60 °C (EN 13190) with liquid damping

Ambient temperature limit at the case

0 ... 40 °C max. (others on request)

Pressure rating of stem

25 bar max., static

Ingress protection

IP 65 per EN 60529 / IEC 529

Options

- Scale range °F, °C/°F (dual scale)
- Laminated safety glass, clear plastic
- Ambient temperature compensation
- Accuracy class 1.0
- Thermowell per DIN or to customer specification
- Surface mounting bracket from other materials and in other lengths (A)
- Liquid filling case with
 - NS 63: Model X70.53.063
 - NS 100: Model X70.53.100
 - NS 160: Model X70.53.160
 - Filling medium: glycerine
- Spiral protecting hose stainless steel
- Designs per DIN EN ISO 13485, medical applications on request
- Model 70 with micro switch see WIKA data sheet TV 28.01
- Stem diameter 6, 10 mm

Scale ranges, measuring ranges 1)

| Scale range in °C | Measuring range in °C | Limit error ±°C | Scale division in °C |
|----------------------|--------------------------|--------------------|-------------------------|
| -60 ... +40 | -50 ... +30 | 2 | 1 |
| -40 ... +60 | -30 ... +50 | 2 | 1 |
| -30 ... +50 | -20 ... +40 | 2 | 1 |
| -20 ... +60 | -10 ... +50 | 2 | 1 |
| -20 ... +80 | -10 ... +70 | 2 | 1 |
| 0 ... 60 | 10 ... 50 | 2 | 1 |
| 0 ... 80 | 10 ... 70 | 2 | 1 |
| 0 ... 100 | 10 ... 90 | 2 | 1 |
| 0 ... 120 | 10 ... 110 | 4 | 2 |
| 0 ... 160 | 20 ... 140 | 4 | 2 |
| 0 ... 200 | 20 ... 180 | 4 | 2 |
| 0 ... 250 | 30 ... 220 | 5 | 5 |
| 0 ... 300 | 30 ... 270 | 10 | 10 |
| 0 ... 400 | 50 ... 350 | 10 | 10 |

Other scale ranges on request.

1) The measuring range is indicated on the dial by two triangular marks.
The stated limit of error per EN 13190 is only valid within this range.

Models

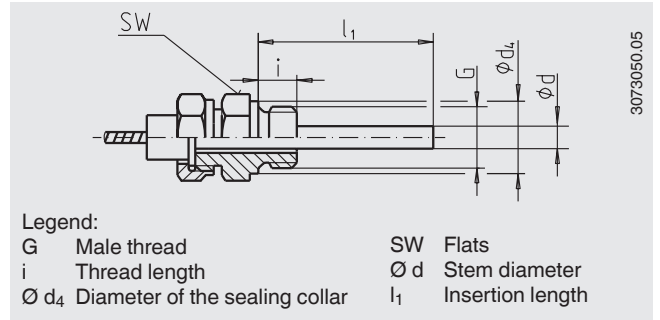
| Model | NS | Connection location | Type of mounting |
|---|-------------------|---|---|
| B70.50 (instruments without liquid filling) B70.53 (instruments with liquid filling) | 063 | Centre back mount | Triangular bezel with bracket |
| H70.50 (instruments without liquid filling) H70.53 (instruments with liquid filling) | 063 100 160 | Lower mount (radial) | Surface mounting flange |
| M70.50 (instruments without liquid filling) M70.53 (instruments with liquid filling) | 063 100 160 | Lower mount (radial) | Surface mounting bracket |
| V70.50 (instruments without liquid filling) V70.53 (instruments with liquid filling) | 063 100 160 | Centre back mount Lower back mount | Panel mounting flange |
| A70.50 (instruments without liquid filling) A70.53 (instruments with liquid filling) | 063 100 | Centre back mount, fix Lower back mount, fix | via connection (plain stem), threaded connection or thermowell |
| R70.50 (instruments without liquid filling) R70.53 (instruments with liquid filling) | 063 100 | Lower mount (radial), fix | via connection (plain stem), threaded connection or thermowell |
| S70.50 (instruments without liquid filling) S70.53 (instruments with liquid filling) | 063 100 | Centre back mount, fix Lower back mount, fix | via connection (plain stem), threaded connection or thermowell; swivelling approx. 90° ↺ |

Design 5, union nut with fitting

Union nut: G 1/2
 Process connection: G 1/2 B, G 3/4 B or 1/2 NPT, 3/4 NPT

Option:
 Union nut: M24 x 1.5
 Process connection: M18 x 1.5
 Insertion length $l_1 = 63, 100, 160, 200, 250$ mm

| Process connection | Dimensions in mm | | |
|--------------------|------------------|----|-------|
| | G | SW | d_4 |
| G 1/2 B | 27 | 26 | 14 |
| G 3/4 B | 32 | 32 | 16 |
| M18 x 1.5 | 24 | 23 | 12 |
| 1/2 NPT | 22 | - | 19 |
| 3/4 NPT | 30 | - | 20 |

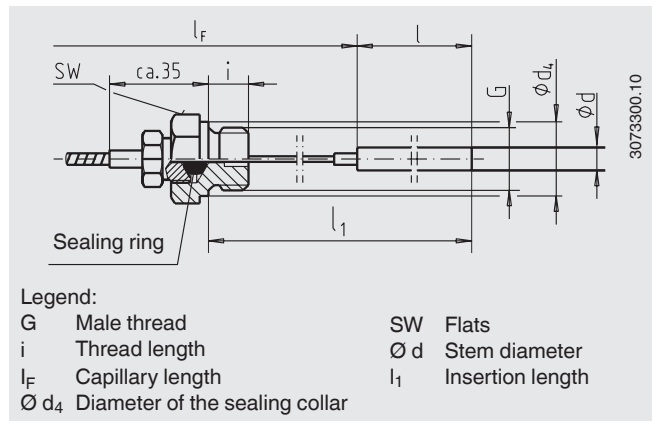


Legend:
 G Male thread
 i Thread length
 ϕd_4 Diameter of the sealing collar
 SW Flats
 ϕd Stem diameter
 l_1 Insertion length

Design 6, compression fitting (sliding on capillary)

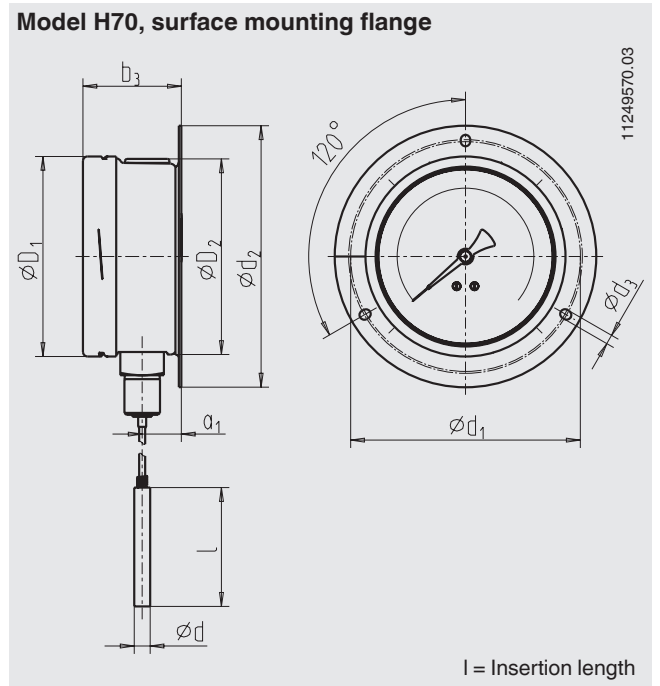
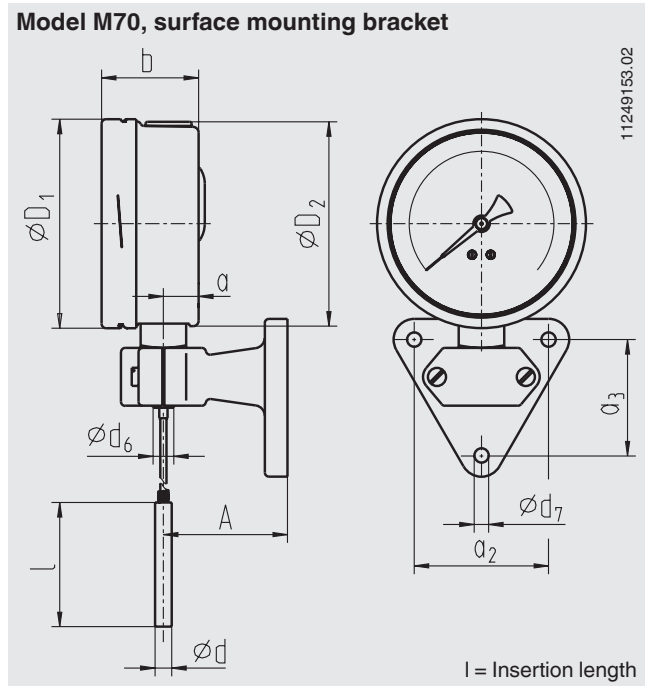
Process connection: G 1/2 B, G 3/4 B or 1/2 NPT, 3/4 NPT
 Insertion length $l = 100, 140, 200, 240, 290$ mm

| Process connection | Dimensions in mm | | |
|--------------------|------------------|----|-------|
| | G | SW | d_4 |
| G 1/2 B | 27 | 26 | 14 |
| G 3/4 B | 32 | 32 | 16 |
| 1/2 NPT | 22 | - | 19 |
| 3/4 NPT | 30 | - | 20 |



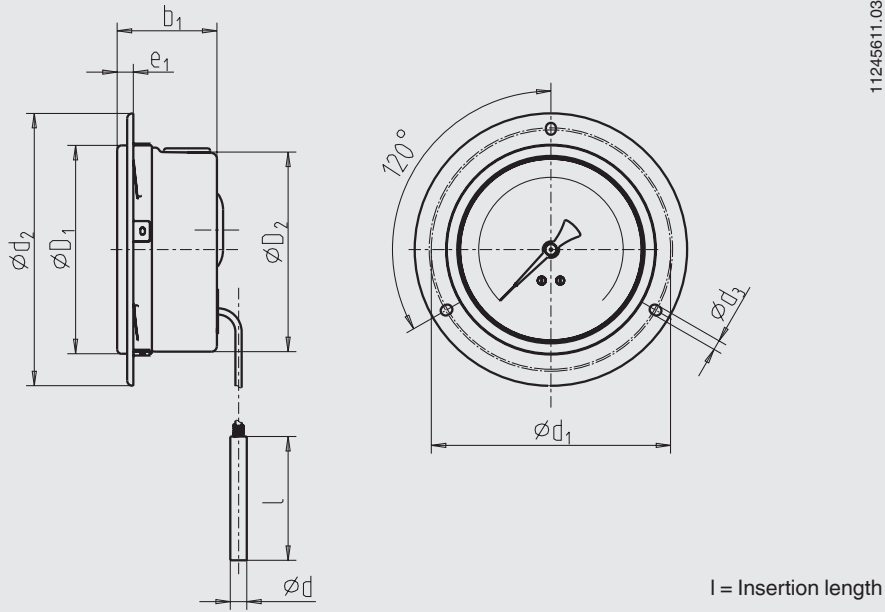
Legend:
 G Male thread
 i Thread length
 l_F Capillary length
 ϕd_4 Diameter of the sealing collar
 SW Flats
 ϕd Stem diameter
 l_1 Insertion length

Dimensions in mm



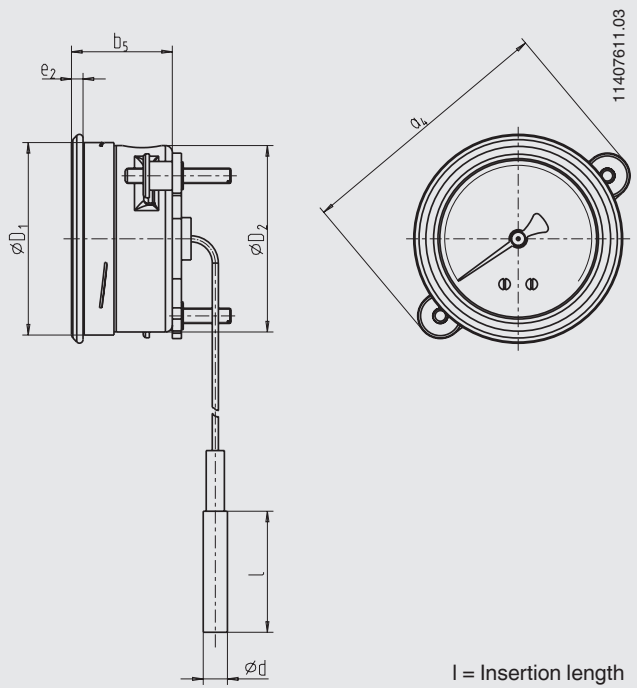
| NS | Dimensions in mm | | | | | | | | | | | | | | | Weight in kg | |
|-----|------------------|----------------|----------------|----------------|------|----------------|----------------|----------|------------|------------|------------|------------|------------|----|------------|--------------|------------|
| | a | a ₁ | a ₂ | a ₃ | b | b ₁ | b ₃ | ϕd | ϕd_1 | ϕd_2 | ϕd_3 | ϕd_6 | ϕd_7 | A | ϕD_1 | | ϕD_2 |
| 63 | 10.5 | 13 | 65 | 56 | 32.5 | 32.5 | 34.5 | 8 | 75 | 85 | 3.6 | 14 | 7 | 60 | 63.5 | 62 | 0.4 |
| 100 | 15.5 | 22 | 65 | 56 | 49.5 | 49.5 | 50.0 | 8 | 116 | 132 | 4.8 | 18 | 7 | 60 | 101.0 | 99 | 0.9 |
| 160 | 15.5 | 22 | 65 | 56 | 49.5 | - | 50.0 | 8 | 178 | 196 | 6.0 | 18 | 7 | 60 | 161.0 | 159 | 1.40 |

Model V70, panel mounting flange



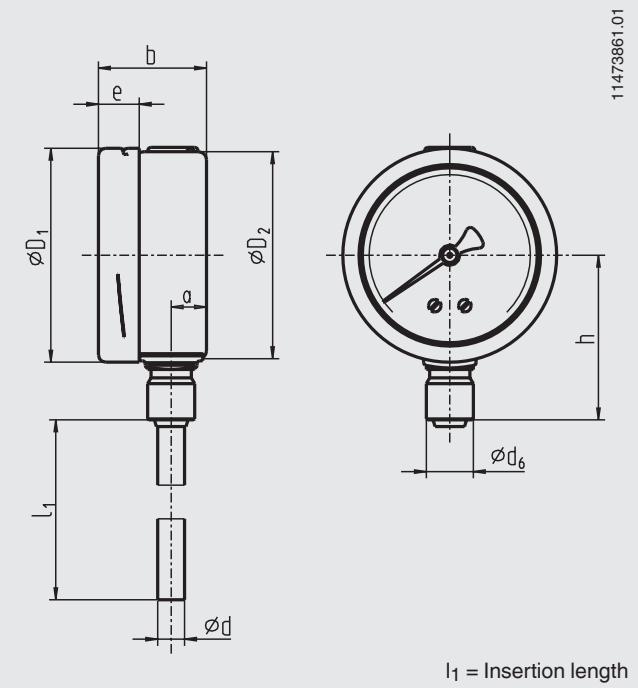
| NS | Dimensions in mm | | | | | | | | Weight in kg |
|-----|------------------|-----|------------------|------------------|------------------|----------------|------------------|------------------|--------------|
| | b ₁ | Ø d | Ø d ₁ | Ø d ₂ | Ø d ₃ | e ₁ | Ø D ₁ | Ø D ₂ | |
| 63 | 32.5 | 8 | 75 | 85 | 3.6 | 5 | 63.5 | 62 | 0.4 |
| 100 | 49.5 | 8 | 116 | 132 | 4.8 | 8 | 101.0 | 99 | 0.9 |
| 160 | - | 8 | 178 | 196 | 6.0 | 8 | 161.0 | 159 | 1.40 |

Model B70, triangular bezel with bracket



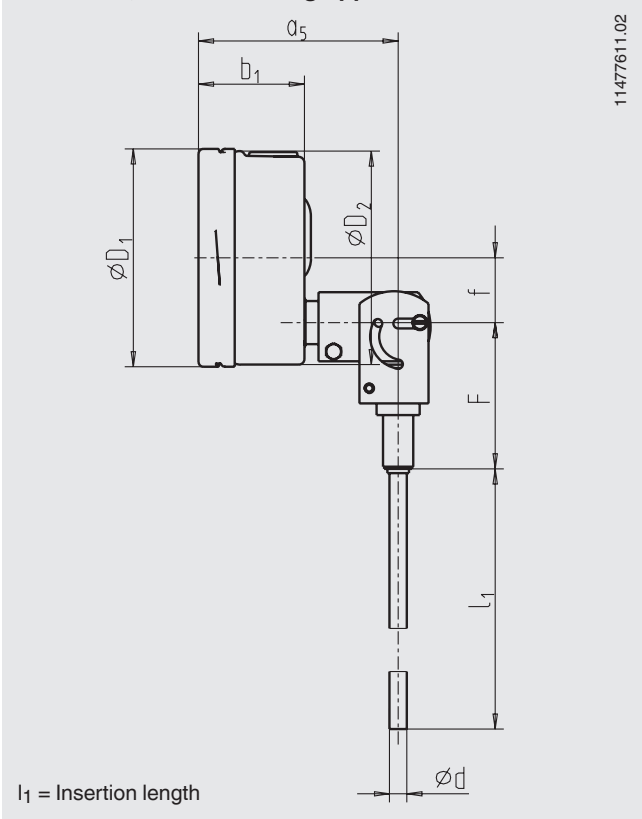
| NS | Dimensions in mm | | | | | | Weight in kg |
|----|------------------|----------------|-----|----------------|------------------|------------------|--------------|
| | a ₄ | b ₅ | Ø d | e ₂ | Ø D ₁ | Ø D ₂ | |
| 63 | 87 | 33.5 | 8 | 4 | 63.5 | 62 | 0.4 |

Model R70, lower mount



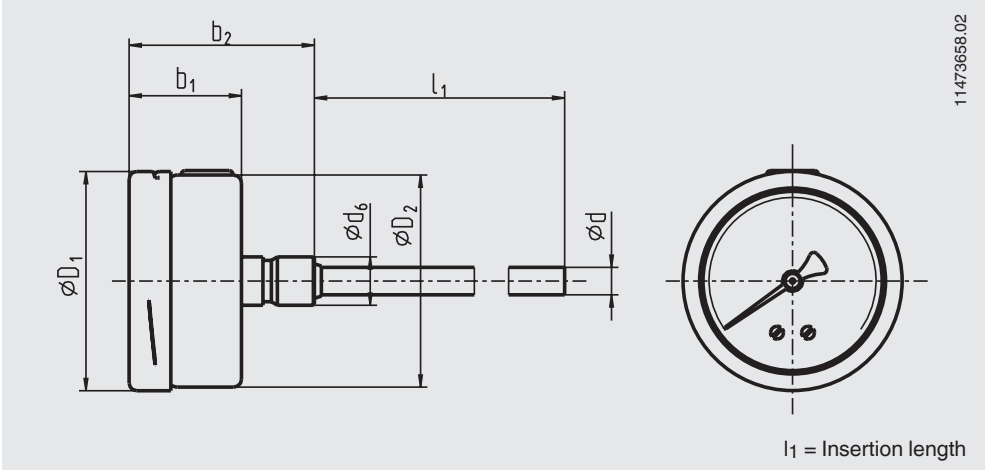
| NS | Dimensions in mm | | | | | | | | Weight in kg |
|-----|------------------|------|-----|------------------|------|------|------------------|------------------|--------------|
| | a | b | Ø d | Ø d ₆ | e | h | Ø D ₁ | Ø D ₂ | |
| 63 | 10.5 | 32.5 | 8 | 14 | 12.2 | 49.0 | 63.5 | 62 | 0.4 |
| 100 | 15.5 | 49.5 | 8 | 18 | 16.8 | 68.5 | 101.0 | 99 | 0.9 |

Model S70, case swivelling approx. 90 °



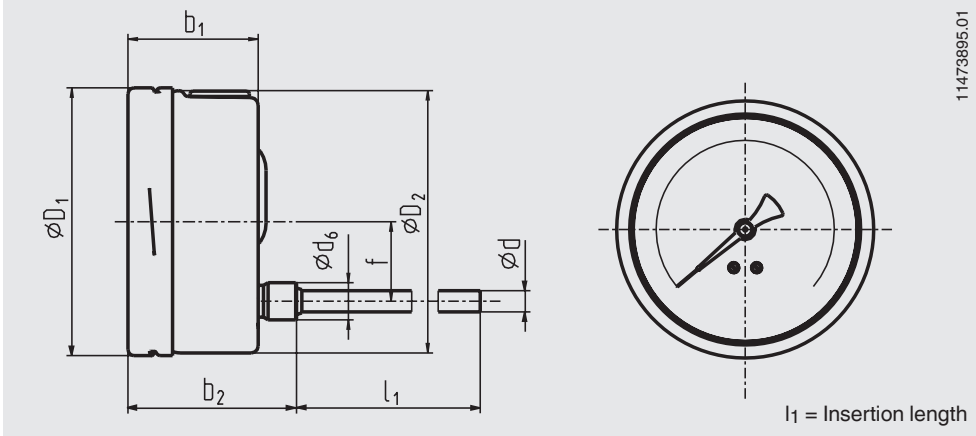
| NS | Dimensions in mm | | | | | | | Weight in kg |
|-----|------------------|-------|-----------------|-----|-------------------|-------------------|-----|--------------|
| | a_5 | b_1 | $\varnothing d$ | f | $\varnothing D_1$ | $\varnothing D_2$ | F | |
| 63 | 83 | 32.5 | 8 | 0 | 63.5 | 62 | 68 | 0.4 |
| 100 | 93 | 49.5 | 8 | 30 | 101.0 | 99 | 68 | 0.9 |

Model A70, back mount (NS 63)



| NS | Dimensions in mm | | | | | | Weight in kg |
|----|------------------|-------|-----------------|-------------------|-------------------|-------------------|--------------|
| | b_1 | b_2 | $\varnothing d$ | $\varnothing d_6$ | $\varnothing D_1$ | $\varnothing D_2$ | |
| 63 | 32.5 | 54.0 | 8 | 14 | 63.5 | 62 | 0.4 |

Model A70, back mount (NS 100)



| NS | Dimensions in mm | | | | | | | Weight in kg |
|-----|------------------|-------|-----------------|-------------------|-----|-------------------|-------------------|--------------|
| | b_1 | b_2 | $\varnothing d$ | $\varnothing d_6$ | f | $\varnothing D_1$ | $\varnothing D_2$ | |
| 100 | 49.5 | 63.5 | 8 | 18 | 30 | 101.0 | 99 | 0.9 |

Approvals

- GOST-R, import certificate, Russia
- GOST, metrology/measurement technology, Russia
- CRN, safety (e.g. electr. safety, overpressure, ...), Canada,

Approvals and certificates, see website

Ordering information

Model / Nominal size / Type of mounting / Design of connection / Scale range / Process connection / Stem diameter / Insertion length / Capillary design and length / Options

© 2009 WIKA Alexander Wiegand SE & Co. KG, all rights reserved.
 The specifications given in this document represent the state of engineering at the time of publishing.
 We reserve the right to make modifications to the specifications and materials.



WIKAI Alexander Wiegand SE & Co. KG
 Alexander-Wiegand-Straße 30
 63911 Klingenberg/Germany
 Tel. +49 9372 132-0
 Fax +49 9372 132-406
 info@wika.de
 www.wika.de

X-ON Electronics

Largest Supplier of Electrical and Electronic Components

Click to view similar products for [Environmental Test Equipment](#) category:

Click to view products by [Wika](#) manufacturer:

Other Similar products are found below :

[CW40](#) [F150C10E3DRT](#) [F150CD10E2](#) [F150L75](#) [F150LRS](#) [2837806](#) [4328074](#) [4366444](#) [S-11](#) [382153](#) [700PTP-1](#) [GEO-CABLE-REEL-50M](#)
[H115](#) [H300](#) [F150-SLC50](#) [AW-CO-1000](#) [AW-H2S-100](#) [AW-NmHc-100](#) [ES1-CO-1000-01](#) [ES4-CO-1000-01](#) [TM-414](#) [HS115](#) [SHG-02](#) [SHS-](#)
[05](#) [SHG-01](#) [RH520-220](#) [TESTO 175-H1 0572 1754](#) [TESTO 830-T1 0560 8311](#) [AX-5002](#) [AX-5003](#) [AX-B150](#) [AX-B180](#) [AX-B350](#) [AX-](#)
[L230](#) [AX-PH02](#) [12227021](#) [12228657](#) [12229067](#) [12230090](#) [7358958](#) [12226653](#) [12230146](#) [12230171](#) [12229190](#) [12228801](#) [12228665](#)
[12228819](#) [12229360](#) [12230502](#) [12229378](#)