

# Bimetal thermometer

## For air-conditioning and refrigeration systems

### Model A48

WIKA data sheet TM 48.01



for further approvals  
see page 4

#### Applications

- Air-conditioning and refrigeration systems
- Ventilation systems

#### Special features

- Accuracy class 2
- Nominal size 63, 80, 100 and 160
- Scale ranges from -30 ... +50 °C to 0 ... 120 °C



Bimetal thermometer, model A48.10.080

#### Description

The model A48 bimetal thermometer has been specifically developed for use in air-conditioning and refrigeration technology for measuring the temperature in air ducts.

Due to the flexibly adjustable flange, the thermometer can be adapted to all standard wall thicknesses of pipe insulations.

# Specifications

## Measuring element

Bimetal coil

## Nominal size in mm

63, 80, 100 and 160

## Models

Model	NS	Connection location
A48.10.063	63	Back mount (BM), centre
A48.10.080	80	
A48.10.100	100	
A48.10.160	160	

## Scale ranges

Scale range in °C	Scale spacing in °C
-30 ... +50	1
-20 ... +60	1
-10 ... +50	1
0 ... 60	1
0 ... 80	1
0 ... 120	2

other scale ranges on request

## Connection

Flange, steel zinc plated, adjustable on stem

- Standard: flange diameter  $d_2 = 61$  mm
- Option: flange diameter  $d_2 = 50$  mm

## Stem

Insertion length  $l = 160, 200$  and  $300$  mm

Ø 9 mm copper alloy

Minimum immersion depth  $l_{\min} = \text{approx. } 60$  mm

other insertion lengths on request

## Accuracy class

Class 2 per EN 13190

## Case

Aluminium

## Dial

Aluminium, white, black lettering

## Pointer

Aluminium, black

## Window

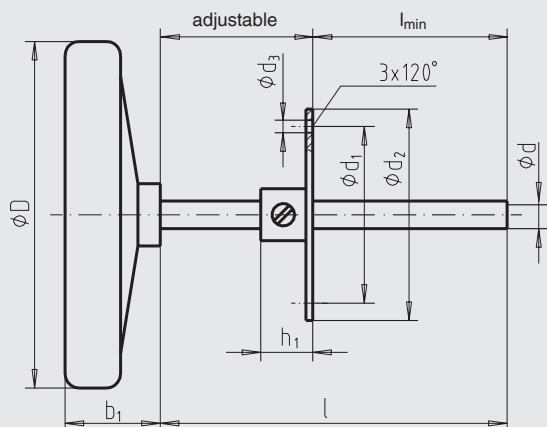
Acrylic plastic

## Zero adjustment

At bottom of stem

## Dimensions in mm





Back mount (BM)



Legend:  
Minimum immersion depth  $l_{min} = 60$  mm

NS	Dimensions in mm								Weight in kg
	Ø D	b <sub>1</sub>	Ø d	Ø d <sub>1</sub>	Ø d <sub>2</sub>	Ø d <sub>3</sub>	h <sub>1</sub>	l	
63	63	20	9	51	61	3.6	13	160, 200, 300	0.16
80	80	22	9	51	61	3.6	13	160, 200, 300	0.18
100	100	27	9	51	61	3.6	13	160, 200, 300	0.21
160	160	29	9	51	61	3.6	13	160, 200, 300	0.36

## Approvals

Logo	Description	Country
	<b>GOST (option)</b> Metrology/measurement technology	Russia
	<b>KazInMetr (option)</b> Metrology/measurement technology	Kazakhstan
-	<b>MTSCHS (option)</b> Permission for commissioning	Kazakhstan
	<b>UkrSEPRO (option)</b> Metrology/measurement technology	Ukraine
	<b>Uzstandard (option)</b> Metrology/measurement technology	Uzbekistan
-	<b>CRN (option)</b> Safety (e.g. electr. safety, overpressure, ...)	Canada

## Certificates (option)

- 2.2 test report

Approvals and certificates, see website

## Ordering information

Model / Nominal size / Scale range / Connection / Insertion length l / Options

© 07/2008 WIKA Alexander Wiegand SE & Co. KG, all rights reserved.  
The specifications given in this document represent the state of engineering at the time of publishing.  
We reserve the right to make modifications to the specifications and materials.



## X-ON Electronics

Largest Supplier of Electrical and Electronic Components

*Click to view similar products for [Environmental Test Equipment](#) category:*

*Click to view products by [Wika](#) manufacturer:*

Other Similar products are found below :

[CW40](#) [F150C10E3DRT](#) [F150LTC20](#) [F150CD10E2](#) [F150L75](#) [F150LRS](#) [2837806](#) [4328074](#) [4366444](#) [S-11](#) [382153](#) [700PTP-1](#) [GEO-](#)  
[CABLE-REEL-50M](#) [H115](#) [H300](#) [F150-SLC50](#) [TM-192](#) [TM-192D](#) [TM-414](#) [HS115](#) [SHG-02](#) [SHS-05](#) [SHG-01](#) [RH520-220](#) [TESTO 175-H1](#)  
[0572 1754](#) [TESTO 830-T1](#) [0560 8311](#) [AX-5002](#) [AX-5003](#) [AX-B150](#) [AX-B180](#) [AX-B350](#) [AX-L230](#) [AX-PH02](#) [12227021](#) [12228657](#)  
[12229067](#) [12230090](#) [7358958](#) [12226653](#) [12230146](#) [12230171](#) [12229190](#) [12228801](#) [12228665](#) [12228819](#) [12229360](#) [12230502](#) [12229378](#)  
[12229394](#) [12229415](#)