



## 1-Line Bidirectional ESD Protection Diode

### General description

The ESD3Z3.3C is designed to protect voltage sensitive components from ESD and transient voltage events. Excellent clamping capability, low leakage, and fast response time, make these parts ideal for ESD protection on designs where board space is at a premium.

### Features and benefits

- Bidirectional ESD protection of one line
- Reverse stand-off voltage: 3.3V Max
- Low leakage current: nA Level
- Response time is typically < 1 ns
- Low clamping voltage:  $V_C < 9.0\text{ V @ } I_{PP} = 11\text{ A}$
- ESD Protection: 30kV(air)/ 30kV(contact) ( IEC61000-4-2)
- RoHS compliant


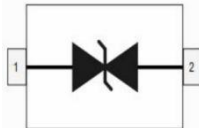
### Application information

- Cell Phone Handsets and Accessories
- Microprocessor based equipment
- Personal Digital Assistants (PDA's)
- Notebooks, Desktops, and Servers

### Ordering information

Par Number	Package	Packaging	Reel Size
ESD3Z3.3C	SOD323	3000/Tape & Reel	7 inch

### Schematic & Pin configuration

Simplified outline	Graphic symbol
	

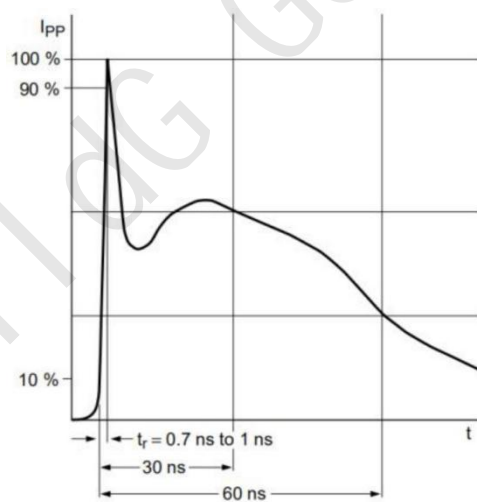
**Maximum Ratings** ( $T_{OP} = 25 \text{ } ^\circ\text{C}$ , unless otherwise specified)

Parameter	Symbol	Value	Unit
Peak Pulse Power ( $t_p = 8/20 \mu\text{s}$ )	$P_{PPM}$	100	W
Peak Pulse Current( $t_p = 8/20 \mu\text{s}$ )	$I_{PPM}$	11	A
ESD voltage IEC 61000-4-2 (air discharge)	$V_{ESD}$	30	kV
ESD voltage IEC 61000-4-2 (contact discharge)	$V_{ESD}$	30	kV
Maximum lead temperature for soldering during 10s	$T_L$	260	$^\circ\text{C}$
Storage Temperature Range	$T_{stg}$	-55 to +150	$^\circ\text{C}$
Operating Temperature Range	$T_{OP}$	-40 to +125	$^\circ\text{C}$

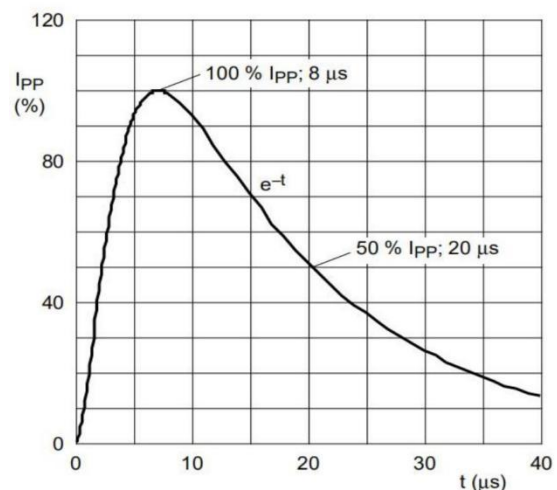
**Electrical Characteristics** ( $T_{OP} = 25 \text{ } ^\circ\text{C}$ , unless otherwise specified)

Parameter	Symbol	Min	Typ	Max	Unit	Condition
Reverse Working Voltage	$V_{RWM}$	--	--	3.3	V	
Breakdown Voltage	$V_{BR}$	3.6	--	5.0	V	$I_r=1\text{mA}$
Leakage Current $I_{Leak}$	$I_r$	--	--	100	nA	$V_{RWM}=3.3\text{V}$
Clamping Voltage	$V_C$	--	4.5	5.0	V	$I_{pp}=2\text{A}, T_p=8/20\mu\text{s}$
		--	7.5	9.0		$I_{pp}=11\text{A}, T_p=8/20\mu\text{s}$
Junction Capacitance	$C_J$	--	18	23	pF	$V_R=0\text{V}, f=1\text{MHz}$

**Typical Electrical and Thermal Characteristics (Curves)**



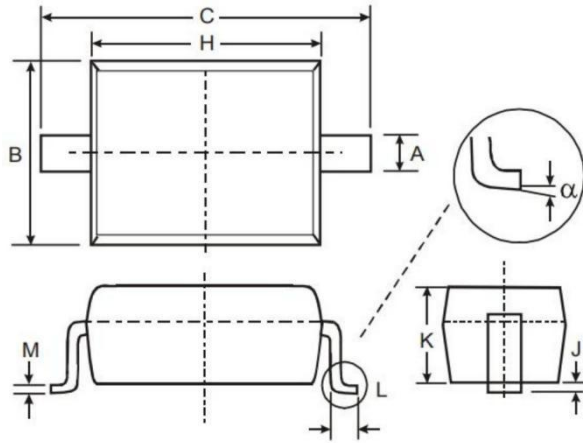
IEC61000-4-2 Waveform



IEC 61000-4-5 Waveform( 8/20µs pulse)

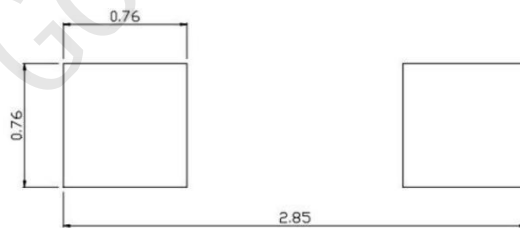
### Package Outline Dimensions

SOD323



SYMBOL	MILLIMETERS	
	MIN	MAX
A	0.25	0.35
B	1.20	1.40
C	2.40	2.70
H	1.60	1.80
J	0.01	0.15
K	0.80	1.00
L	0.20	0.40
M	0.08	0.15
“	0°	8°

### Soldering Footprint (mm)



## X-ON Electronics

Largest Supplier of Electrical and Electronic Components

*Click to view similar products for [ESD Suppressors / TVS Diodes](#) category:*

*Click to view products by [Wild Goose](#) manufacturer:*

Other Similar products are found below :

[60KS200C](#) [D18V0L1B2LP-7B](#) [D5V0F4U5P5-7](#) [NTE4902](#) [P4KE27CA](#) [P6KE11CA](#) [P6KE8.2A](#) [SA60CA](#) [SA64CA](#) [SMBJ12CATR](#)  
[SMBJ33CATR](#) [SMBJ6.5A](#) [SMBJ8.0A](#) [ESD101-B1-02ELS E6327](#) [ESD112-B1-02EL E6327](#) [ESD7451N2T5G](#) [19180-510](#) [CPDT-5V0USP-](#)  
[HF](#) [3.0SMCJ33CA-F](#) [3.0SMCJ36A-F](#) [HSPC16701B02TP](#) [JANTX1N6126A](#) [D3V3Q1B2DLP3-7](#) [D55V0M1B2WS-7](#) [SCM1293A-04SO](#)  
[ESD200-B1-CSP0201 E6327](#) [SM12-7](#) [CEN955 W/DATA](#) [VESD12A1A-HD1-GS08](#) [CPDQC5V0-HF](#) [D1213A-01LP4-7B](#) [ESD101-B1-02EL](#)  
[E6327](#) [AOZ8808DI-03](#) [5KP15A](#) [5KP48A](#) [5KP90A](#) [ESD3V3D7-TP](#) [15KPA36A-LF](#) [P4KE56CA](#) [P4KE68A](#) [P4KE91CATR](#) [P6KE120A](#)  
[P6KE13CA](#) [P6KE43CA](#) [P6KE6.8CA](#) [P6KE8.2](#) [P6SMBJ20CA](#) [JANTX1N6072A](#) [SR2835ESKG](#) [SA90CA](#)