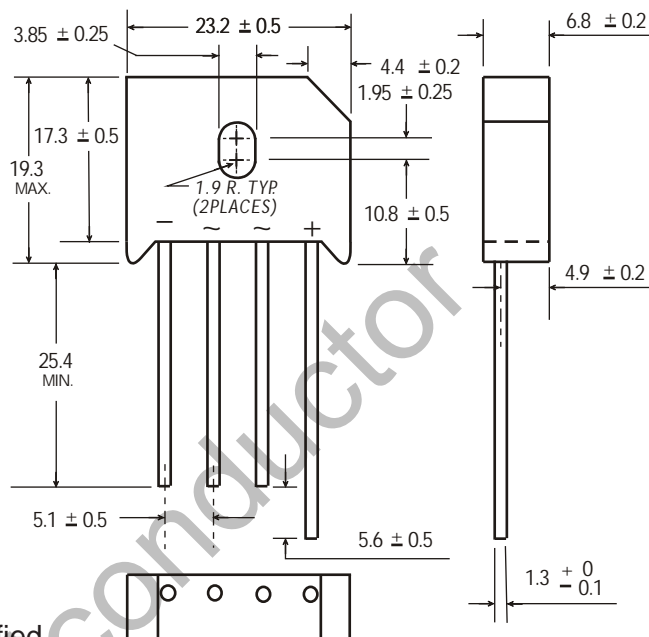


## Features

- Plastic package has Underwriters Laboratory Flammability Classification 94V-0
- High surge current capability
- Ideal for printed circuit boards



Dimensions in millimeters(1mm =0.0394")

## MAXIMUM RATINGS AND ELECTRICAL CHARACTERISTICS

Rating at 25°C ambient temperature unless otherwise specified.

Single phase, half wave, 60Hz, resistive or inductive load.

For capacitive load, derate current by 20%.

Type Number	SYMBOL	KBU801	KBU802	KBU803	KBU804	KBU806	KBU808	KBU810	UNIT
Maximum Recurrent Peak Reverse Voltage	V <sub>RRM</sub>	50	100	200	400	600	800	1000	V
Maximum RMS Voltage	V <sub>RMS</sub>	35	70	140	280	420	560	700	V
Maximum DC Blocking Voltage	V <sub>DC</sub>	50	100	200	400	600	800	1000	V
Maximum Average Forward Rectified Current T <sub>A</sub> =50°C	I <sub>(AV)</sub>	8.0							A
Peak Forward Surge Current, 8.3ms single Half sine-wave superimposed on rated load (JEDEC method)	I <sub>FSM</sub>	300							A
Maximum Instantaneous Forward Voltage @ 8.0 A	V <sub>F</sub>	1.1							V
Maximum DC Reverse Current @ T <sub>J</sub> =25°C At Rated DC Blocking Voltage @ T <sub>J</sub> =125°C	I <sub>R</sub>	10.0 0.5							uA mA
Rating for fusing (t < 8.3ms)	I <sup>2</sup> t	300							A <sup>2</sup> S
Typical junction Capacitance (Note 1)	C <sub>J</sub>	25							pF
Typical Thermal Resistance per leg	R <sub>θJA</sub>	19							°C/W
Typical Thermal Resistance (Note 2)	R <sub>θL</sub>	2.4							
Operating Junction and Storage Temperature Range	T <sub>J</sub> , T <sub>STG</sub>	-55 to + 150							°C

NOTES : (1) Measured at 1.0 MHz and applied reverse voltage of 4.0 Volts DC.

(2) Thermal Resistance from junction to ambient mounted on P.C.B with 0.5 x 0.5"(13x13mm) copper pads.

# KBU801-KBU810

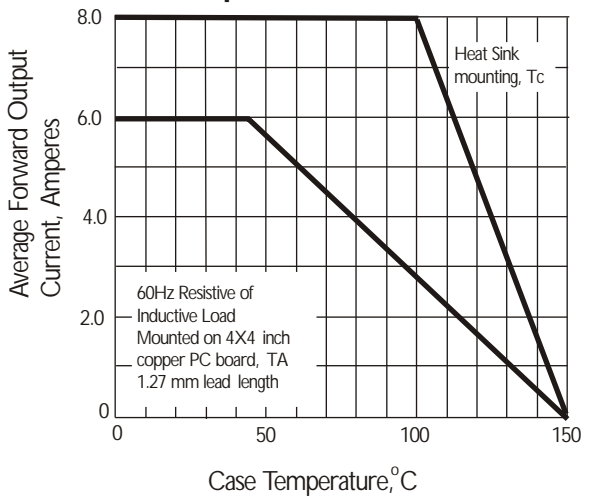
Single Phase Silicon Bridge

VOLTAGE RANGE: 50 --- 1000V

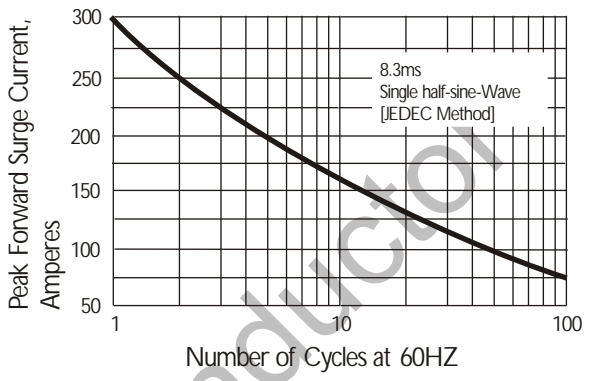
CURRENT: 8.0A

## Ratings AND Characteristic Curves

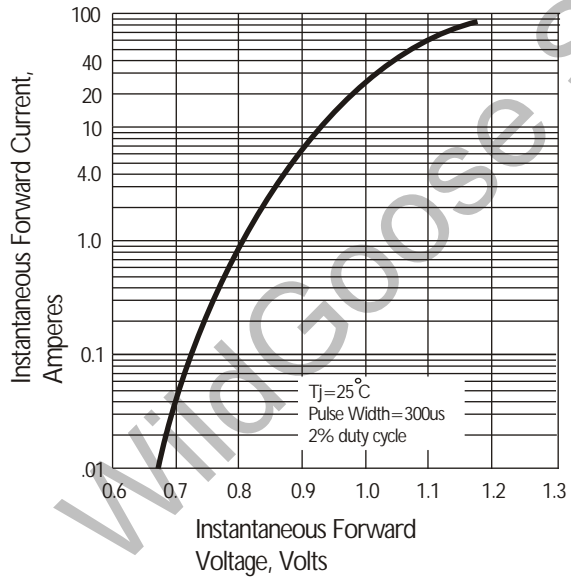
**Fig. 1 Derating Curve for Output Rectified Current**



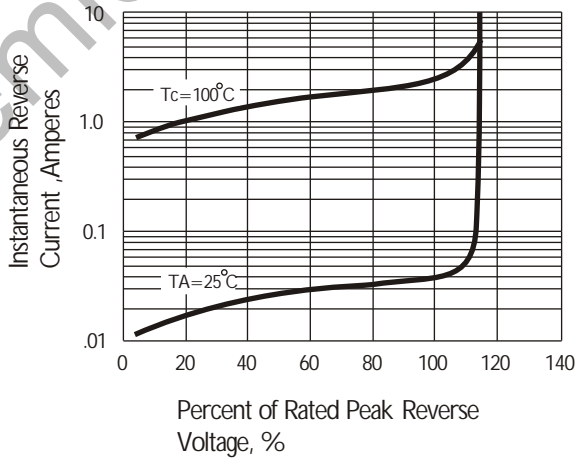
**Fig. 2 Maximum Non-repetitive Peak Forward Surge Current**



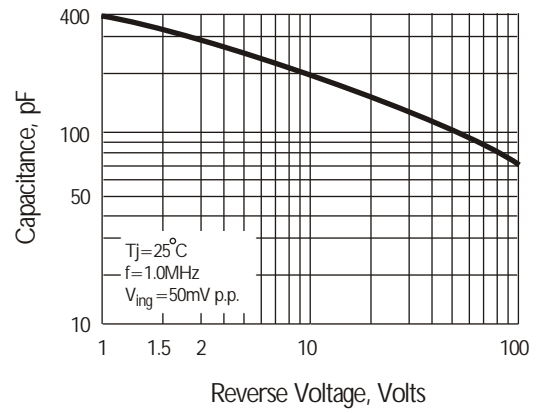
**Fig. 3 Typical Instantaneous Forward Characteristics**



**Fig. 4 Typical Reverse Characteristics**



**Fig. 5 Typical Junction Capacitance**



## X-ON Electronics

Largest Supplier of Electrical and Electronic Components

*Click to view similar products for [Bridge Rectifiers](#) category:*

*Click to view products by [Wild Goose](#) manufacturer:*

Other Similar products are found below :

[MB252](#) [MB356G](#) [MB358G](#) [GBJ1504-BP](#) [GBU10B-BP](#) [GBU15K-BP](#) [GBU4A-BP](#) [GBU4D-BP](#) [DB101-BP](#) [DF01](#) [DF10SA-E345](#) [KBPC50-10S](#) [RS405GL-BP](#) [GBJ1502-BP](#) [GBU6M](#) [TB102M](#) [MB1510](#) [MB86](#) [TL401G](#) [MDA920A2](#) [TU602](#) [TU810](#) [MP5010W-BP](#) [MP501W-BP](#) [MP502-BP](#) [KBPC25-02](#) [VBO160-12NO7](#) [VS-110MT120KPBF](#) [VS-60MT80KPBF](#) [DB105-BP](#) [DF1510S](#) [VS-40MT160PAPBF](#) [GBU4G-BP](#) [GSIB15A80-E3/45](#) [DB104-BP](#) [D3SB60](#) [TB354](#) [GBJ2504-BP](#) [26MB100A](#) [B1S-G](#) [VS-40MT160KPBF](#) [VUO162-16NO7](#) [ABS10-G](#) [GBU6B-BP](#) [GBJ1508-BP](#) [BR5010-G](#) [ABS6-G](#) [B125C800G-E4/51](#) [MSB15MH-13](#) [LBS10-13](#)