

MBRD1040CT-MBRD10200CT
10A SCHOTTKY BARRIER RECTIFIER



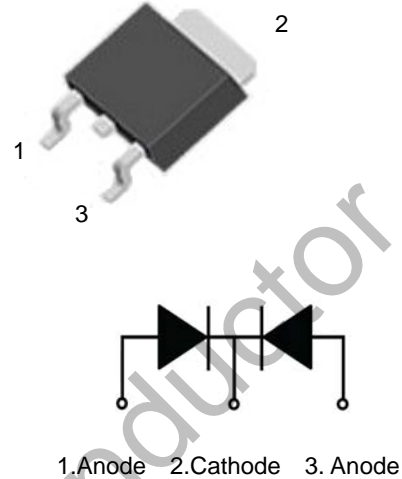
MBRD1040CT-MBRD10200CT

Features:

- Low power loss,high efficiency.
High surge capacity
- For use in low voltage,high frequency inverters,
free wheeling,and polarity protection applications.
- Metal silicon junction,majority carrier conduction.
- High current Capability,low forward voltage drop.
- Guard ring for over voltage protection.



TO-252



Absolute Maximum Ratings (Ta=25°C unless otherwise noted)

| Parameter | Symbol | MBRD 1040 CT | MBRD 1045 CT | MBRD 1050 CT | MBRD 1060 CT | MBRD 1080 CT | MBRD 1090 CT | MBRD 10100 CT | MBRD 10150 CT | MBRD 10200 CT | Unit |
|--|-----------------------|--------------|--------------|--------------|--------------|--------------|--------------|---------------|---------------|---------------|------|
| Maximum Recurrent Peak Reverse Voltage | V _{RRM} | 40 | 45 | 50 | 60 | 80 | 90 | 100 | 150 | 200 | V |
| Maximum RMS Voltage | V _{RMS} | 28 | 31.5 | 35 | 42 | 56 | 63 | 70 | 105 | 140 | |
| Maximum DC Blocking Voltage | V _{R(DC)} | 40 | 45 | 50 | 60 | 80 | 90 | 100 | 150 | 200 | |
| Maximum Average Forward Current | I _{F(AV)} | 10 | | | | | | | | | A |
| Peak Forward Surge Current:8.3ms single half sine-wave superimposed on rated load (JEDEC method) | I _{FSM} | 150 | | | | | | | | | |
| Maximum Forward Voltage at 5A per leg | V _F | 0.65 | | 0.72 | | 0.85 | | 0.92 | | V | |
| Maximum DC Reverse Current at Rated DC Blocking Voltage | T _j =25°C | 0.1 | | | | | | | | | mA |
| | T _j =125°C | 20 | | | | | | | | | |
| Maximum Operating Junction Temperature | T _j | 150 | | | | 175 | | | | | °C |
| Storage Temperature | T _{stg} | -55~+150 | | | | -65~+175 | | | | | |
| Typical Thermal Resistance | R _{θJC} | 1.4 | | | | | | | | | °C/W |

Typical Characteristics

RATING AND CHARACTERISTIC CURVES

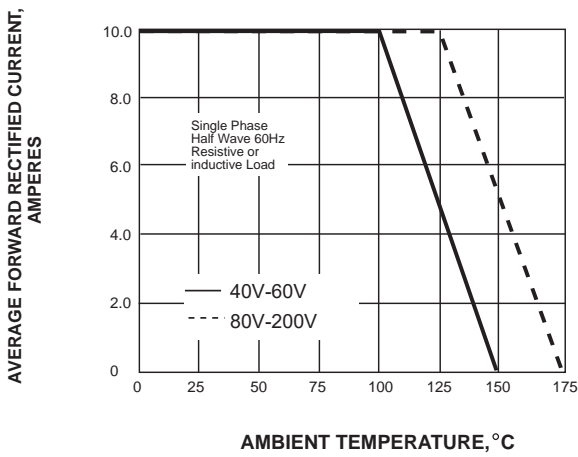


Fig.1 FORWARD CURRENT ERATING CURVE

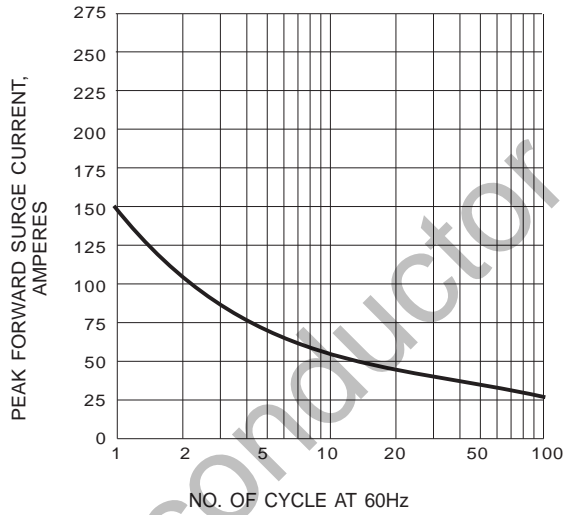


Fig.2 MAXIMUM NON-REPETITIVE SURGE CURRENT

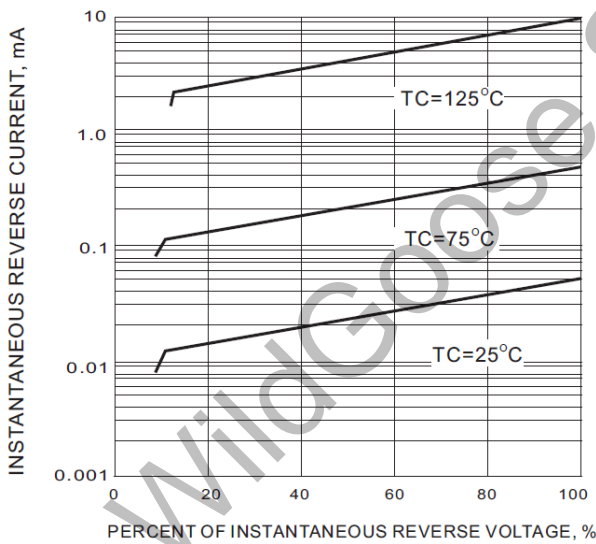


Fig.3 TYPICAL REVERSE CHARACTERISTIC

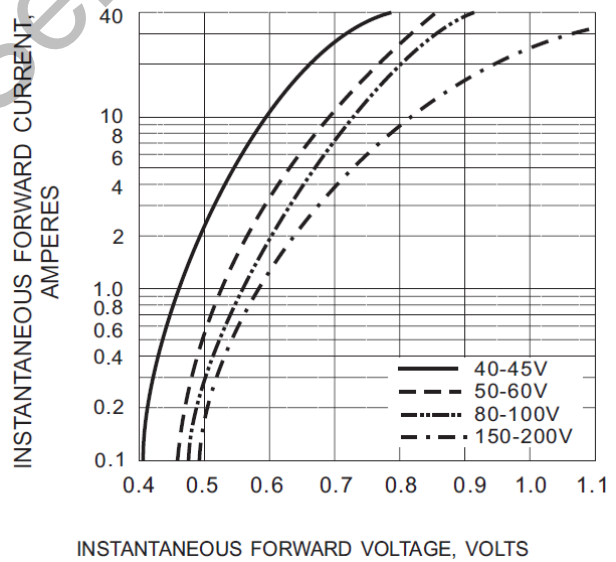
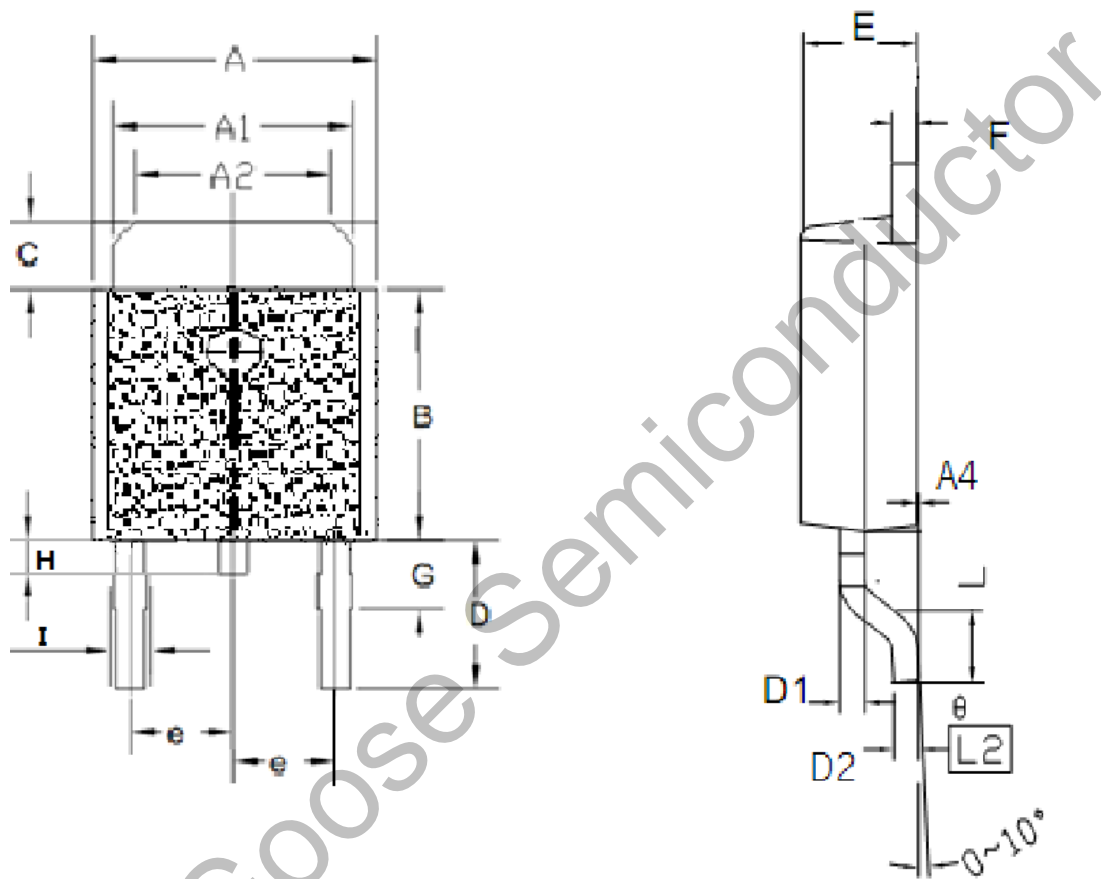


Fig.4 TYPICAL INSTANTANEOUS FORWARD CHARACTERISTIC

Package Dimension

TO-252



UNIT: mm

| Symbol | Min | Max | Symbol | Min | Max |
|--------|------|------|--------|------|-------|
| A | 6.40 | 6.60 | D | 2.90 | 3.10 |
| A1 | 5.20 | 5.40 | D1 | 0.45 | 0.55 |
| A2 | 4.40 | 4.60 | D2 | 0.45 | 0.55 |
| A3 | 4.40 | 4.60 | e | 2.30 | |
| A4 | 0.00 | 0.15 | E | 2.20 | 2.40 |
| A5 | 4.65 | 4.95 | F | 0.49 | 0.59 |
| B | 6.00 | 6.20 | G | 1.70 | |
| B1 | 1.57 | 1.77 | L | 1.40 | 1.60 |
| C | 0.90 | 0.96 | θ (度) | 0.00 | 10.00 |
| I | 0.60 | 0.90 | H | 0.49 | 0.52 |

X-ON Electronics

Largest Supplier of Electrical and Electronic Components

Click to view similar products for [Schottky Diodes & Rectifiers](#) category:

Click to view products by [Wild Goose](#) manufacturer:

Other Similar products are found below :

[MA4E2039](#) [MMBD301M3T5G](#) [RB160M-50TR](#) [D83C](#) [BAS16E6433HTMA1](#) [BAS 3010S-02LRH E6327](#) [BAT 54-02LRH E6327](#)
[NRVBAF360T3G](#) [NSR05F40QNXT5G](#) [NTE555](#) [JANS1N6640](#) [SS3003CH-TL-E](#) [GA01SHT18](#) [CRS10I30A\(TE85L,QM](#) [MBRA140TRPBF](#)
[MBRB30H30CT-1G](#) [BAT 15-04R E6152](#) [JANTX1N5712-1](#) [DMJ3940-000](#) [SB007-03C-TB-E](#) [NRVBB20100CTT4G](#) [NRVBM120LT1G](#)
[NTSB30U100CT-1G](#) [CRG04\(T5L,TEMQ\)](#) [ACDBA1100LR-HF](#) [ACDBA1200-HF](#) [ACDBA240-HF](#) [ACDBA3100-HF](#) [CDBQC0530L-HF](#)
[ACDBA260LR-HF](#) [ACDBA1100-HF](#) [10BQ015-M3/5BT](#) [NRVBM120ET1G](#) [VSSB410S-M3/5BT](#) [1N5819T-G](#) [PDS1040Q-13](#) [B160BQ-13-F](#)
[SDM05U20CSP-7](#) [BAS 70-07 E6433](#) [B140S1F-7](#) [HSM560Je3/TR13](#) [DDB2265-000](#) [ZHCS506QTA](#) [HSM190Je3/TR13](#) [B330AF-13](#)
[ACDBUC0230-HF](#) [SDM1U100S1F-7](#) [MBR10200CTF-G1](#) [CDLL5712](#) [DMF2822-000](#)