



## MURF2005CTR-MURF2060CTR

## Features:

- High surge capacity
- Low Forward Voltage Drop.
- High Current Capability.
- Super Fast Switching Speed For High Efficiency



TO-220F



1.Cathode 2.Anode 3. Cathode

## Absolute Maximum Ratings (Ta=25°C unless otherwise noted)

Parameter	Symbol	MURF 2005CTR	MURF 2010CTR	MURF 2015CTR	MURF 2020CTR	MURF 2030CTR	MURF 2040CTR	MURF 2060CTR	Unit
Maximum recurrent peak reverse voltage	$V_{RRM}$	50	100	150	200	300	400	600	V
Maximum RMS Voltage	$V_{RMS}$	35	70	105	140	210	280	420	V
Maximum DC Blocking Voltage	$V_{R(DC)}$	50	100	150	200	300	400	600	V
Average Rectified Forward Current Total Device, (Rated $V_R$ ),	$I_{F(AV)}$	20							A
Nonrepetitive Peak Surge Current(Surge applied at rated load conditions half wave, single phase, 60 Hz)	$I_{FSM}$	200							A
Operating Junction Temperature and Storage Temperature	$T_J, T_{stg}$	-55 to +150							°C
Maximum Thermal Resistance, Junction-to-Case	$R_{\theta JC}$	3.0				2.0			°C/W

## ELECTRICAL CHARACTERISTICS(per Leg)

Parameter	Symbol	MURF 2005CTR	MURF 2010CTR	MURF 2015CTR	MURF 2020CTR	MURF 2030CTR	MURF 2040CTR	MURF 2060CTR	Unit
Forward Voltage ( $I_F = 10A, T_C = 25^\circ C$ ) (Note 1) ( $I_F = 10A, T_C = 125^\circ C$ )	$V_F$	0.975 0.895			1.30 1.10		1.70 1.50		V
Maximum Instantaneous Reverse Current (Note 1) (Rated DC Voltage, $T_C = 25^\circ C$ ) (Rated DC Voltage, $T_C = 125^\circ C$ )	$I_R$	5 250			10 500			$\mu A$	
Maximum Reverse Recovery Time ( $I_F = 0.5A, I_R = 1.0A, I_{REC} = 0.25A$ )	$T_{RR}$	35							ns

Note 1.Pulse Test: Pulse Width = 300  $\mu$ s, Duty Cycle  $\leq 2.0\%$

Typical Characteristics

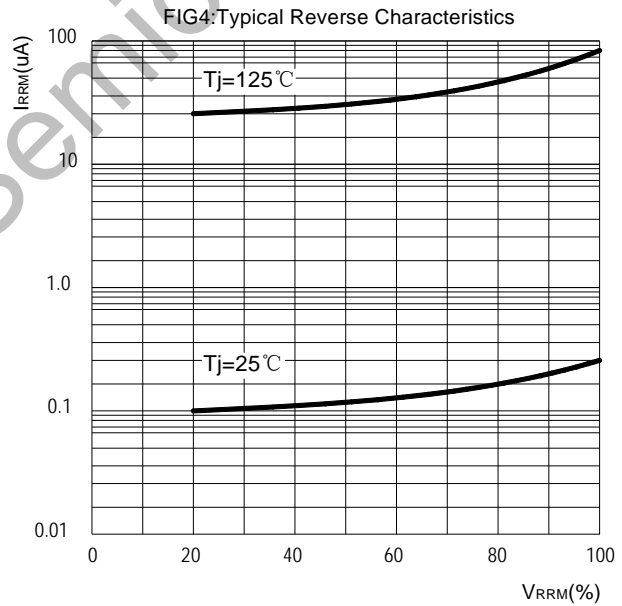
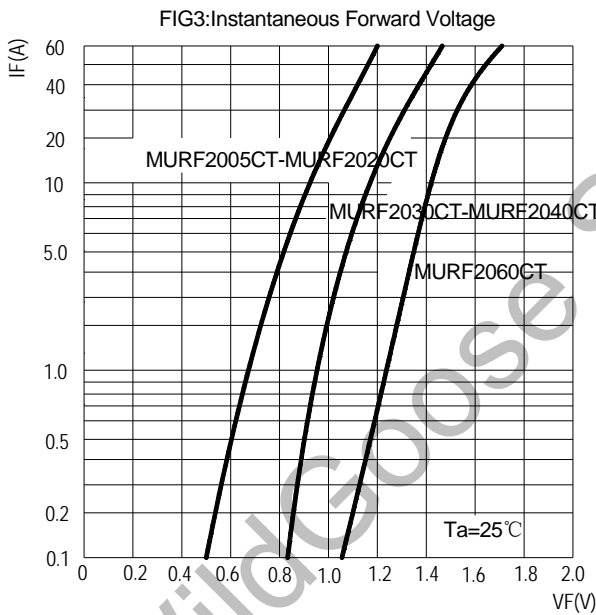
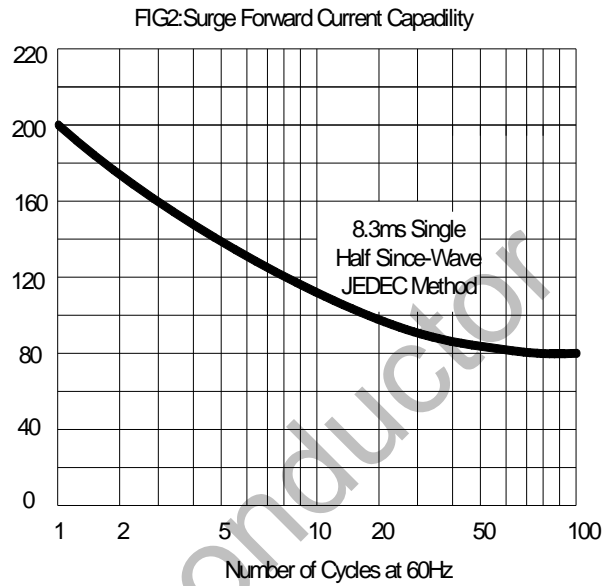
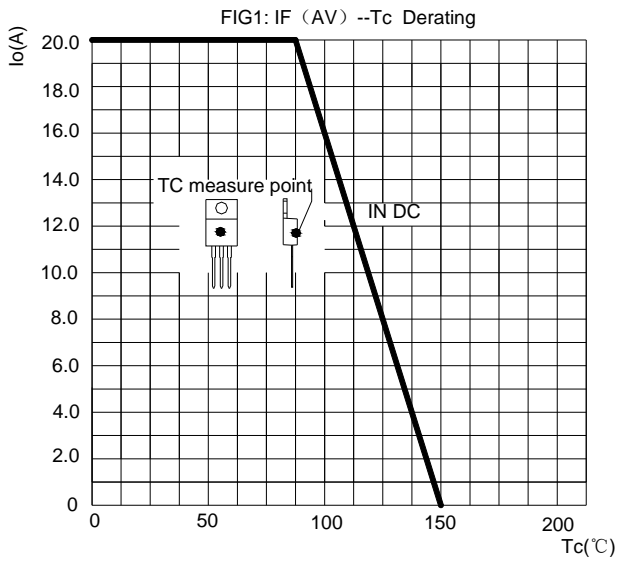
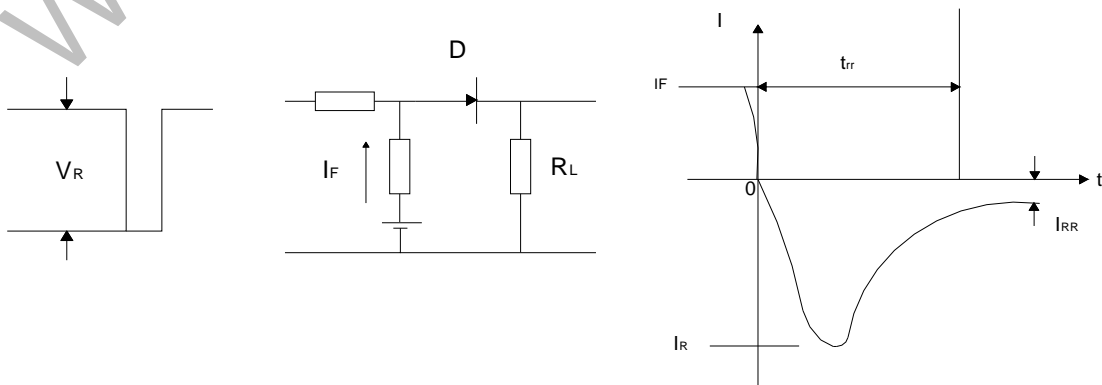
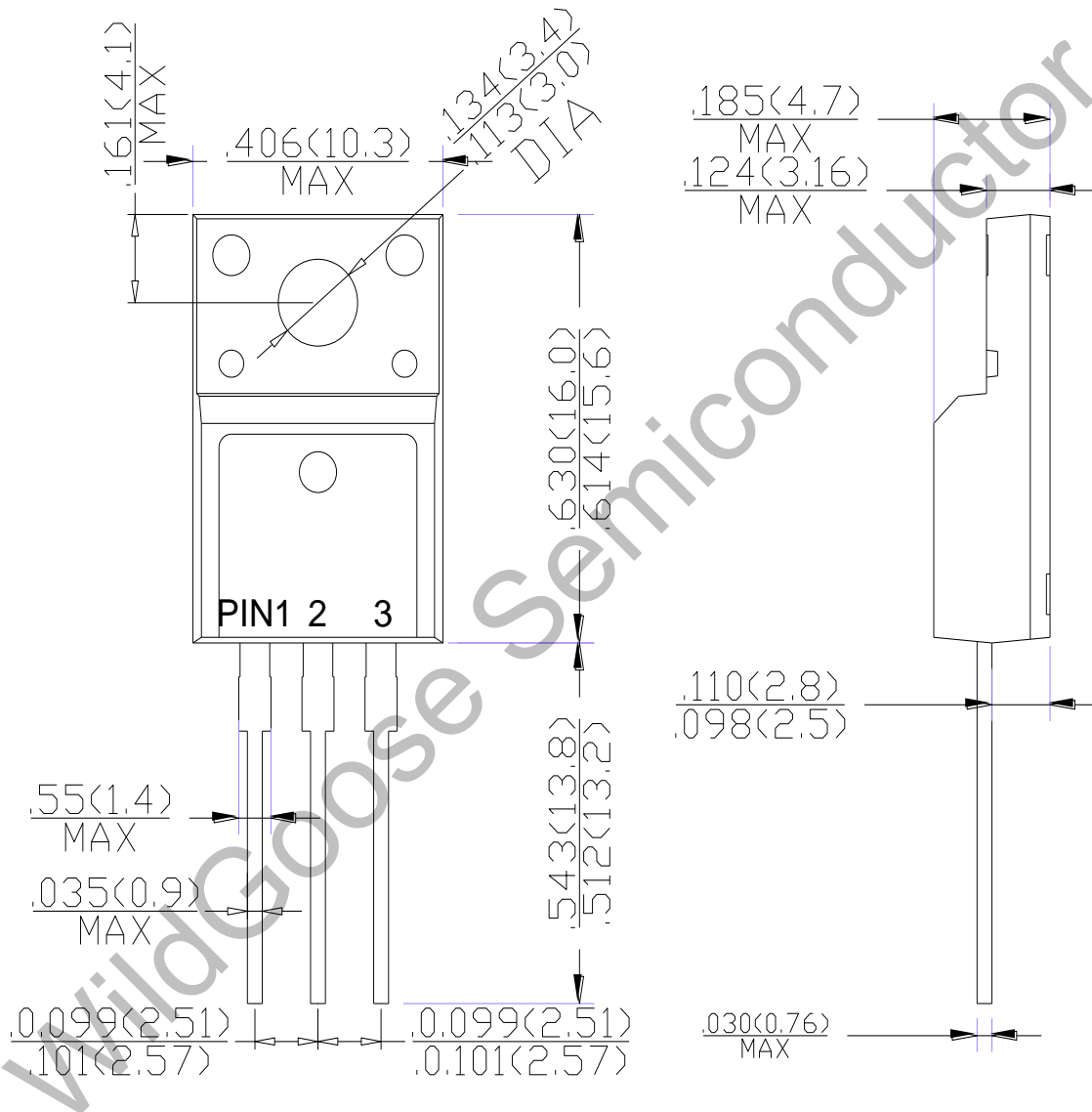


FIG.5: Diagram of circuit and Testing wave form of reverse recovery time



**Package Dimension**

**TO-220F**



Dimensions in inches and (millimeters)

## X-ON Electronics

Largest Supplier of Electrical and Electronic Components

*Click to view similar products for [Rectifiers](#) category:*

*Click to view products by [Wild Goose](#) manufacturer:*

Other Similar products are found below :

[70HFR40](#) [FR105 R0](#) [RL252-TP](#) [1N5397](#) [1N4005-TR](#) [1N4007-BP](#) [UFS120Je3/TR13](#) [20ETS12S](#) [RRE02VS6SGTR](#) [MS306](#) [A1N5404G-G](#)  
[CRF02\(T5L,TEMQ\)](#) [ACGRB207-HF](#) [CLH07\(TE16L,Q\)](#) [CLH03\(TE16L,Q\)](#) [1N5395-TP](#) [UES1302](#) [ACGRC307-HF](#) [ACEFC304-HF](#) [DZ-](#)  
[1380](#) [85HFR60](#) [40HFR60](#) [70HF120](#) [85HFR80](#) [SCF7500](#) [SM100](#) [ACGRA4001-HF](#) [SKN70/08](#) [NTE5819](#) [NTE5827](#) [NTE5828](#) [NTE5911](#)  
[NTE5915](#) [NTE6104](#) [NTE6163](#) [NTE6164](#) [NTE6165](#) [NTE6364](#) [TSD3G](#) [SET130312](#) [NRVUS110VT3G](#) [UES1106](#) [UES1306](#)  
[NRVUS240VT3G](#) [D5FE60-5063](#) [R4000GPS-TP](#) [D4015L56TP](#) [UES1306HR2](#) [FX20K120](#) [D20XB60-7101](#)