

# WL2810

## Low noise, High PSRR, High speed, CMOS LDO

[Http://www.sh-willsemi.com](http://www.sh-willsemi.com)

### Descriptions

The WL2810 series is a high accuracy, low noise, high speed, low dropout CMOS Linear regulator with high ripple rejection. The devices offer a new level of cost effective performance in cellular phones, laptop and notebook computers, and other portable devices.

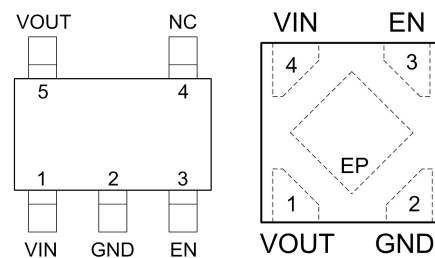
The WL2810 has the fold-back maximum output current which depends on the output voltage. So the current limit functions both as a short circuit protection and as an output current limiter.

The WL2810 regulators are available in standard SOT-353 package and DFN1x1-4L Package. Standard products are Pb-free and Halogen-free.

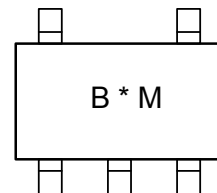


SOT-353

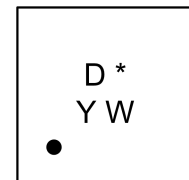
DFN1X1-4L



Pin Configuration (Top View)



**B : Package Code**  
**\* : Voltage Code**  
**M: Month(A-Z)**



**D: Package Code**  
**\* : Voltage Code**  
**Y : Year Code**  
**W: Week Code**

For detail marking information, please see page 10.

### Marking

### Features

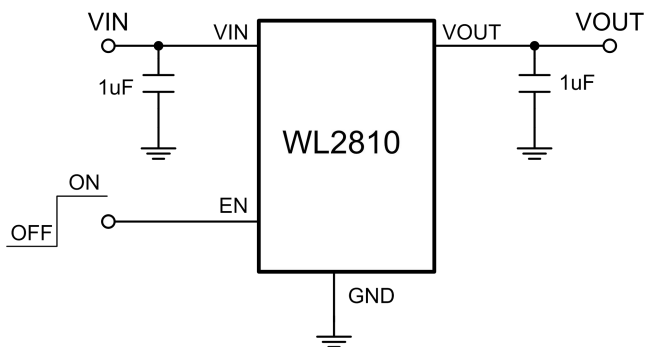
- Input voltage : 2.2V~5.5V
- Output range : 1.0V~3.3V
- Output current : 300mA
- PSRR : 70dB @ 217Hz
- Dropout voltage : 250mV @ I<sub>OUT</sub>=300mA
- Quiescent current : 42μA Typ.
- Shut-down current : < 1μA
- Recommend capacitor : 1uF

### Applications

- MP3/MP4 Players
- Cellphones, radiophone, digital cameras
- Bluetooth, wireless handsets
- Others portable electronics device

### Order Information

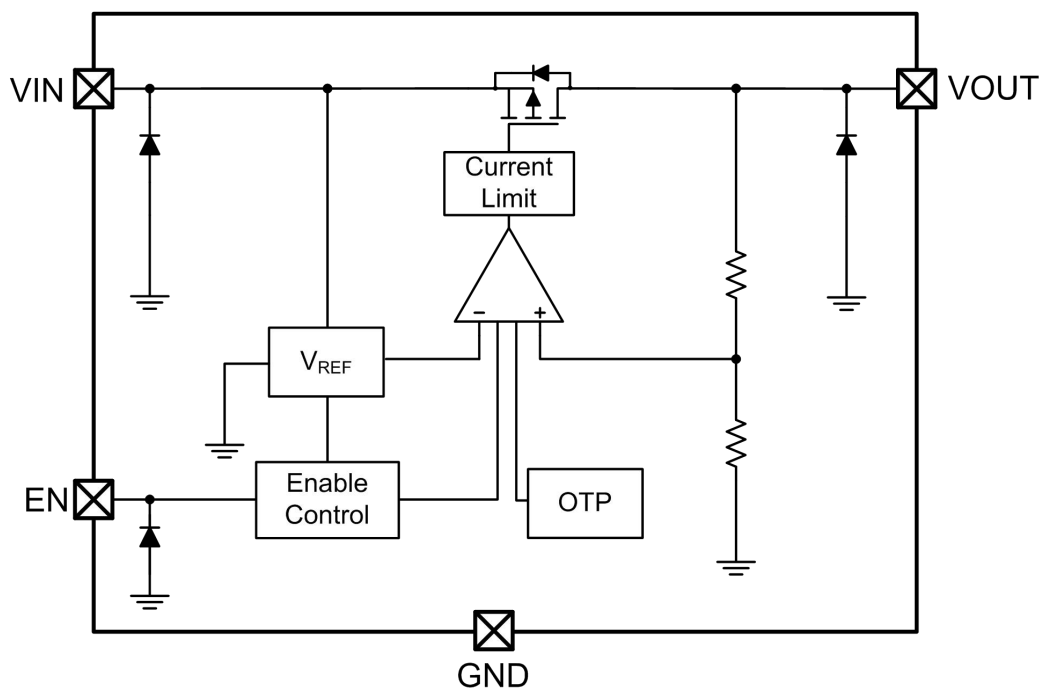
For detail order information, please see page 10.

**Typical Application**

**Pin Description**
**SOT-353**

PIN	Symbol	Description
1	VIN	Input
2	GND	Ground
3	EN	Enable (Active high)
4	NC	Not connected
5	VOUT	Output

**DFN1X1-4L**

PIN	Symbol	Description
1	VOUT	Output
2	GND	Ground
3	EN	Enable (Active high)
4	VIN	Input
EP		GND level, this pin must connect to GND.

**Block Diagram**


**Absolute Maximum Ratings**

Parameter	Value	Unit	
Power Dissipation, $P_D@T_A=25^\circ\text{C}$	400	mW	
$V_{IN}$ Range	-0.3~6.5	V	
$V_{EN}$ Range	-0.3~ $V_{IN}$	V	
$V_{OUT}$ Range	-0.3~ $V_{IN}$	V	
$I_{OUT}$	400	mA	
Lead Temperature Range	260	$^\circ\text{C}$	
Storage Temperature Range	-55 ~ 150	$^\circ\text{C}$	
Operating Junction Temperature Range	150	$^\circ\text{C}$	
ESD Ratings	HBM	8000	V
	MM	400	V

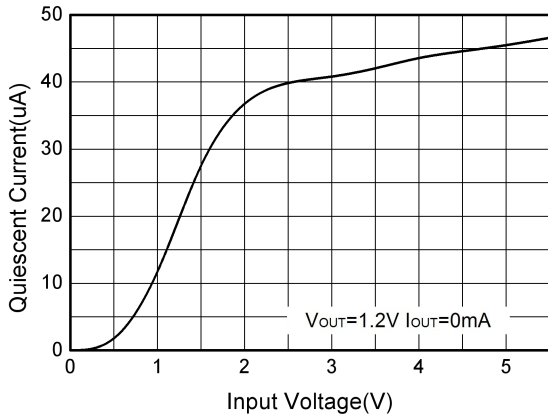
**Recommend Operating Ratings**

Parameter	Value	Unit
Operating Supply voltage	2.2~5.5	V
Operating Temperature Range	-40~85	$^\circ\text{C}$
Thermal Resistance, $R_{\theta JA}$ (SOT-353)	250	$^\circ\text{C}/\text{W}$
Thermal Resistance, $R_{\theta JA}$ (DFN1x1-4L)	250	$^\circ\text{C}/\text{W}$

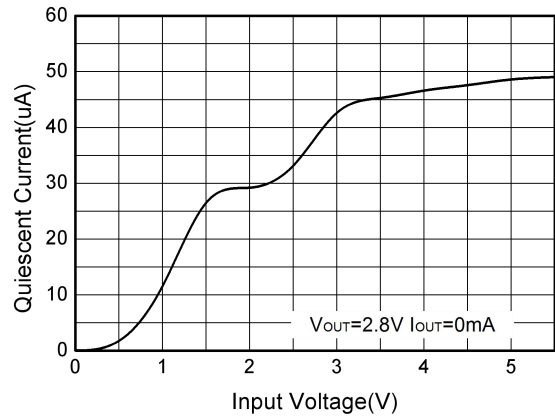
**Electronics Characteristics (Ta=25°C, V<sub>IN</sub>=V<sub>OUT</sub>+1V, C<sub>IN</sub>=C<sub>OUT</sub>=1μF, unless otherwise noted)**

Parameter	Symbol	Condition	Min.	Typ.	Max.	Unit
Output Voltage	V <sub>OUT</sub>	V <sub>OUT</sub> ≤ 1.5V, V <sub>IN</sub> =2.7V, I <sub>OUT</sub> =1mA	0.97 V <sub>OUT</sub>	V <sub>OUT</sub>	1.03 V <sub>OUT</sub>	V
		V <sub>OUT</sub> > 1.5V, I <sub>OUT</sub> =1mA	0.98 V <sub>OUT</sub>	V <sub>OUT</sub>	1.02 V <sub>OUT</sub>	
Current Limit	I <sub>LIM</sub>	V <sub>EN</sub> =V <sub>IN</sub>	300			mA
Dropout Voltage	V <sub>DROP</sub>	V <sub>OUT</sub> =3.3V, I <sub>OUT</sub> =300mA		220	330	mV
		V <sub>OUT</sub> =3.0V, I <sub>OUT</sub> =300mA		240	360	
		V <sub>OUT</sub> =2.8V, I <sub>OUT</sub> =300mA		250	375	
		V <sub>OUT</sub> =2.5V, I <sub>OUT</sub> =300mA		280	420	
		V <sub>OUT</sub> =1.8V, I <sub>OUT</sub> =300mA		400	600	
		V <sub>OUT</sub> ≤ 1.5V, I <sub>OUT</sub> =300mA	V <sub>in-min</sub> =2.2V			
Line Regulation	ΔV <sub>LINE</sub>	V <sub>IN</sub> =2.7~5.5V, I <sub>OUT</sub> =1mA		0.01	0.1	%/V
Load Regulation	ΔV <sub>Load</sub>	V <sub>OUT</sub> =2.8V, I <sub>OUT</sub> =1~300mA		10	30	mV
Quiescent Current	I <sub>Q</sub>	V <sub>OUT</sub> =2.8V, I <sub>OUT</sub> =0		42	70	μA
Short Current	I <sub>SHORT</sub>	V <sub>EN</sub> =V <sub>IN</sub> , V <sub>OUT</sub> Short to GND with 1Ω		80		mA
Shut-down Current	I <sub>SHDN</sub>	V <sub>EN</sub> =0V			1.0	μA
Power Supply Rejection Rate	PSRR	V <sub>IN</sub> =(V <sub>OUT</sub> +1V) <sub>DC</sub> +0.5V <sub>P-P</sub> F=217Hz, I <sub>OUT</sub> =10mA		70		dB
		V <sub>IN</sub> =(V <sub>OUT</sub> +1V) <sub>DC</sub> +0.5V <sub>P-P</sub> F=10KHz, I <sub>OUT</sub> =10mA		60		
EN logic high voltage	V <sub>ENH</sub>	V <sub>IN</sub> =5.5V, I <sub>OUT</sub> =1mA	1.2			V
EN logic low voltage	V <sub>ENL</sub>	V <sub>IN</sub> =5.5V, V <sub>OUT</sub> =0V			0.4	V
EN Input Current	I <sub>EN</sub>	V <sub>EN</sub> = 0 to 5.5V			1.0	μA
Output Noise Voltage	e <sub>NO</sub>	10Hz to 100KHz, C <sub>OUT</sub> =1μF		55		μV <sub>RMS</sub>
Thermal shutdown threshold	T <sub>SD</sub>			165		°C
Thermal shutdown hysteresis	Δ T <sub>SD</sub>			30		°C

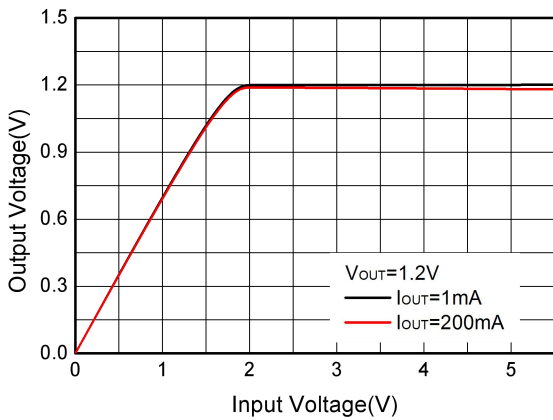
Typical characteristics ( $T_a=25^\circ\text{C}$ ,  $V_{IN}=3.8\text{V}$ ,  $V_{OUT}=2.8\text{V}$ ,  $C_{IN}=C_{OUT}=1\mu\text{F}$ , unless otherwise noted)



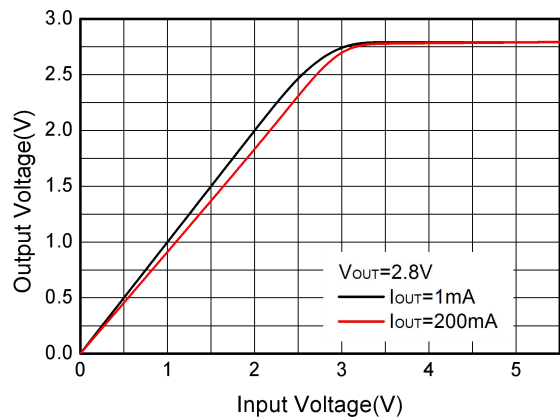
**Quiescent current vs. Supply voltage**



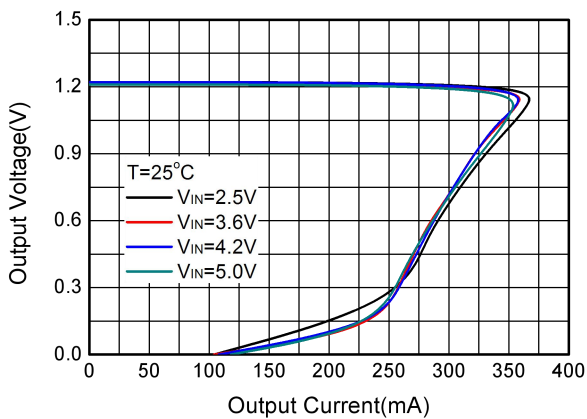
**Quiescent current vs. Supply voltage**



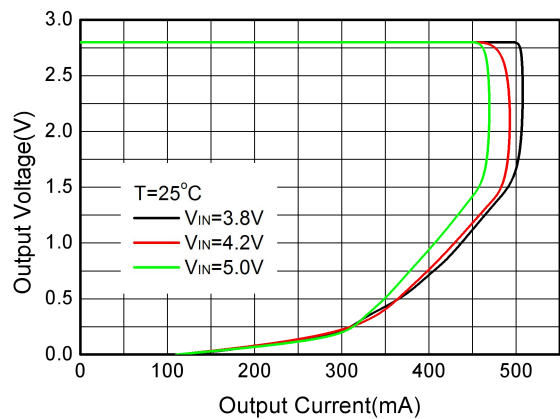
**Output voltage vs. Supply voltage**



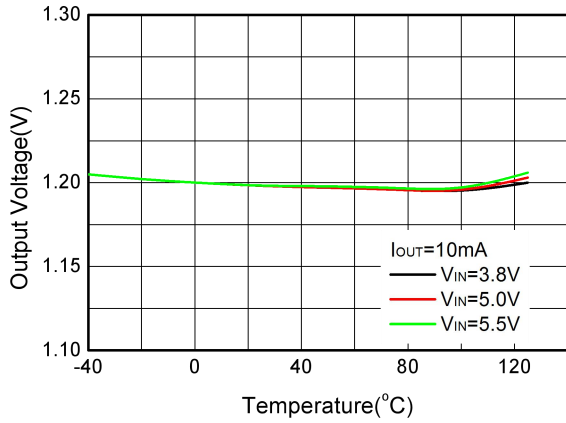
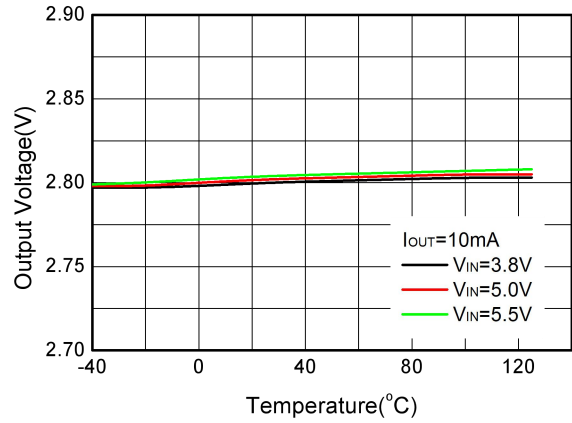
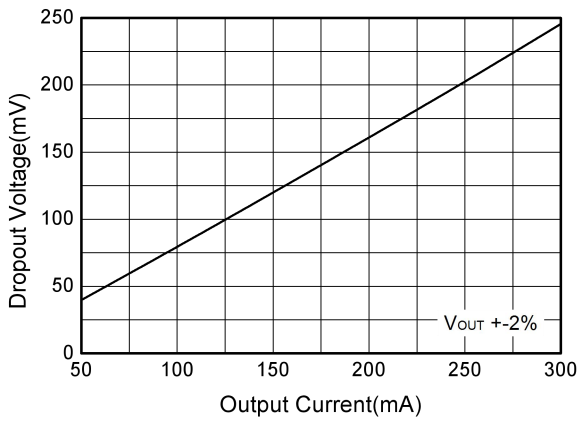
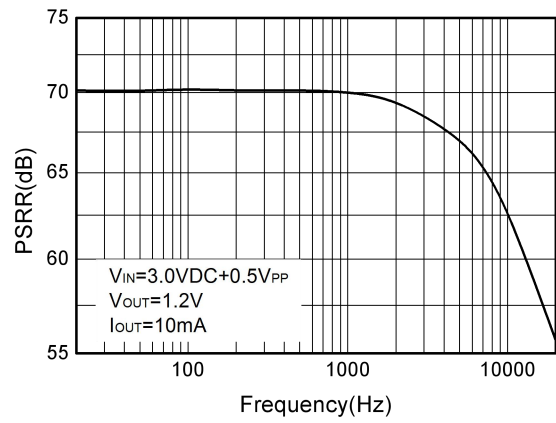
**Output voltage vs. Supply voltage**

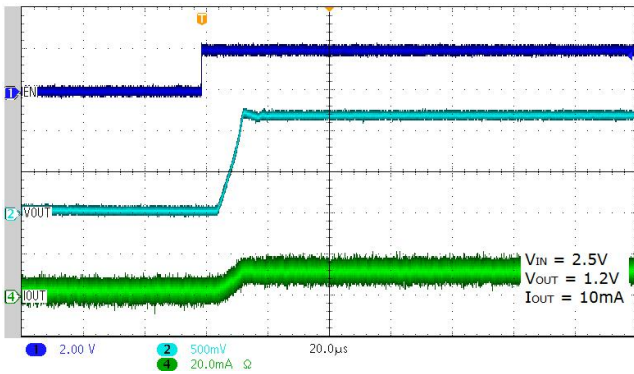
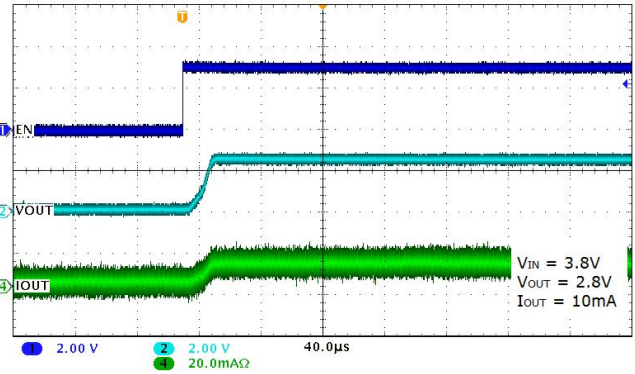
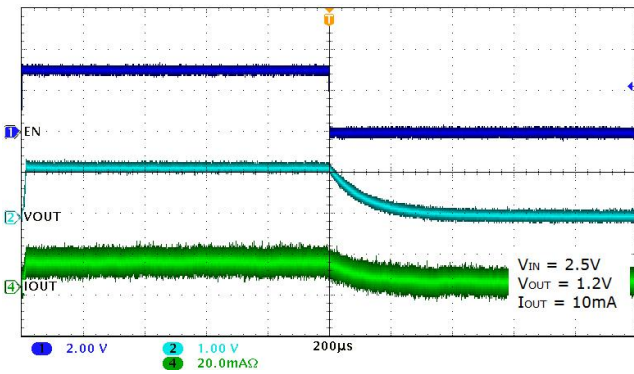
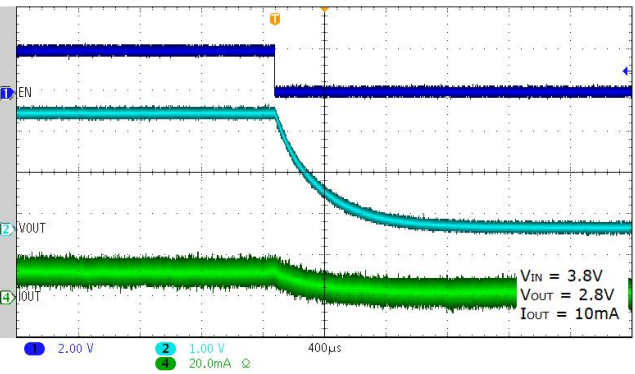
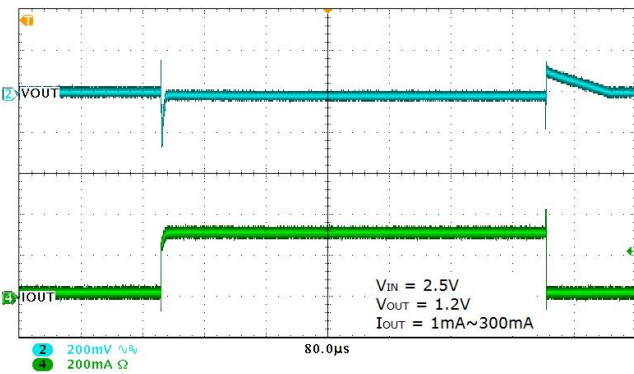
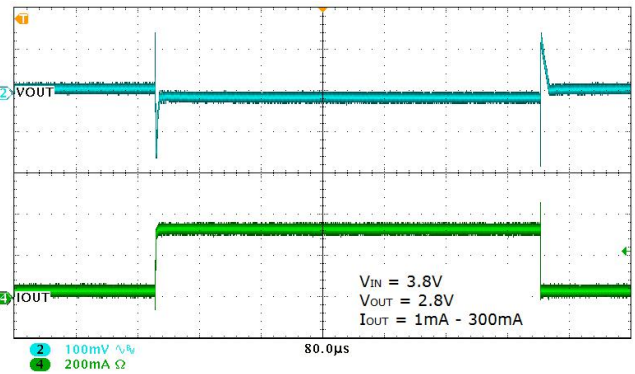
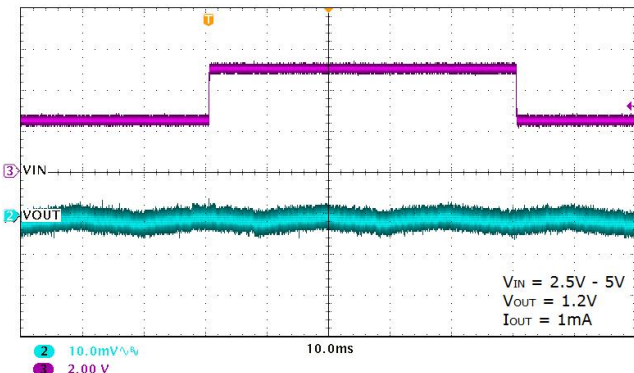
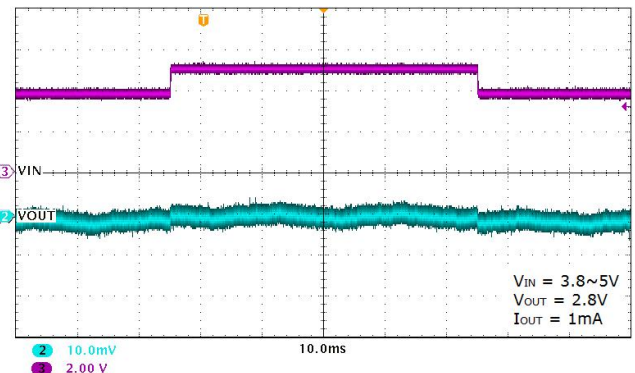


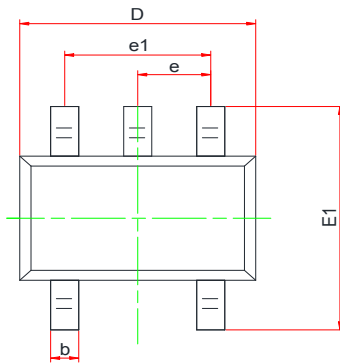
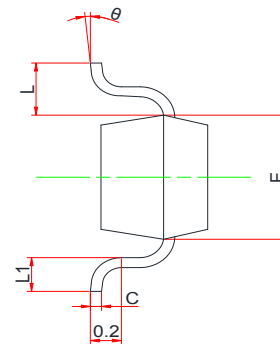
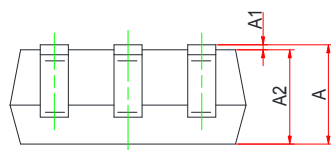
**Output voltage vs. Output current**



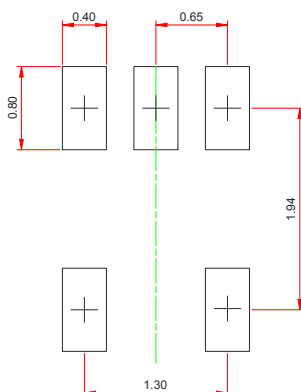
**Output voltage vs. Output current**


**Output Voltage vs. Temperature**

**Output Voltage vs. Temperature**

**Dropout Voltage vs. Output Current**

**PSRR**


**Soft Start form EN**

**Soft Start form EN**

**EN Shutdown**

**EN Shutdown**

**Load Step**

**Load Step**

**Line Step**

**Line Step**

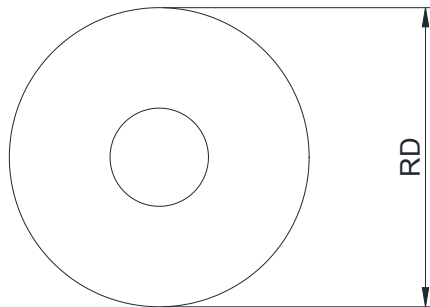
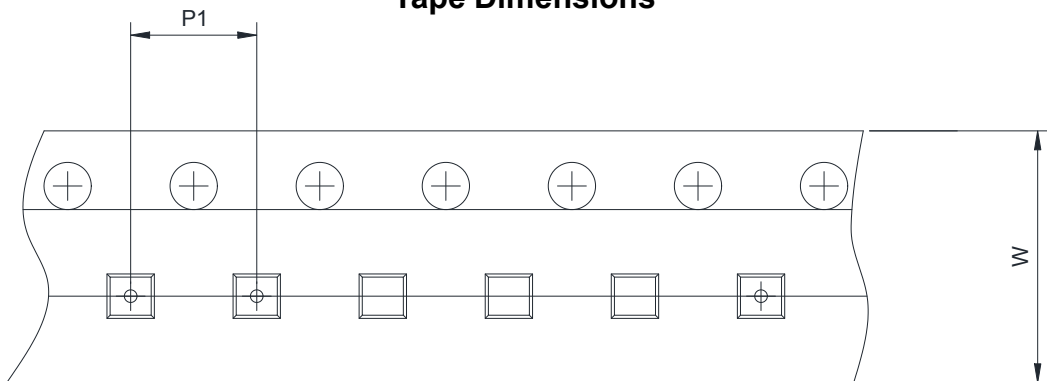
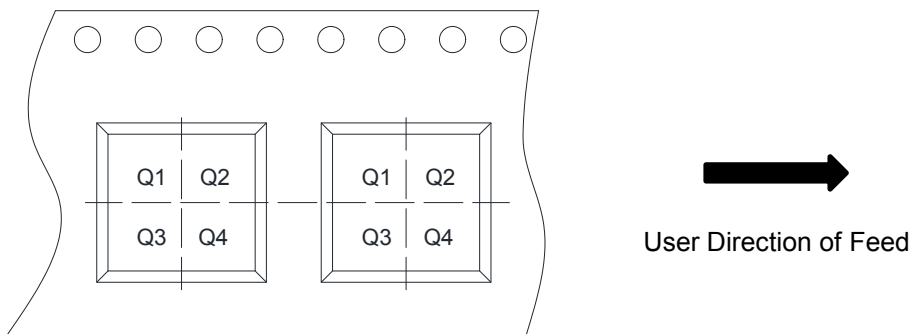
**PACKAGE OUTLINE DIMENSIONS**
**SOT-353**

**TOP VIEW**

**SIDE VIEW**

**SIDE VIEW**

Symbol	Dimensions in Millimeters		
	Min.	Typ.	Max.
A	0.85	-	1.10
A1	0.00	-	0.10
A2	0.80	0.90	1.00
b	0.15	0.25	0.35
c	0.08	-	0.15
D	2.00	2.10	2.20
E	1.15	1.25	1.35
E1	2.15	2.30	2.45
e	0.65 Typ.		
e1	1.20	1.30	1.40
L	0.50 Ref.		
L1	0.26	0.36	0.46
$\theta$	0 °	-	8 °

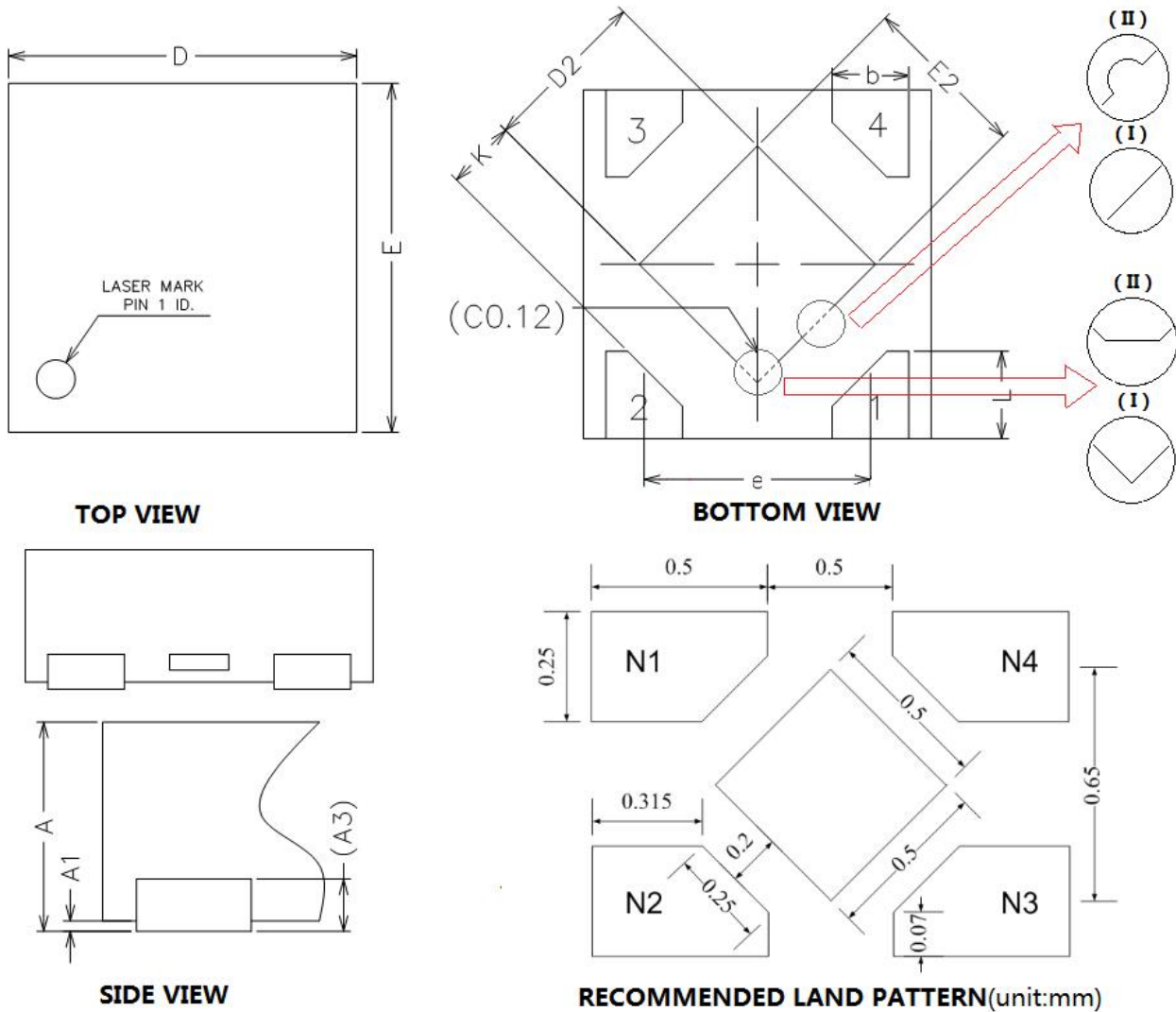
**Recommend PCB Layout (Unit: mm)**

**Notes:**

This recommended land pattern is for reference purposes only. Please consult your manufacturing group to ensure your PCB design guidelines are met.

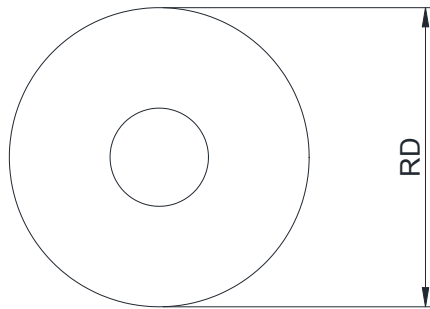
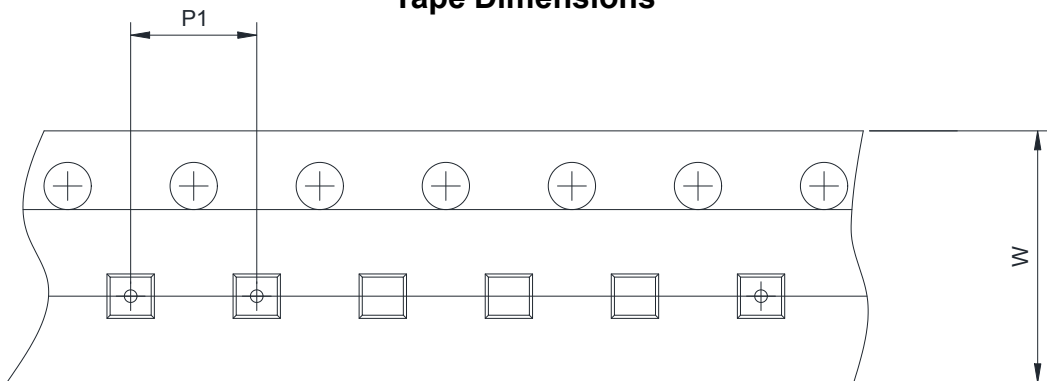
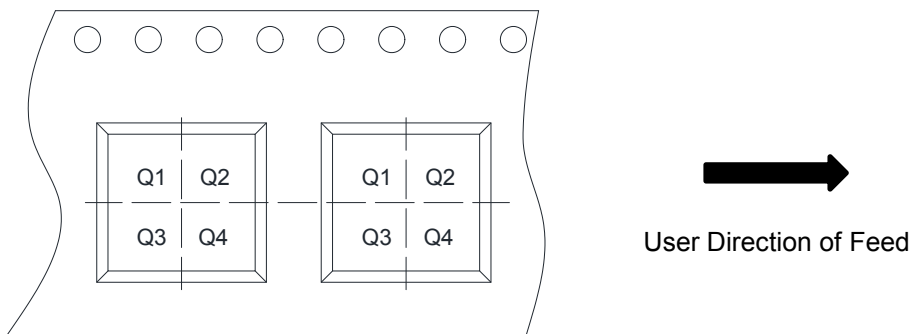


**TAPE AND REEL INFORMATION**
**Reel Dimensions**

**Tape Dimensions**

**Quadrant Assignments For PIN1 Orientation In Tape**


RD	Reel Dimension	<input checked="" type="checkbox"/> 7inch	<input type="checkbox"/> 13inch		
W	Overall width of the carrier tape	<input checked="" type="checkbox"/> 8mm	<input type="checkbox"/> 12mm		
P1	Pitch between successive cavity centers	<input type="checkbox"/> 2mm	<input checked="" type="checkbox"/> 4mm	<input type="checkbox"/> 8mm	
Pin1	Pin1 Quadrant	<input type="checkbox"/> Q1	<input type="checkbox"/> Q2	<input checked="" type="checkbox"/> Q3	<input type="checkbox"/> Q4

**Packaging Information**
**DFN1x1-4L**


Symbol	Dimensions In Millimeters		
	Min.	Typ.	Max.
A	0.34	0.37	0.40
A1	0.00	0.02	0.105
A3	0.10 REF		
b	0.17	0.22	0.27
D	0.95	1.00	1.05
E	0.95	1.00	1.05
D2	0.43	0.48	0.53
E2	0.43	0.48	0.53
L	0.20	0.25	0.30
e	0.60	0.65	0.70
K	0.15	-	-

**TAPE AND REEL INFORMATION**
**Reel Dimensions**

**Tape Dimensions**

**Quadrant Assignments For PIN1 Orientation In Tape**


RD	Reel Dimension	<input checked="" type="checkbox"/> 7inch	<input type="checkbox"/> 13inch
W	Overall width of the carrier tape	<input checked="" type="checkbox"/> 8mm	<input type="checkbox"/> 12mm <input type="checkbox"/> 16mm
P1	Pitch between successive cavity centers	<input checked="" type="checkbox"/> 2mm	<input type="checkbox"/> 4mm <input type="checkbox"/> 8mm
Pin1	Pin1 Quadrant	<input checked="" type="checkbox"/> Q1	<input type="checkbox"/> Q2 <input type="checkbox"/> Q3 <input type="checkbox"/> Q4

## ORDER INFORMATION

Ordering No.	Vout (V)	Package	Operating Temperature	Marking	Shipping
WL2810B12-5/TR	1.2	SOT-353	-40~+85°C	BEM	Tape and Reel, 3000
WL2810B15-5/TR	1.5	SOT-353	-40~+85°C	BGM	Tape and Reel, 3000
WL2810B18-5/TR	1.8	SOT-353	-40~+85°C	BHM	Tape and Reel, 3000
WL2810B28-5/TR	2.8	SOT-353	-40~+85°C	BLM	Tape and Reel, 3000
WL2810B30-5/TR	3.0	SOT-353	-40~+85°C	BMM	Tape and Reel, 3000
WL2810B33-5/TR	3.3	SOT-353	-40~+85°C	BNM	Tape and Reel, 3000
WL2810D10-4/TR	1.0	DFN1x1-4L	-40~+85°C	DB YW	Tape and Reel, 10000
WL2810D105-4/TR	1.05	DFN1x1-4L	-40~+85°C	DC YW	Tape and Reel, 10000
WL2810D12-4/TR	1.2	DFN1x1-4L	-40~+85°C	DE YW	Tape and Reel, 10000
WL2810D13-4/TR	1.3	DFN1x1-4L	-40~+85°C	DF YW	Tape and Reel, 10000
WL2810D15-4/TR	1.5	DFN1x1-4L	-40~+85°C	DG YW	Tape and Reel, 10000
WL2810D18-4/TR	1.8	DFN1x1-4L	-40~+85°C	DH YW	Tape and Reel, 10000
WL2810D25-4/TR	2.5	DFN1x1-4L	-40~+85°C	DK YW	Tape and Reel, 10000
WL2810D28-4/TR	2.8	DFN1x1-4L	-40~+85°C	DL YW	Tape and Reel, 10000
WL2810D30-4/TR	3.0	DFN1x1-4L	-40~+85°C	DM YW	Tape and Reel, 10000
WL2810D33-4/TR	3.3	DFN1x1-4L	-40~+85°C	DN YW	Tape and Reel, 10000

**Marking:**

- B\*** = Device Code
- D\*** = Device Code
- M** = Month
- Y** = Year
- W** = Week

## X-ON Electronics

Largest Supplier of Electrical and Electronic Components

*Click to view similar products for [Linear Voltage Regulators](#) category:*

*Click to view products by [Will Semiconductor](#) manufacturer:*

Other Similar products are found below :

[LV56831P-E](#) [LV5684PVD-XH](#) [MCDTSA6-2R](#) [L7815ACV-DG](#) [PQ3DZ53U](#) [LV56801P-E](#) [TLE42794G](#) [L78L05CZ/1SX](#) [L78LR05DL-MA-E](#) [636416C](#) [714954EB](#) [ZMR500QFTA](#) [LV5680P-E](#) [L78M15CV-DG](#) [L79M05T-E](#) [TLS202A1MBVHTSA1](#) [L78LR05D-MA-E](#) [NCV317MBTG](#) [NTE7227](#) [MP2018GZD-33-P](#) [MP2018GZD-5-P](#) [LV5680NPVC-XH](#) [LT1054CN8](#) [MP2018GZD-5-Z](#) [MP2018GZD-33-Z](#) [AT55EL50ESE](#) [APL5934DKAI-TRG](#) [78L05U](#) [78L05](#) [CL9193A15L5M](#) [CL9036A30F4M](#) [CL9036A18F4M](#) [CL9036A25F4M](#) [CL9036A28F4M](#) [CL9036A33F4M](#) [CL9906A18F4N](#) [CL9906A30F4N](#) [CL9908A30F4M](#) [CL9908A33F4M](#) [CL9908A18F4M](#) [CL9908A28F4M](#) [TL431ACM/TR](#) [TL431AIM/TR](#) [LM78L05ACM/TR](#) [HT7812ARMZ](#) [HT7805ARMZ](#) [HT317LRHZ](#) [HXY6206I-3.0](#) [HXY6206I-3.3](#) [XC6206P252MR](#) [XC6206P282MR](#)