

WL2815

Low power consumption, CMOS LDO

[Http://www.sh-willsemi.com](http://www.sh-willsemi.com)

Descriptions

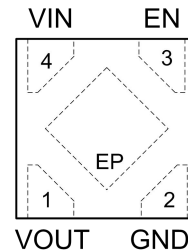
The WL2815 series are low dropout linear regulators and optimized to provide a high performance solution for battery power system to deliver low quiescent current. The devices offer a new level of cost effective performance in cellular phones, laptop and notebook computers, and other portable devices.

The WL2815 series are designed to make use of low cost ceramic capacitors which ensure the stability of the output current, and enhance the efficiency in order to prolong the battery life of those portable devices.

The WL2815 regulators are available in DFN1x1-4L packages. Standard products are Pb-free and Halogen free products.



DFN1X1-4L



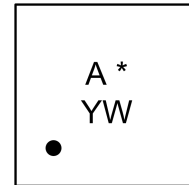
Features

- Quiescent current : 1.5 μ A Typ.
- Input voltage : 2.1V ~ 5.5V
- Output voltage : 1.1V ~ 3.3V
- Output current : 300mA @ V_{OUT}=3.3V
- Output current : 200mA @ V_{OUT}=2.0V
- Output current : 150mA @ V_{OUT}=1.5V
- Dropout voltage : 100mV @ 100mA
- Recommend capacitor : 1 μ F or more
- Operating Temperature : -40 ~ +85 °C
- Output short protection

Applications

- MP3/MP4 Players
- Cell phones
- Bluetooth earphone
- Wireless mouse
- Others electronics devices

Pin Configuration (Top View)



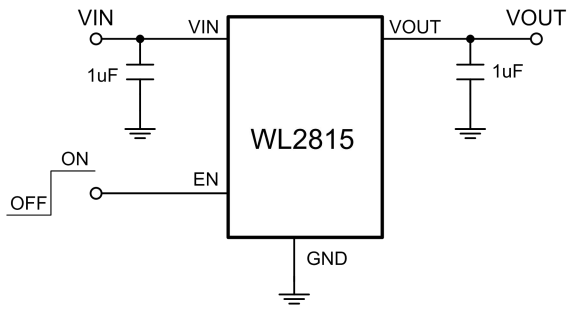
A: Device Code
*** : Voltage Code**
Y : Year Code
W: Week Code

For detail marking information, please see page 9.

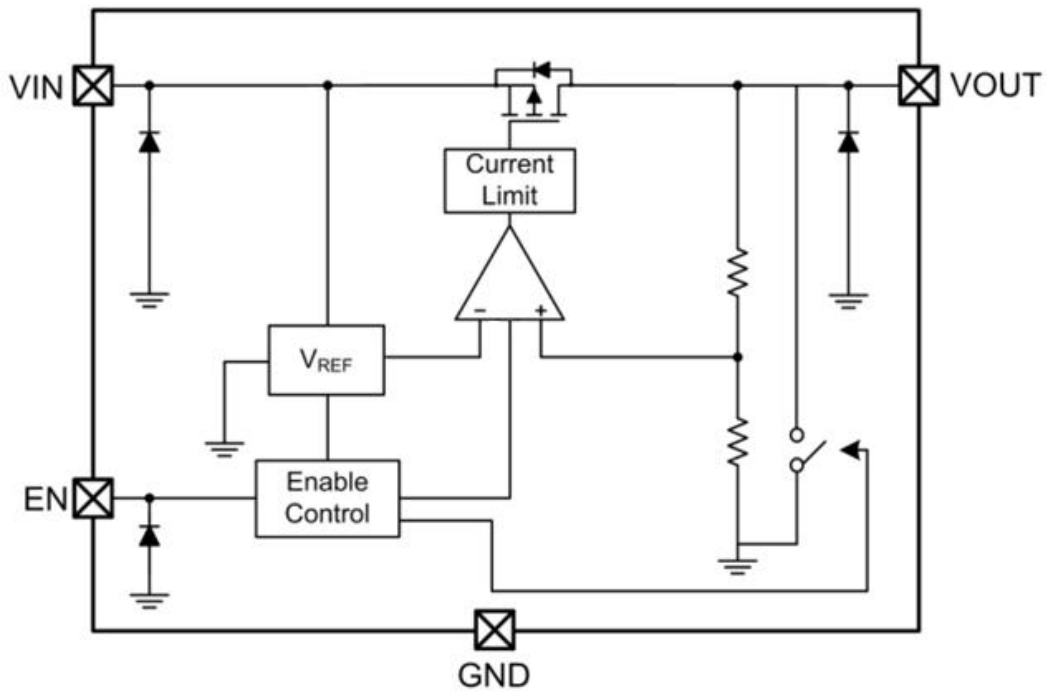
Marking

For detail order information, please see page 9.

Order Information

Typical Application
Pin Description

DFN1X1-4L

PIN	Symbol	Description
1	VOUT	Output
2	GND	Ground
3	EN	Enable (Active high, not floating)
4	VIN	Input
EP		GND level, this pin must connect to GND.

Block Diagram


Absolute Maximum Ratings

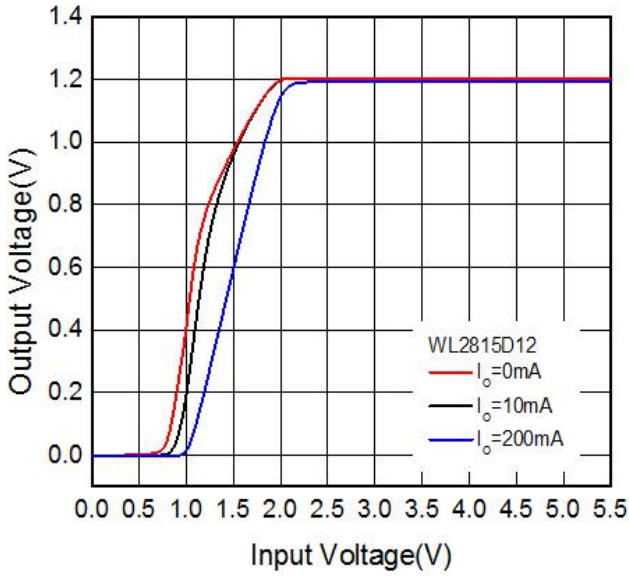
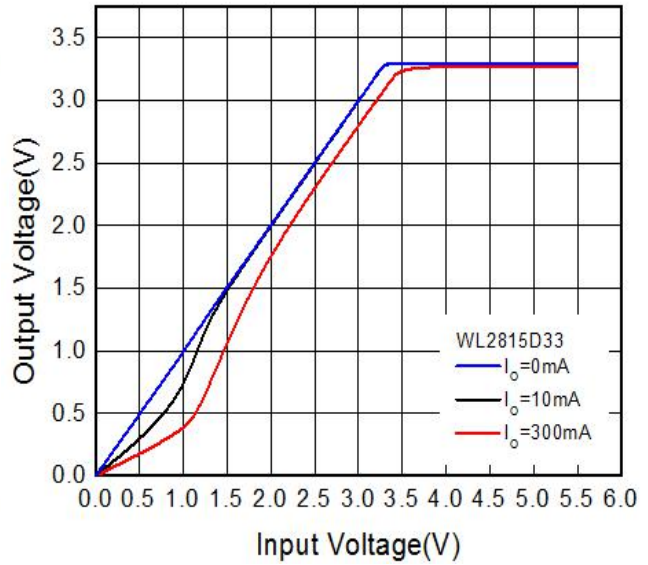
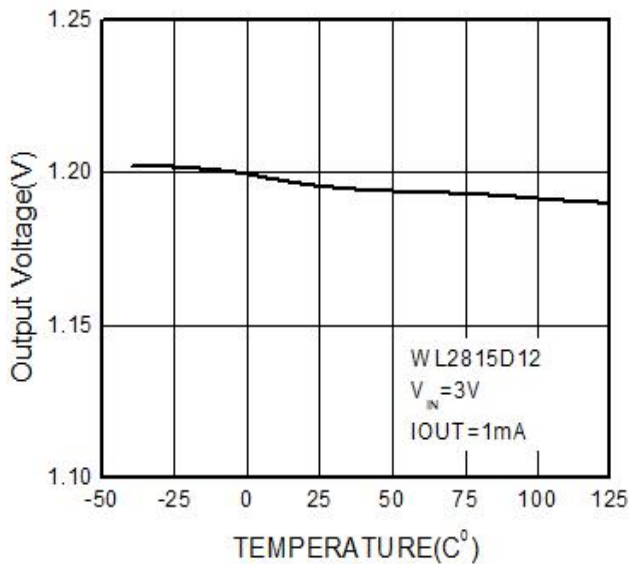
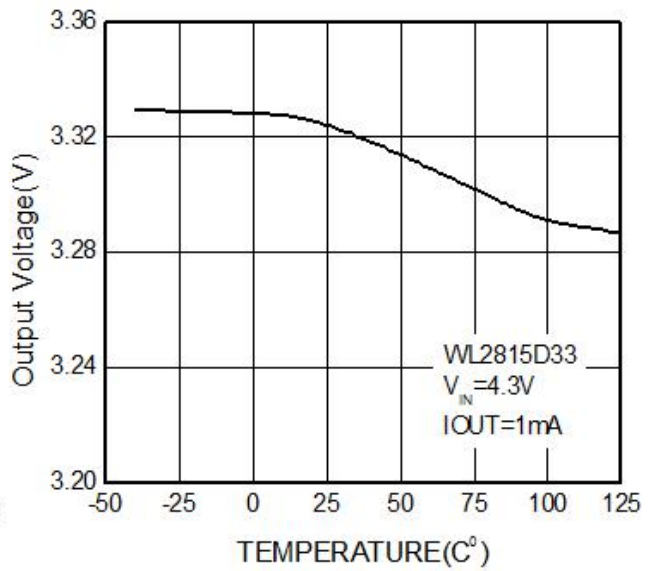
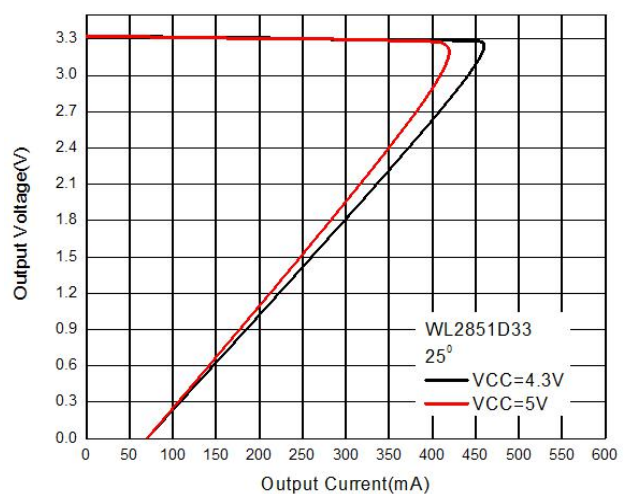
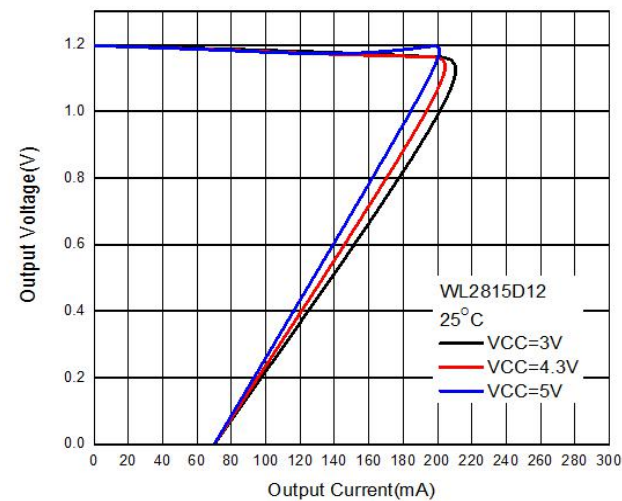
Parameter	Value	Unit
Power Dissipation	400	mW
V _{IN} Range	-0.3~6.5	V
V _{EN} Range	-0.3~V _{IN}	V
V _{OUT} Range	-0.3~V _{IN}	V
Lead Temperature	260	°C
Storage Temperature	-65 ~ 150	°C
Operating Junction Temperature	150	°C
MSL	Level-3	
ESD Capability, Human Body Model	7000	V
ESD Capability, Machine Model	400	V

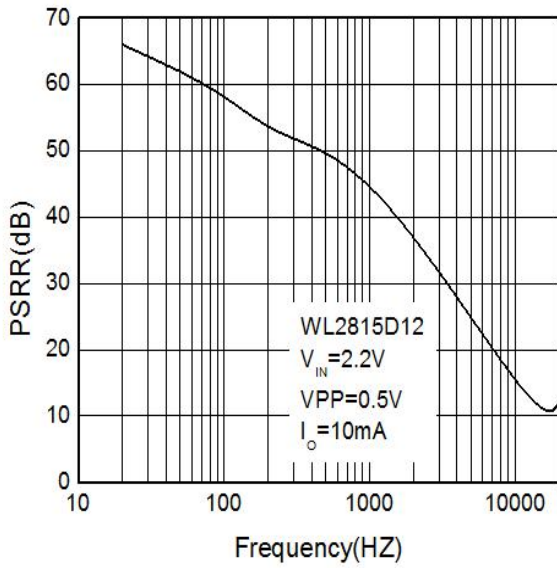
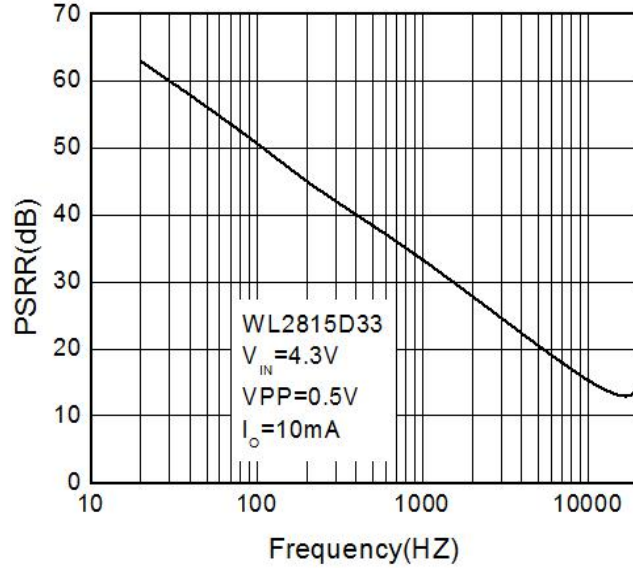
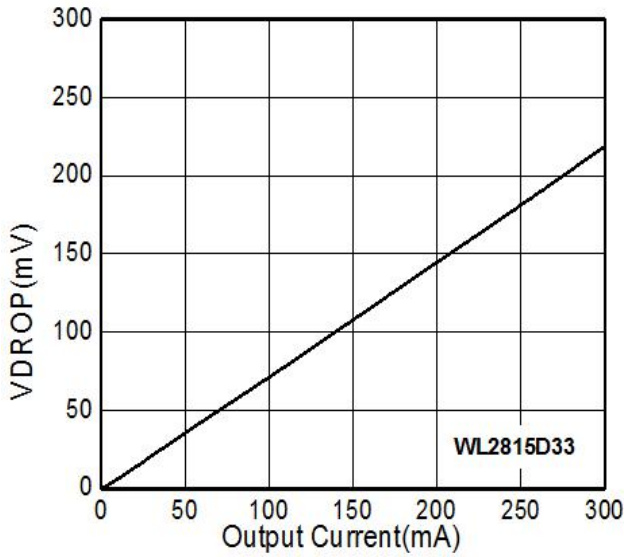
Operating Range

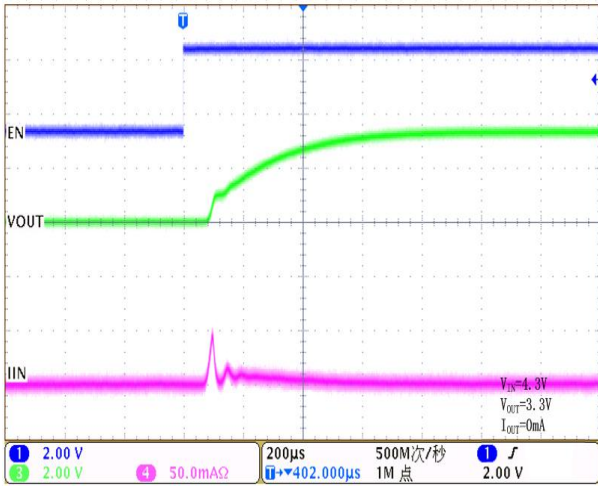
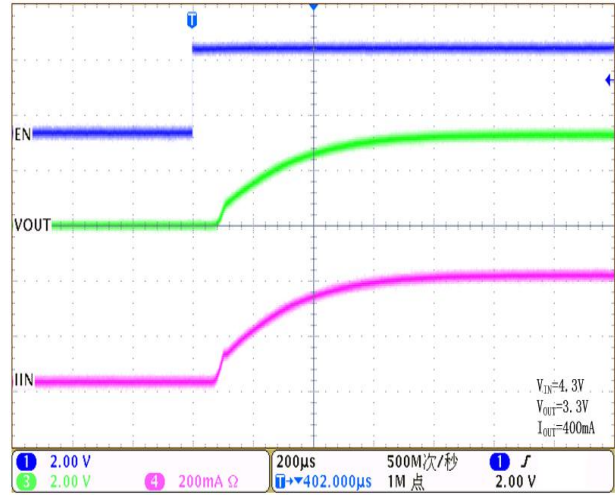
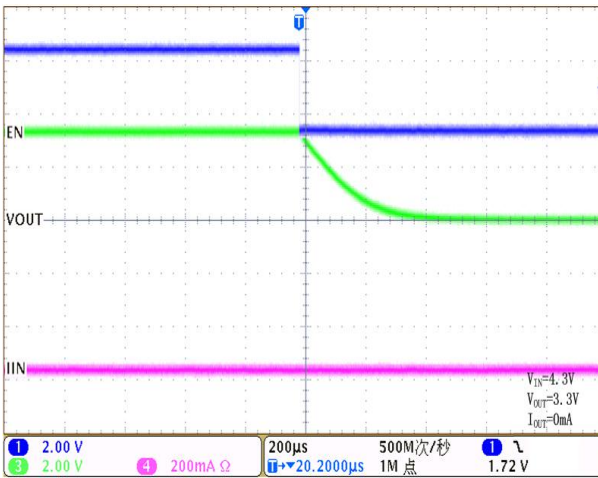
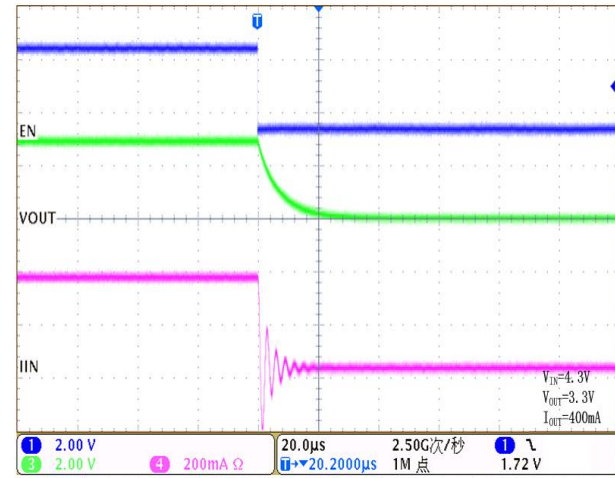
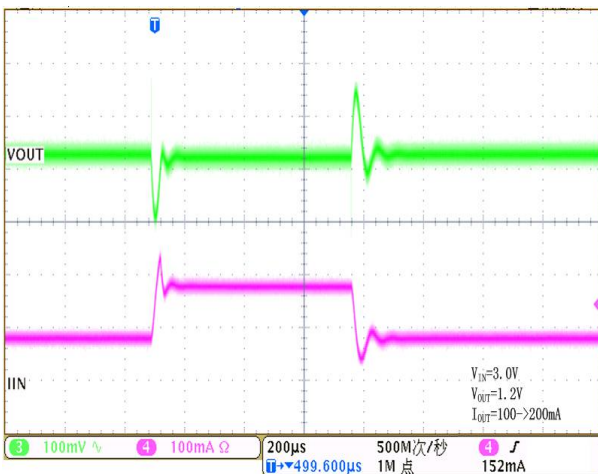
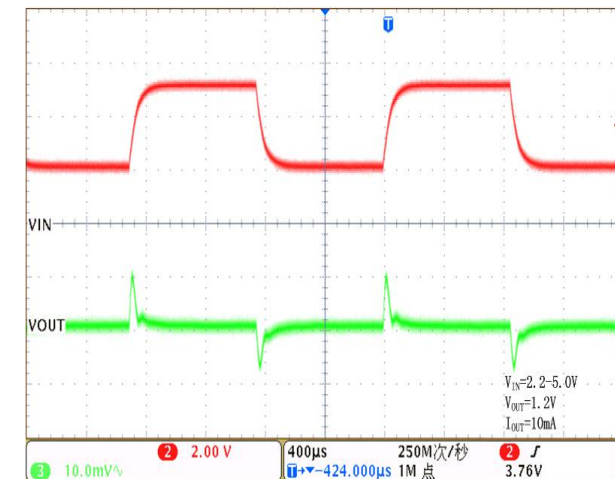
Parameter	Value	Unit
Thermal Resistance, R _{θJA}	250	°C/W
Input Voltage	2.1 ~ 5.5	V
Operating Temperature Range	-40~85	°C

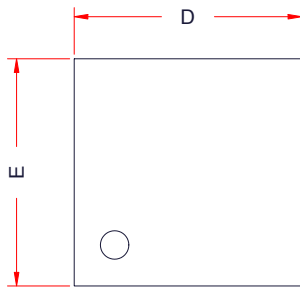
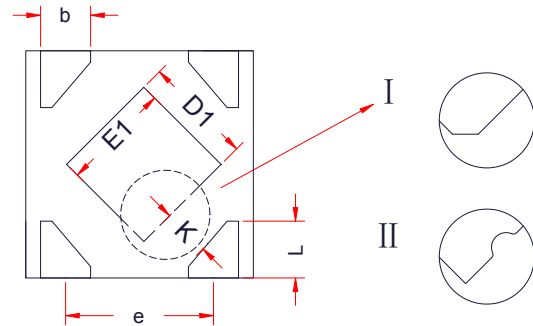
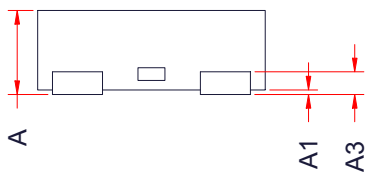
Electronics Characteristics (V_{IN} = V_{OUT} +1V, C_{IN}=C_{OUT}=1uF, T_A=25°C, unless otherwise noted)

Parameter	Symbol	Condition	Min.	Typ.	Max.	Unit
Output Voltage	V _{OUT}	V _{out} <2V, I _{OUT} =1mA	-3%		+3%	
		V _{out} ≥2V, I _{OUT} =1mA	-2%		+2%	
Output Current	I _{OUT}	V _{OUT} =1.2V	150			mA
		V _{OUT} =2.0V	200			
		V _{OUT} =3.3V	300			
Output short current limiter	I _{LIM}	V _{OUT} =GND		80		mA
Dropout Voltage	V _{DROP}	I _{OUT} =100mA, V _{OUT} =3.3V		75		mV
		I _{OUT} =300mA, V _{OUT} =3.3V		230		
Line Regulation	ΔV _{LINE}	V _{IN} =V _{OUT} +1V~5.5V, I _{OUT} =40mA		0.1		%/V
Load Regulation	ΔV _{LOAD}	I _{OUT} = 1~ 300mA		20		mV
Quiescent Current	I _Q	V _{IN} = V _{OUT} +1V, I _{OUT} =0A		1.5	2.5	uA
Output Voltage Temperature Coefficient	TC	-40°C≤T _a ≤125°C		100		ppm/°C
Power Supply Ripple Rejection	PSRR	V _{p-p} =1V, F=100Hz, I _{OUT} =10mA		65		dB
		V _{p-p} =1V, F=1KHz, I _{OUT} =10mA		45		dB
Output Noise Voltage	V _{NO}	BW=10Hz to 100kHz I _{OUT} =10mA		50		uVrms
Shut Down Current	I _{SD}	V _{EN} =0V		0.01	1.0	uA
Soft-Start Time	T _{SS}	V _{OUT} =10%-90%		500		us
EN Logic High Voltage	V _{ENH}	V _{IN} =5.5V, I _{OUT} =1mA	1.2			V
EN Logic Low Voltage	V _{ENL}	V _{IN} =5.5V, V _{OUT} =0V			0.4	V
Output Discharge resistance	R _{DIS}	V _{IN} =4.0V, V _{EN} =0V		120		Ω

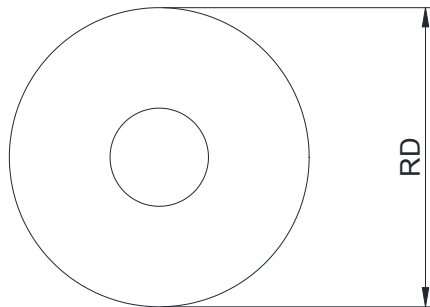
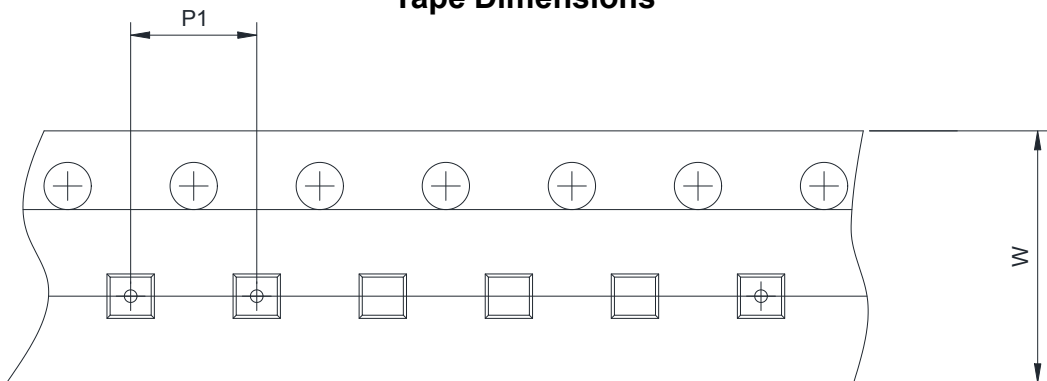
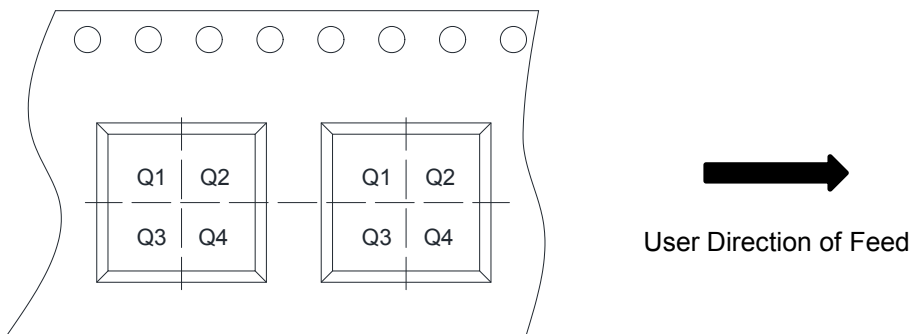
Typical Characteristics ($T_A=25^\circ\text{C}$, unless otherwise noted)

Output Voltage vs. Input Voltage

Output Voltage vs. Input Voltage

Output Voltage vs. Temperature

Output Voltage vs. Temperature


Output Voltage vs. Output Current

PSRR vs. Frequency
Output Voltage vs. Output Current

PSRR vs. Frequency

Dropout Voltage vs. Output Current


Turn On

Turn On

Turn Off

Turn Off

Load Step

Line Step

PACKAGE OUTLINE DIMENSIONS
DFN1x1-4L

TOP VIEW

BOTTOM VIEW

SIDE VIEW

Symbol	Dimensions in Millimeters		
	Min.	Typ.	Max.
A	0.32	0.37	0.40
A1	-	0.02	0.05
A3	0.10 Ref.		
b	0.17	0.22	0.28
L	0.20	-	0.30
D	0.95	1.00	1.05
E	0.95	1.00	1.05
D1	0.43	0.48	0.53
E1	0.43	0.48	0.53
e	0.65BSC		
K	0.15Ref.		

TAPE AND REEL INFORMATION
Reel Dimensions

Tape Dimensions

Quadrant Assignments For PIN1 Orientation In Tape


RD	Reel Dimension	<input checked="" type="checkbox"/> 7inch	<input type="checkbox"/> 13inch
W	Overall width of the carrier tape	<input checked="" type="checkbox"/> 8mm	<input type="checkbox"/> 12mm <input type="checkbox"/> 16mm
P1	Pitch between successive cavity centers	<input checked="" type="checkbox"/> 2mm	<input type="checkbox"/> 4mm <input type="checkbox"/> 8mm
Pin1	Pin1 Quadrant	<input checked="" type="checkbox"/> Q1	<input type="checkbox"/> Q2 <input type="checkbox"/> Q3 <input type="checkbox"/> Q4

Order Information

Ordering No.	Vout (V)	Package	Operating Temperature	Marking	Shipping
WL2815D11-4/TR	1.1	DFN-1X1-4L	-40~+85°C	AD YW	10,000 Tape & Reel
WL2815D12-4/TR	1.2	DFN-1X1-4L	-40~+85°C	AE YW	10,000 Tape & Reel
WL2815D15-4/TR	1.5	DFN-1X1-4L	-40~+85°C	AG YW	10,000 Tape & Reel
WL2815D18-4/TR	1.8	DFN-1X1-4L	-40~+85°C	AH YW	10,000 Tape & Reel
WL2815D20-4/TR	2.0	DFN-1X1-4L	-40~+85°C	AI YW	10,000 Tape & Reel
WL2815D25-4/TR	2.5	DFN-1X1-4L	-40~+85°C	AK YW	10,000 Tape & Reel
WL2815D28-4/TR	2.8	DFN-1X1-4L	-40~+85°C	AL YW	10,000 Tape & Reel
WL2815D30-4/TR	3.0	DFN-1X1-4L	-40~+85°C	AM YW	10,000 Tape & Reel
WL2815D33-4/TR	3.3	DFN-1X1-4L	-40~+85°C	AN YW	10,000 Tape & Reel

Marking:

A: Device Code

*** : Voltage Code**

Y : Year Code

W: Week Code

X-ON Electronics

Largest Supplier of Electrical and Electronic Components

Click to view similar products for [Linear Voltage Regulators](#) category:

Click to view products by [Will Semiconductor](#) manufacturer:

Other Similar products are found below :

[LV5684PVD-XH](#) [MCDTSA6-2R](#) [L7815ACV-DG](#) [714954EB](#) [ZMR500QFTA](#) [BA033LBSG2-TR](#) [LV5680P-E](#) [L79M05T-E](#) [L78LR05D-MA-E](#) [NCV317MBTG](#) [NTE7227](#) [MP2018GZD-33-P](#) [MP2018GZD-5-P](#) [LV5680NPVC-XH](#) [LT1054CN8](#) [ZTS6538SE](#) [UA78L09CLP](#) [UA78L09CLPR](#) [CAT6221-PPTD-GT3](#) [MC78M09CDTRK](#) [NCV51190MNTAG](#) [78M05](#) [HT7150-1](#) [UM1540DB-18](#) [XC6234H281VR-G](#) [WL2834CA-6/TR](#) [TPL730F33-5TR](#) [TLS850F1TA](#) [V50](#) [TPS549B22RVFR](#) [UM1540DB-33](#) [WL9200P3-50B](#) [WL9100P3-33B](#) [WL9005D4-33](#) [XC6219B152MR](#) [WL2855K33-3/TR](#) [PJ54BM33SE](#) [PJ9500M25SA](#) [MD7218E33PC1](#) [H7533-2PR](#) [SK7812AU](#) [SD1A30](#) [78L33](#) [TP78L33T3](#) [L78L33ACUTR](#) [SK6513ST3A-50](#) [SK6054D4-09](#) [SK6054D4-18](#) [SK6054D4-11](#) [SK6054D4-10](#) [LM79L12F](#)