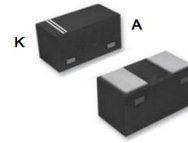


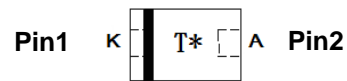
WSB5558N
Schottky Barrier Diode
<https://www.omnivision-group.com>
Features

- 100mA Average rectified forward current
- Low forward voltage
- Low leakage current
- Small package DFN1006-2L


DFN1006-2L

Applications

- Low Current rectification

Circuit

Marking
Absolute maximum ratings

Parameter	Symbol	Value	Unit
Reverse voltage (repetitive peak)	V_{RM}	30	V
Reverse voltage (DC)	V_R	30	V
Average rectified forward current	I_O	100	mA
Peak forward surge current (8.3ms single sine pluse)	I_{FSM}	1	A
Junction temperature	T_J	150	°C
Operating temperature	$Topr$	-40 ~ 125	°C
Storage temperature	$Tstg$	-40 ~ 150	°C

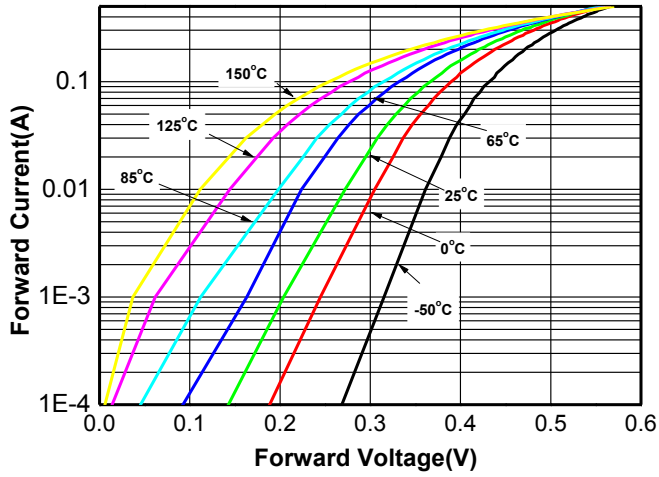
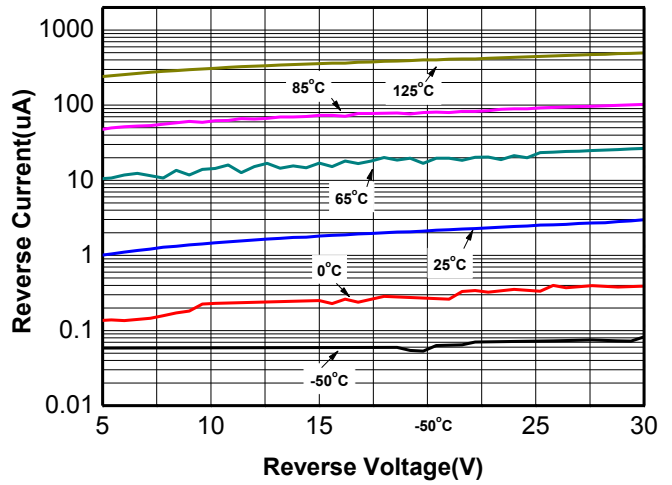
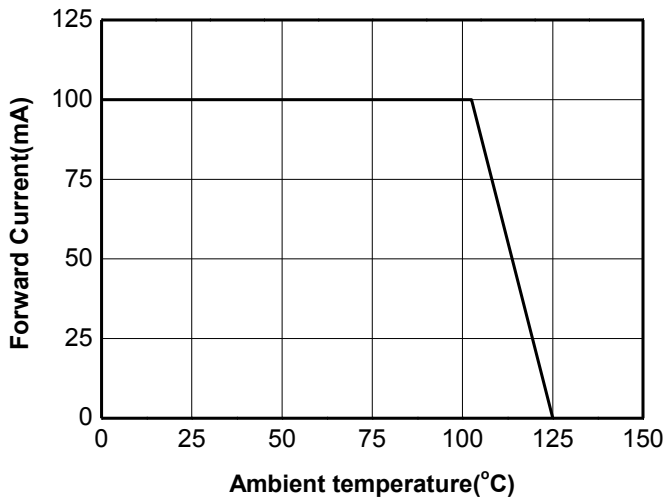
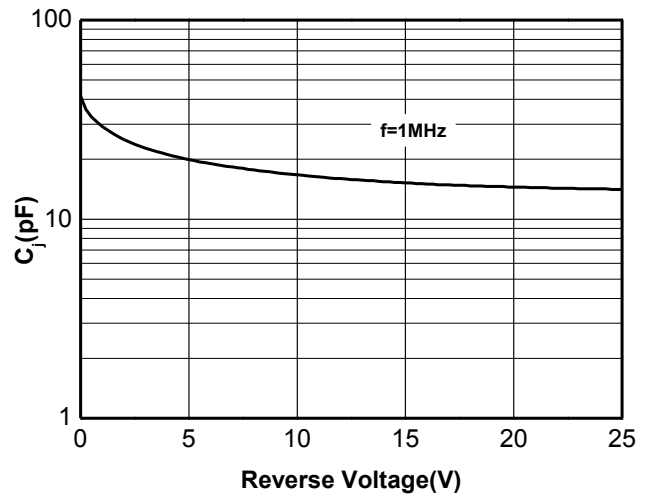
Electronics characteristics ($T_A=25^\circ\text{C}$)

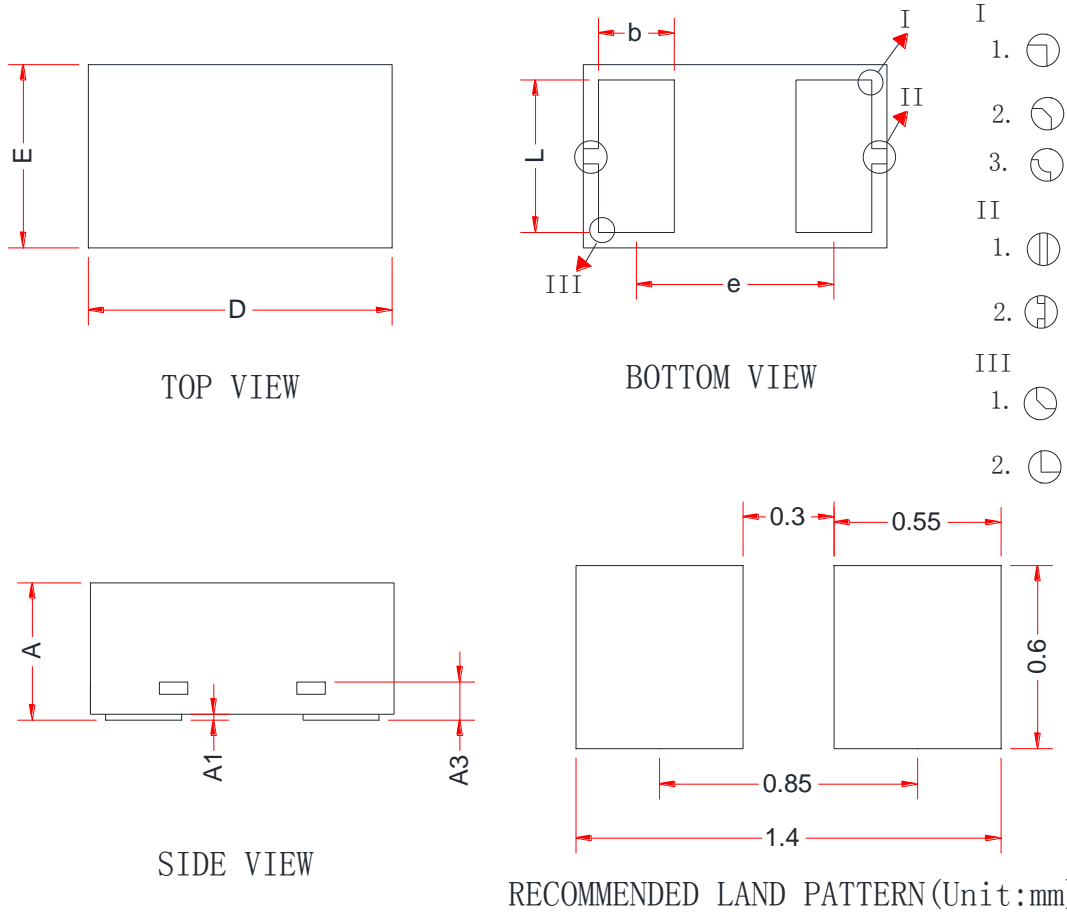
Parameter	Symbol	Condition	Min.	Typ.	Max.	Unit
Reverse Voltage	V_R	$I_R=100\mu\text{A}$	30			
Forward Voltage	V_F	$I_F=10\text{mA}$			0.35	V
		$I_F=100\text{mA}$			0.45	V
Reverse current	I_R	$V_R=10\text{V}$			15	μA
		$V_R=30\text{V}$			30	μA
Junction capacitance	C_J	$V_R=5\text{V}, F=1\text{MHz}$		21		pF
Thermal Resistance	$R_{\theta(JA)}$	Junction to Ambient			500	K/W

Order Informations

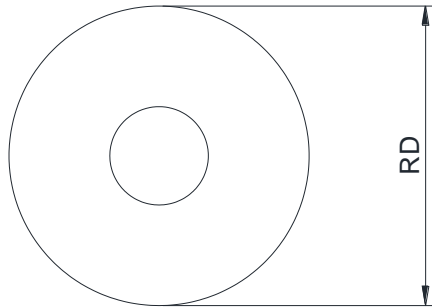
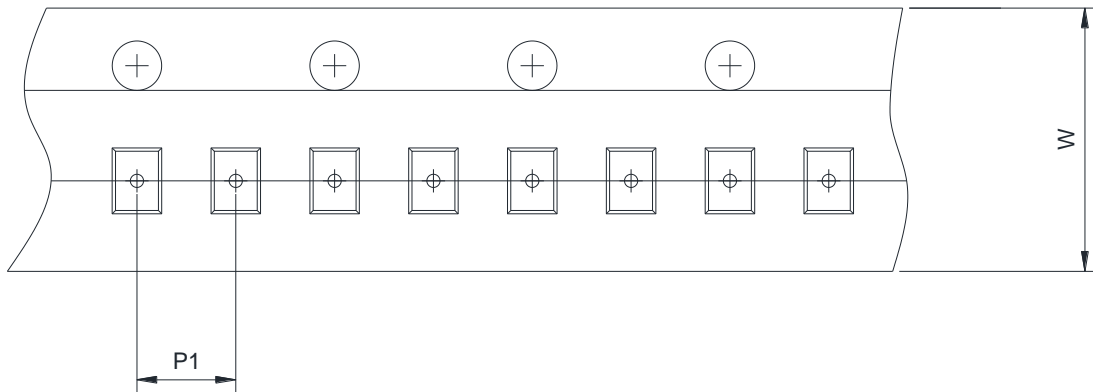
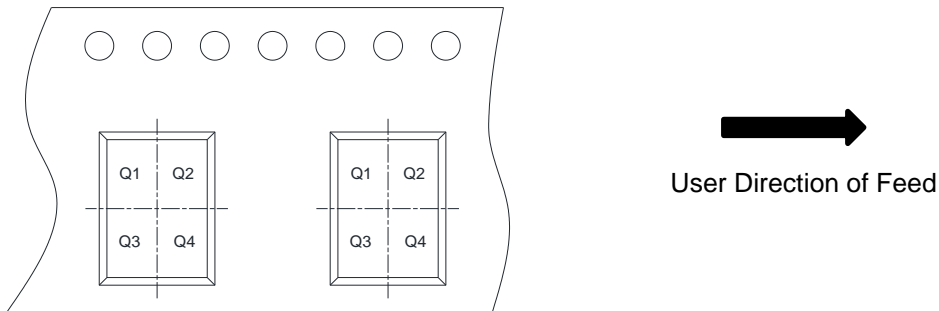
Device	Package	Marking	Shipping
WSB5558N-2/TR	DFN1006-2L	T*(1)	10000/Reel&Tape

Note 1: * = Month code(A~Z); T = Device code;

Typical characteristics (Ta=25°C, unless otherwise noted)

Forward voltage vs. Forward current

Reverse current vs. Reverse voltage

Forward current derating curve

Junction capacitance vs. Reverse voltage

PACKAGE OUTLINE DIMENSIONS
DFN1006-2L


Symbol	Dimensions in Millimeters		
	Min.	Typ.	Max.
A	0.36	0.45	0.53
A1	0.00	0.02	0.05
A3	0.125 Ref.		
D	0.95	1.00	1.05
E	0.55	0.60	0.65
b	0.20	0.25	0.30
L	0.45	0.50	0.55
e	0.65 BSC		

TAPE AND REEL INFORMATION
Reel Dimensions

Tape Dimensions

Quadrant Assignments For PIN1 Orientation In Tape


RD	Reel Dimension	<input checked="" type="checkbox"/> 7inch	<input type="checkbox"/> 13inch
W	Overall width of the carrier tape	<input checked="" type="checkbox"/> 8mm	<input type="checkbox"/> 12mm <input type="checkbox"/> 16mm
P1	Pitch between successive cavity centers	<input checked="" type="checkbox"/> 2mm	<input type="checkbox"/> 4mm <input type="checkbox"/> 8mm
Pin1	Pin1 Quadrant	<input checked="" type="checkbox"/> Q1	<input checked="" type="checkbox"/> Q2 <input type="checkbox"/> Q3 <input type="checkbox"/> Q4

X-ON Electronics

Largest Supplier of Electrical and Electronic Components

Click to view similar products for [Schottky Diodes & Rectifiers](#) category:

Click to view products by [Will Semiconductor](#) manufacturer:

Other Similar products are found below :

[MA4E2039](#) [MA4E2508M-1112](#) [MBR0530L-TP](#) [MBR10100CT-BP](#) [MBR1545CT](#) [MMBD301M3T5G](#) [RB160M-50TR](#)

[BAS16E6433HTMA1](#) [BAS 3010S-02LRH E6327](#) [BAT 54-02LRH E6327](#) [IDL02G65C5XUMA1](#) [NSR05F40QNXT5G](#) [NSVR05F40NXT5G](#)

[NTE555](#) [JANS1N6640](#) [SB07-03C-TB-H](#) [SB1003M3-TL-W](#) [SBM30-03-TR-E](#) [SBS818-TL-E](#) [SK310-T](#) [SK33A-TP](#) [SK34B-TP](#) [SS3003CH-](#)

[TL-E](#) [PDS3100Q-7](#) [GA01SHT18](#) [CRS10I30A\(TE85L,QM](#) [MA4E2501L-1290](#) [MBRA140TRPBF](#) [MBRB30H30CT-1G](#) [JANTX1N5712-1](#)

[SB007-03C-TB-E](#) [SK33B-TP](#) [SK35A-TP](#) [SK38B-LTP](#) [NTE505](#) [NTSB30U100CT-1G](#) [VS-6CWQ10FNHM3](#) [CRG04\(T5L,TEMQ\)](#)

[ACDBA1100LR-HF](#) [ACDBA1200-HF](#) [ACDBA240-HF](#) [ACDBA3100-HF](#) [CDBQC0530L-HF](#) [ACDBA260LR-HF](#) [ACDBA1100-HF](#)

[MA4E2502L-1246](#) [10BQ015-M3/5BT](#) [10BQ060-M3/5BT](#) [NRVB130LSFT1G](#) [CRS08TE85LQM](#)