

## Snubber FKP Capacitors for High Pulse Applications with Metal Foil Electrodes and Metallized Internal Series Connection. Capacitances from 0.01 $\mu\text{F}$ to 3.3 $\mu\text{F}$ . Rated Voltages from 630 VDC to 4000 VDC.

### Special Features

- High pulse duty
- Self-healing
- Particularly reliable contact-configurations: 4-pin versions and screwable plate connections
- Internal series connection
- Very low dissipation factor
- Negative capacitance change versus temperature
- According to RoHS 2011/65/EU

### Typical Applications

For high pulse and high frequency applications requiring extremely reliable contacts e.g.

- IGBT-applications

### Construction

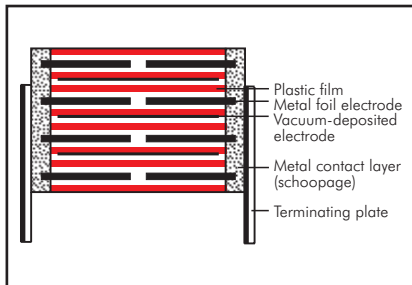
#### Dielectric:

Polypropylene (PP) film

#### Capacitor electrodes:

Aluminium foil and single-sided metallized plastic film

#### Internal construction:



#### Encapsulation:

Solvent-resistant, flame-retardant plastic case with epoxy resin seal, UL 94 V-0

#### Terminations:

Tinned wire or plates.

#### Marking:

Colour: Red. Marking: Black.

### Electrical Data

**Capacitance range:** 0.01  $\mu\text{F}$  to 3.3  $\mu\text{F}$

**Rated voltages:** 630 VDC, 1000 VDC, 1250 VDC, 1600 VDC, 2000 VDC, 3000 VDC, 4000 VDC

**Capacitance tolerances:**

$\pm 20\%$ ,  $\pm 10\%$ ,  $\pm 5\%$  (other tolerances are available subject to special enquiry)

**Operating temperature range:**

$-55^\circ\text{C}$  to  $+100^\circ\text{C}$

**Insulation resistance** at  $+20^\circ\text{C}$ :

$C \leq 0.33 \mu\text{F}$ :  $\geq 1 \times 10^5 \text{ M}\Omega$

$C > 0.33 \mu\text{F}$ :  $\geq 30\,000 \text{ sec (M}\Omega \times \mu\text{F)}$

Measuring voltage: 100 V/1 min.

**Test voltage:** 2 sec

L	$\leq 2000 \text{ VDC}$	$\geq 3000 \text{ VDC}$
$< 41.5$	$1.6 U_r$	$1.2 U_r$
41.5	$1.4 U_r$	$1.2 U_r$
56	$1.2 U_r$	$1.2 U_r$

**Climatic test category:**

55/100/56 in accordance with IEC

**Voltage derating:**

A voltage derating factor of 1.35 % per K must be applied from  $+85^\circ\text{C}$  for DC voltages and from  $+75^\circ\text{C}$  for AC voltages

**Reliability:**

Operational life  $> 300\,000$  hours

Failure rate  $< 1 \text{ fit (} 0.5 \times U_r \text{ and } 40^\circ\text{C)}$

**Specific dissipation:**

Box size* WxHxL in mm	Specific dissipation in Watts per K above the ambient temperature
19x31x56	0.068
23x34x56	0.079
27x37.5x56	0.092
33x48x56	0.122
37x54x56	0.142

\* other box sizes see page 11.

**Dissipation factors** at  $+20^\circ\text{C}$ :  $\tan \delta$

at f	$C \leq 0.1 \mu\text{F}$	$0.1 \mu\text{F} < C \leq 1.0 \mu\text{F}$	$C > 1.0 \mu\text{F}$
1 kHz	$\leq 5 \times 10^{-4}$	$\leq 5 \times 10^{-4}$	$\leq 5 \times 10^{-4}$
10 kHz	$\leq 6 \times 10^{-4}$	$\leq 6 \times 10^{-4}$	–
100 kHz	$\leq 10 \times 10^{-4}$	–	–

**Maximum pulse rise time:**

Capacitance $\mu\text{F}$	max. pulse rise time V/ $\mu\text{sec}$ at $T_A < 40^\circ\text{C}$						
	630VDC	1000VDC	1250VDC	1600VDC	2000VDC	3000VDC	4000VDC
0.01 ... 0.022	–	11000	11000	11000	11000	11000	11000
0.033 ... 0.068	9000	9000	9000	9000	9000	9000	9000
0.1 ... 0.22	9000	9000	9000	9000	9000	9000	9000
0.33 ... 0.68	5000	5000	5000	5000	5000	5000	5000
1.0 ... 3.3	1600	2000	2000	2000	–	–	–

for pulses equal to the rated voltage

### Mounting Recommendation

Excessive mechanical strain, e.g. pressure or shock onto the capacitor body, is to be avoided during mounting and usage of the capacitors. When fixing the plates the screw torque is to be limited to max. 5 Nm.

For further details and graphs please refer to Technical Information.

### Packing

Packing units at the end of the catalogue.

Packing quantities may vary depending on the plate version.

## Continuation

### General Data

Capacitance	630 VDC/400 VAC*				1000 VDC/600 VAC*			
	W	H	L	Part number	W	H	L	Part number
0.022 $\mu\text{F}$					11	22	41.5	SNFPO122207B_____
0.033 "					11	22	41.5	SNFPO123307B_____
0.047 "	11	22	41.5	SNFPJ024707B_____	11	22	41.5	SNFPO124707B_____
0.068 "	11	22	41.5	SNFPJ026807B_____	11	22	41.5	SNFPO126807B_____
0.1 $\mu\text{F}$	11	22	41.5	SNFPJ031007B_____	11	22	41.5	SNFPO131007B_____
0.15 "	11	22	41.5	SNFPJ031507B_____	15	26	41.5	SNFPO131507D_____
0.22 "	13	24	41.5	SNFPJ032207C_____	17	29	41.5	SNFPO132207E_____
0.33 "	15	26	41.5	SNFPJ033307D_____	19	32	41.5	SNFPO133307F_____
0.47 "	17	29	41.5	SNFPJ034707E_____	20	39.5	41.5	SNFPO134707G_____
0.68 "	19	32	41.5	SNFPJ036807F_____	24	45.5	41.5	SNFPO136807H_____
					23	34	56	SNFPO136808E_____
1.0 $\mu\text{F}$	20	39.5	41.5	SNFPJ041007G_____	31	46	41.5	SNFPO141007L_____
					27	37.5	56	SNFPO141008H_____
1.5 "	24	45.5	41.5	SNFPJ041507H_____	35	50	41.5	SNFPO141507J_____
					33	48	56	SNFPO141508J_____
2.2 "	31	46	41.5	SNFPJ042207I_____	37	54	56	SNFPO142208L_____
	27	37.5	56	SNFPJ042208H_____				
2.5 "	35	50	41.5	SNFPJ042507J_____				
	33	48	56	SNFPJ042508J_____				
3.0 "	37	54	56	SNFPJ043008L_____				
3.3 "	37	54	56	SNFPJ043308L_____				

Capacitance	1250 VDC/600 VAC*				1600 VDC/650 VAC*			
	W	H	L	Part number	W	H	L	Part number
0.01 $\mu\text{F}$					11	22	41.5	SNFPT021007B_____
0.015 "					11	22	41.5	SNFPT021507B_____
0.022 "	11	22	41.5	SNFPR022207B_____	11	22	41.5	SNFPT022207B_____
0.033 "	11	22	41.5	SNFPR023307B_____	11	22	41.5	SNFPT023307B_____
0.047 "	11	22	41.5	SNFPR024707B_____	11	22	41.5	SNFPT024707B_____
0.068 "	11	22	41.5	SNFPR026807B_____	15	26	41.5	SNFPT026807D_____
0.1 $\mu\text{F}$	11	22	41.5	SNFPR031007B_____	17	29	41.5	SNFPT031007E_____
0.15 "	15	26	41.5	SNFPR031507D_____	19	32	41.5	SNFPT031507F_____
0.22 "	17	29	41.5	SNFPR032207E_____	20	39.5	41.5	SNFPT032207G_____
0.33 "	19	32	41.5	SNFPR033307F_____	24	45.5	41.5	SNFPT033307H_____
0.47 "	20	39.5	41.5	SNFPR034707G_____	31	46	41.5	SNFPT034707I_____
					27	37.5	56	SNFPT034708H_____
0.68 "	24	45.5	41.5	SNFPR036807H_____	35	50	41.5	SNFPT036807J_____
	23	34	56	SNFPR036808E_____	27	37.5	56	SNFPT036808H_____
1.0 $\mu\text{F}$	31	46	41.5	SNFPR041007I_____	33	48	56	SNFPT041008J_____
	27	37.5	56	SNFPR041008H_____				
1.5 "	33	48	56	SNFPR041508J_____				

\* AC voltages:  $f \leq 1000 \text{ Hz}$ ;  $1.4 \times U_{\text{rms}} + \text{UDC} \leq U_r$

Dims. in mm.

Ionisation inception level in isolated cases may be lower than admissible rated AC voltage.

Versions and dimensional drawings see page 111.

Rights reserved to amend design data without prior notification.

Part number completion:

Version codes see page 113.

Tolerance: 20 % = M

10 % = K

5 % = J

Packing: bulk = S

Pin length: 6-2 = SD

none = 00 (for plate versions)

Continuation page 110

## Continuation

### General Data

Capacitance	2000 VDC/700 VAC*				3000 VDC/700 VAC*				4000 VDC/700 VAC*			
	W	H	L	Part number	W	H	L	Part number	W	H	L	Part number
0.01 $\mu\text{F}$	11	22	41.5	SNFPU021007B	11	22	41.5	SNFPW021007B	11	22	41.5	SNFPX021007B
0.015 "	11	22	41.5	SNFPU021507B	11	22	41.5	SNFPW021507B	11	22	41.5	SNFPX021507B
0.022 "	11	22	41.5	SNFPU022207B	11	22	41.5	SNFPW022207B	13	24	41.5	SNFPX022207C
0.033 "	13	24	41.5	SNFPU023307C	13	24	41.5	SNFPW023307C	15	26	41.5	SNFPX023307D
0.047 "	15	26	41.5	SNFPU024707D	15	26	41.5	SNFPW024707D	17	29	41.5	SNFPX024707E
0.068 "	17	29	41.5	SNFPU026807E	17	29	41.5	SNFPW026807E	19	32	41.5	SNFPX026807F
0.1 $\mu\text{F}$	17	29	41.5	SNFPU031007E	19	32	41.5	SNFPW031007F	20	39.5	41.5	SNFPX031007G
0.15 "	20	39.5	41.5	SNFPU031507G	20	39.5	41.5	SNFPW031507G	24	45.5	41.5	SNFPX031507H
0.22 "	24	45.5	41.5	SNFPU032207H	24	45.5	41.5	SNFPW032207H	31	46	41.5	SNFPX032207I
0.33 "	31	46	41.5	SNFPU033307I	31	46	41.5	SNFPW033307I	27	37.5	56	SNFPX032208H
	27	37.5	56	SNFPU033308H	27	37.5	56	SNFPW033308H	33	48	56	SNFPX033308J
0.47 "	31	46	41.5	SNFPU034707I	33	48	56	SNFPW034708J				
	27	37.5	56	SNFPU034708H								
0.68 "	33	48	56	SNFPU036808J								

\* AC voltages:  $f \leq 1000 \text{ Hz}$ ;  $1.4 \times U_{\text{rms}} + \text{UDC} \leq U_r$

Dims. in mm.

Ionisation inception level in isolated cases may be lower than admissible rated AC voltage.

Versions and dimensional drawings see page 111.

Part number completion:

Version codes see page 113.

Tolerance: 20 % = M

10 % = K

5 % = J

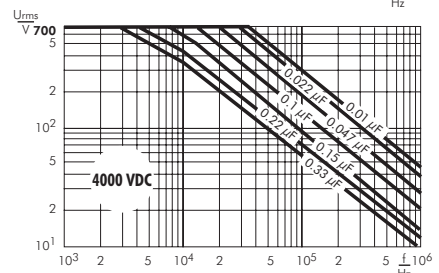
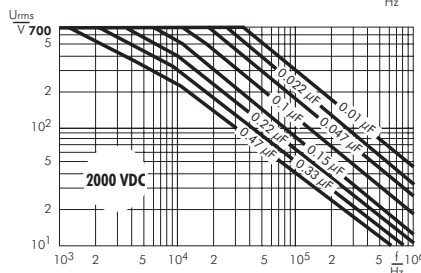
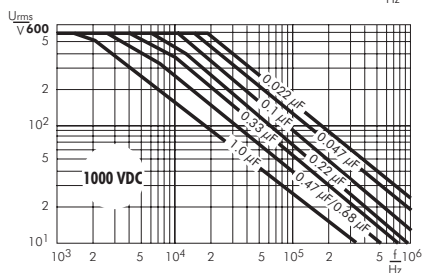
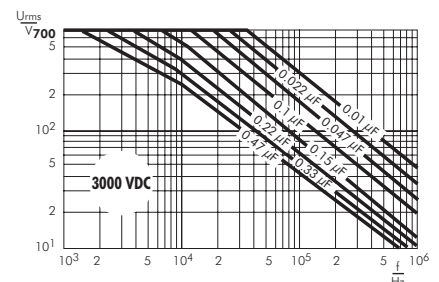
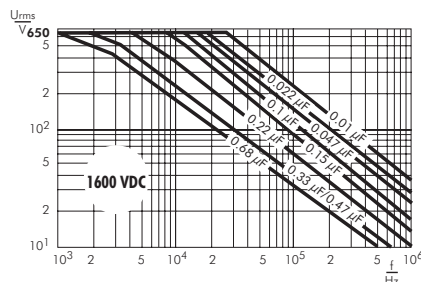
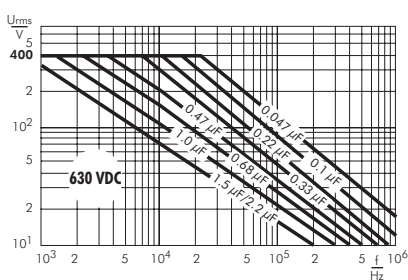
Packing: bulk = S

Pin length: 6-2 = SD

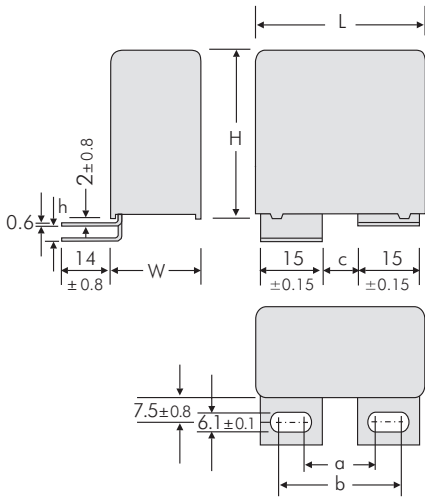
none = 00 (for plate versions)

Rights reserved to amend design data without prior notification.

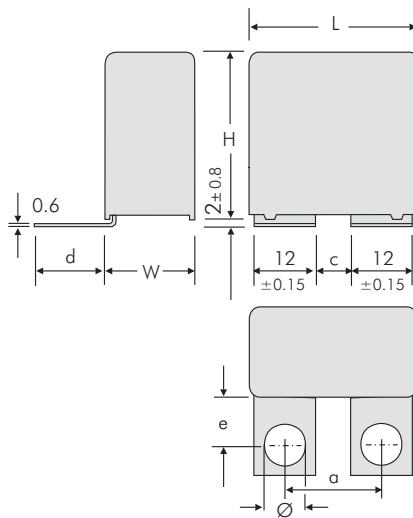
Permissible AC voltage in relation to frequency at 10° C internal temperature rise (general guide).



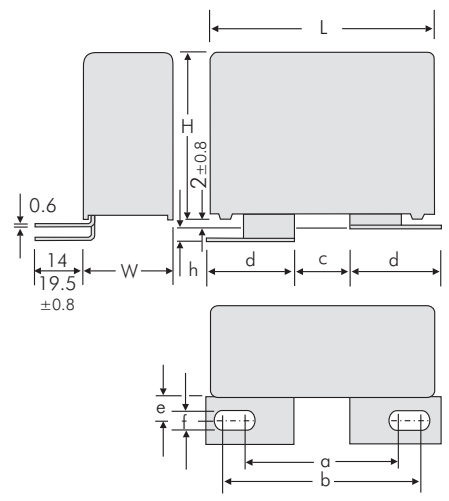
# Versions of WIMA Snubber- and DC-LINK MKP 4- Capacitors



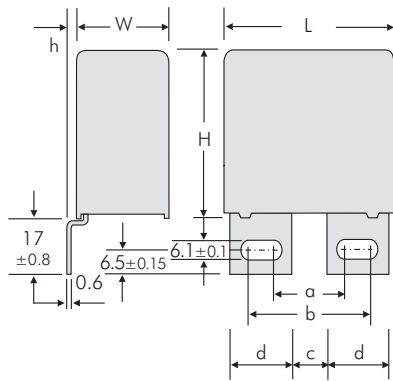
Version	L	a ±0.5	b ±0.5	c ±0.5	h ±0.8
<b>A1</b>	41.5	17.5	28	7.5	0
<b>A1.5</b>	41.5	17.5	28	7.5	3.5
<b>A1</b>	56	20	30	10	0
<b>A1.1.1</b>	56	28	38	18	0
<b>A1.4.1</b>	56	28	38	18	3.5



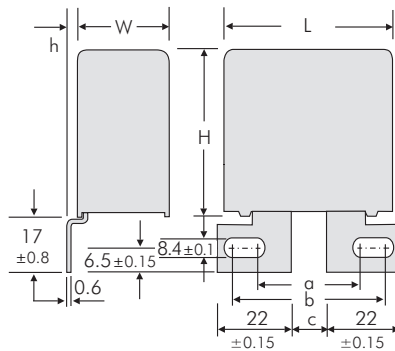
Version	L	a ±0.5	c ±0.5	d ±0.8	e ±0.8	Ø ±0.1
<b>A1.6</b>	41.5	18	6	21.5	16	7
<b>A1.6.1</b>	41.5	22	10	18.5	13	7
<b>A1.6.2</b>	41.5	23	10	18.5	13	8
<b>A1.6</b>	56	29	17	21.5	16	7



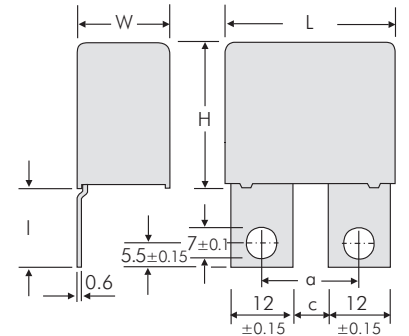
Version	L	a ±0.5	b ±0.5	c ±0.5	d ±0.15	e ±0.8	f ±0.1	h ±0.8
<b>A2</b>	41.5	36	46.5	14.5	22	7.5	8.4	0
<b>A2.4.1</b>	41.5	33.5	39.5	7.5	22	13	8.4	0
<b>A2.6.1</b>	41.5	31.5	41.5	14	22	13	6.1	3.5
<b>A2.6.2</b>	41.5	31.5	41.5	14	22	13	6.1	0
<b>A2.8</b>	41.5	36	46.5	14.5	22	7.5	8.4	3.5
<b>A2.1</b>	56	39.5	45.5	13.5	22	7.5	8.4	0
<b>A2.1.2</b>	56	36	45.5	14.5	21.5	7.5	8.4	0



Version	L	a ±0.5	b ±0.5	c ±0.5	d ±0.15	h ±0.8
<b>A3</b>	41.5	17.5	27.5	7.5	15	0
<b>A3.5</b>	41.5	17.5	27.5	7.5	15	3
<b>A3.12</b>	41.5	17.5	30	7.5	16.5	0
<b>A3</b>	56	20	30	10	15	0
<b>A3.1</b>	56	28	38	18	15	0
<b>A3.5</b>	56	20	30	10	15	3
<b>A3.10</b>	56	28	38	18	15	3



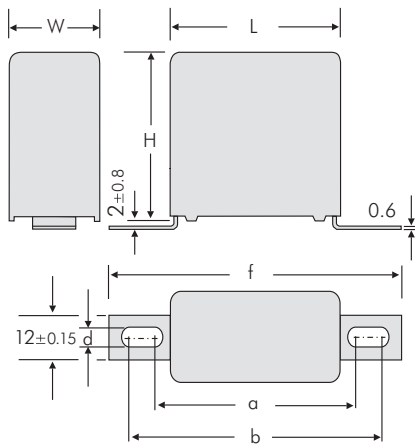
Version	L	a ±0.5	b ±0.5	c ±0.5	h ±0.8
<b>A3.9</b>	41.5	36	46.5	14.5	0
<b>A3.11</b>	41.5	36	46.5	14.5	3
<b>A3.2</b>	56	36	46.5	14.5	0
<b>A3.3</b>	56	36	46.5	14.5	3



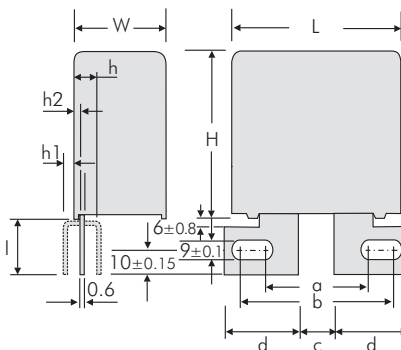
Version	L	a ±0.5	c ±0.5	l ±0.8
<b>A3.8</b>	41.5 W ≥ 17	18	6	23
<b>A3.8.1</b>	41.5 W ≥ 17	22	10	17.5
<b>A3.8.2</b>	41.5 W ≥ 17	22	10	23



# Versions of WIMA Snubber- and DC-LINK MKP 4- Capacitors

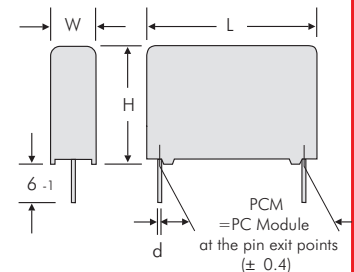


Version	L	a ±0.8	b ±0.8	f ±0.8	d ±0.1
<b>A4.9</b>	31.5 W ≥ 15	44	47	57	4.5
<b>A4.10</b>	31.5 W ≥ 15	43	59	69	6.1
<b>A4.2</b>	41.5 W ≥ 15	54	57	67	4.5
<b>A4</b>	41.5 W ≥ 15	53	69	79	6.1
<b>A4.7</b>	56	65	68	78	4.5
<b>A4</b>	56	64	80	90	6.1



Version	W	a ±0.5	b ±0.5	c ±0.5	d ±0.15	h ±0.8	h1 ±0.8	h2 ±0.8	l ±0.8
<b>A6</b>	≥23	41.5	45.5	15.5	24.15	7	-	-	26
<b>A6.3</b>	≥19	35	39	18	19	-	5	3	25
<b>A6.4</b>	≥23	42.8	44.8	21	21.5	-	-	6.4	26

2-pin version

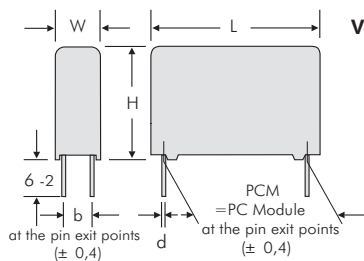


PCM	d
28.5*	0.8
38.5*	1.2
49.5*	1.2

\*apply only to Snubber

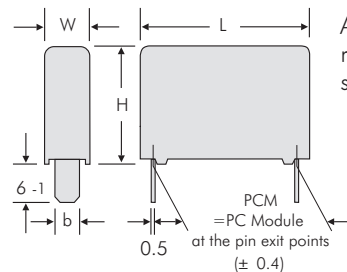
Dims. in mm

4-pin version



W	H	L	PCM	b	d
11	21	31.5	27.5	5	0.8
13	24	31.5	27.5	7.5	0.8
15	26	31.5	27.5	7.5	0.8
17	29	31.5	27.5	10	0.8
19	30	31.5	27.5	10	0.8
17	34.5	31.5	27.5	10	0.8
20	39.5	31.5	27.5	12.5	0.8
22	43.5	31.5	27.5	12.5	0.8
11	22	41.5	37.5	5	1
13	24	41.5	37.5	7.5	1
15	26	41.5	37.5	7.5	1
17	29	41.5	37.5	10	1
19	32	41.5	37.5	10	1
20	39.5	41.5	37.5	12.5	1
24	45.5	41.5	37.5	12.5	1
31	46	41.5	37.5	20	1
35	50	41.5	37.5	20	1
40	55	41.5	37.5	20	1
19	31	56	48.5	12.5	1
23	34	56	48.5	15	1
27	37.5	56	48.5	15	1
33	48	56	48.5	20	1
37	54	56	48.5	20	1

Version B



L	PCM	b ±0.15
31.5	28.5	8
41.5	38.5	8
56	49.5	8

Additional special versions can be realized. Please contact us with your specific needs.

# Versions of WIMA Snubber- and DC-LINK MKP 4- Capacitors



Version code		D2	D4	B8	1A	1B	1G	1H	1I	1J	1S	2A	2B	2Q	2F	2J	2K	2M	3A	3C	3D	3E	3G	3K	3L	3M	3N	3O	3P	3Q	4A	4C	4J	4L	4M	6A	6B	6C					
W x H x L	Size code	2-pin	4-pin	B8	A1	A1.1.1	A1.4.1	A1.5	A1.6	A1.6.1	A1.6.2	A2	A2.1	A2.1.2	A2.4.1	A2.6.1	A2.6.2	A2.8	A3	A3.1	A3.2	A3.3	A3.5	A3.8	A3.8.1	A3.8.2	A3.9	A3.10	A3.11	A3.12	A4	A4.2	A4.7	A4.9	A4.10	A6	A6.3	A6.4					
		11 x 21 x 31.5	<b>6B</b>																																								
13 x 24 x 31.5	<b>6D</b>																																										
15 x 26 x 31.5	<b>6F</b>																																										
17 x 29 x 31.5	<b>6G</b>																																										
17 x 34.5 x 31.5	<b>6I</b>																																										
11 x 22 x 41.5	<b>7B</b>																																										
13 x 24 x 41.5	<b>7C</b>																																										
15 x 26 x 41.5	<b>7D</b>																																										
17 x 29 x 41.5	<b>7E</b>																																										
19 x 32 x 41.5	<b>7F</b>																																										
20 x 39.5 x 41.5	<b>7G</b>																																										
24 x 45.5 x 41.5	<b>7H</b>																																										
31 x 46 x 41.5	<b>7I</b>																																										
35 x 50 x 41.5	<b>7J</b>																																										
40 x 55 x 41.5	<b>7K</b>																																										
19 x 31 x 56	<b>8D</b>																																										
23 x 34 x 56	<b>8E</b>																																										
27 x 37.5 x 56	<b>8H</b>																																										
33 x 48 x 56	<b>8J</b>																																										
37 x 54 x 56	<b>8L</b>																																										

Possible connecting respective plate versions - depending on box size.

■ 4-pin versions on request.

## Recommendation for Processing and Application of Through-Hole Capacitors

### Soldering Process

Internal temperature of the capacitor must be kept as follows:

Polyester: preheating:  $T_{max.} \leq 125^{\circ}C$   
soldering:  $T_{max.} \leq 135^{\circ}C$

Polypropylene: preheating:  $T_{max.} \leq 100^{\circ}C$   
soldering:  $T_{max.} \leq 110^{\circ}C$

### Single wave soldering

Soldering bath temperature:  $T < 260^{\circ}C$

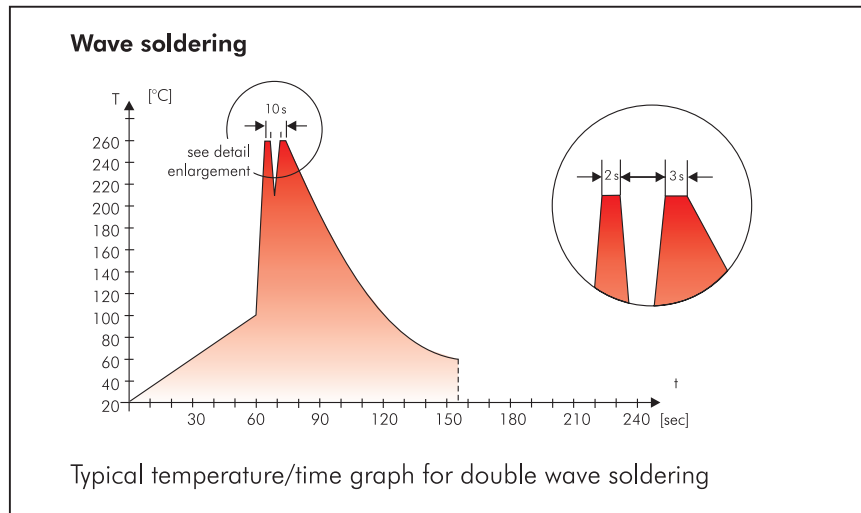
Dwell time:  $t < 5 \text{ sec}$

### Double wave soldering

Soldering bath temperature:  $T < 260^{\circ}C$

Dwell time:  $\Sigma t < 5 \text{ sec}$

Due to different soldering processes and heat requirements the graphs are to be regarded as a recommendation only.



## WIMA Quality and Environmental Philosophy

### ISO 9001:2015 Certification

ISO 9001:2015 is an international basic standard of quality assurance systems for all branches of industry. The approval according to ISO 9001:2015 of our factories by the infaz (Institut für Auditierung und Zertifizierung) certifies that organisation, equipment and monitoring of quality assurance in our factories correspond to internationally recognized standards.

### WIMA WPCS

The WIMA Process Control System (WPCS) is a quality surveillance and optimization system developed by WIMA. WPCS is a major part of the quality-oriented WIMA production. Points of application during production process:

- incoming material inspection
- metallization
- film inspection
- schoopage
- pre-healing
- pin attachment
- cast resin preparation/encapsulation
- 100% final inspection
- Testing as per customer requirements

### WIMA Environmental Policy

All WIMA capacitors, irrespective of whether through-hole devices or SMD, are made of environmentally friendly materials. Neither during manufacture nor in the product itself any toxic substances are used, e.g.

- Lead
- PCB
- CFC
- Hydrocarbon chloride
- Chromium 6+
- PBB/PBDE
- Arsenic
- Cadmium
- Mercury
- etc.

We merely use pure, recyclable materials for packing our components, such as:

- carton
- cardboard
- adhesive tape made of paper
- polystyrene

We almost completely refrain from using packing materials such as:

- adhesive tapes made of plastic
- metal clips

### RoHS Compliance

According to the RoHS Directive 2011/65/EU as amended from time to time certain hazardous substances like e.g. lead, cadmium, mercury must not be used any longer in electronic equipment as of July 1st, 2006. For the sake of the environment WIMA has refrained from using such substances since years already.



WIMA Kondensatoren sind bleifrei konform RoHS 2011/65/EU

WIMA capacitors are lead free in accordance with RoHS 2011/65/EU

Tape for lead-free WIMA capacitors

### DIN EN ISO 14001:2004

WIMA's environmental management has been established in accordance with the guidelines of DIN EN ISO 14001:2004 to optimize the production processes with regard to energy and resources.

# Typical Dimensions for Taping Configuration

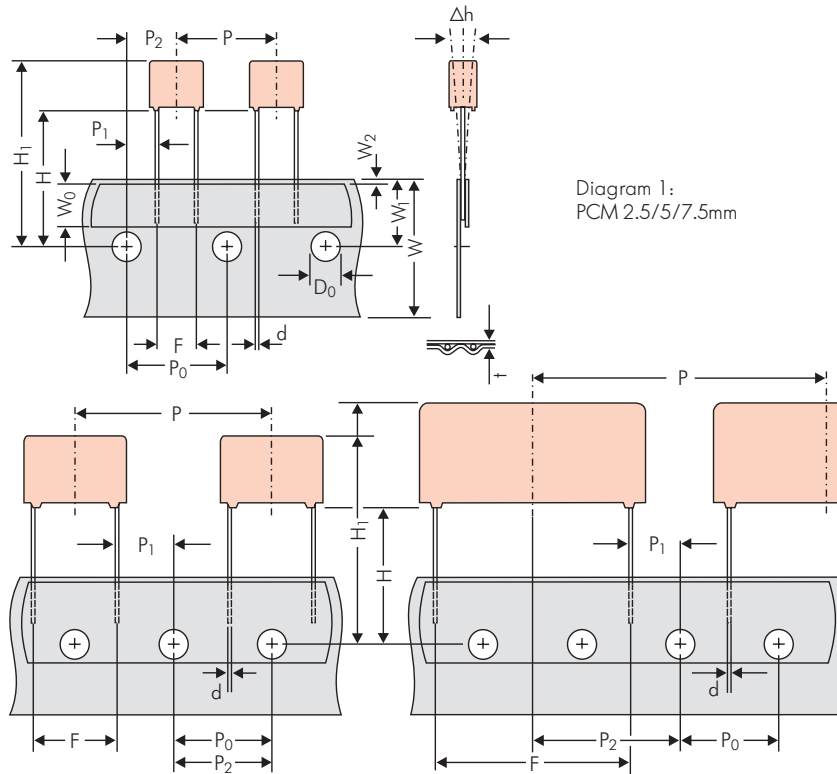


Diagram 1:  
PCM 2.5/5/7.5mm

Diagram 2: PCM 10/15 mm

Diagram 3: PCM 22.5 and 27.5\*mm

\*PCM 27.5 taping possible with two feed holes between components

Designation	Symbol	Dimensions for Radial Taping						
		PCM 2.5 taping	PCM 5 taping	PCM 7.5 taping	PCM 10 taping*	PCM 15 taping*	PCM 22.5 taping	PCM 27.5 taping
Carrier tape width	W	18.0 ±0.5	18.0 ±0.5	18.0 ±0.5	18.0 ±0.5	18.0 ±0.5	18.0 ±0.5	18.0 ±0.5
Hold-down tape width	W <sub>0</sub>	6.0 for hot-sealing adhesive tape	6.0 for hot-sealing adhesive tape	12.0 for hot-sealing adhesive tape	12.0 for hot-sealing adhesive tape	12.0 for hot-sealing adhesive tape	12.0 for hot-sealing adhesive tape	12.0 for hot-sealing adhesive tape
Hole position	W <sub>1</sub>	9.0 ±0.5	9.0 ±0.5	9.0 ±0.5	9.0 ±0.5	9.0 ±0.5	9.0 ±0.5	9.0 ±0.5
Hold-down tape position	W <sub>2</sub>	0.5 to 3.0 max.	0.5 to 3.0 max.	0.5 to 3.0 max.	0.5 to 3.0 max.	0.5 to 3.0 max.	0.5 to 3.0 max.	0.5 to 3.0 max.
Feed hole diameter	D <sub>0</sub>	4.0 ±0.2	4.0 ±0.2	4.0 ±0.2	4.0 ±0.2	4.0 ±0.2	4.0 ±0.2	4.0 ±0.2
Pitch of component	P	12.7 ±1.0	12.7 ±1.0	12.7 ±1.0	25.4 ±1.0	25.4 ±1.0	38.1 ±1.5	38.1 ±1.5 or 50.8 ±1.5
Feed hole pitch	P <sub>0</sub>	12.7 ±0.3 cumulative pitch error max. 1.0 mm/20 pitch	12.7 ±0.3 cumulative pitch error max. 1.0 mm/20 pitch	12.7 ±0.3 cumulative pitch error max. 1.0 mm/20 pitch	12.7 ±0.3 cumulative pitch error max. 1.0 mm/20 pitch	12.7 ±0.3 cumulative pitch error max. 1.0 mm/20 pitch	12.7 ±0.3 cumulative pitch error max. 1.0 mm/20 pitch	12.7 ±0.3 cumulative pitch error max. 1.0 mm/20 pitch
Feed hole centre to pin	P <sub>1</sub>	5.1 ±0.5	3.85 ±0.7	2.6 ±0.7	7.7 ±0.7	5.2 ±0.7	7.8 ±0.7	5.3 ±0.7
Hole centre to component centre	P <sub>2</sub>	6.35 ±1.3	6.35 ±1.3	6.35 ±1.3	12.7 ±1.3	12.7 ±1.3	19.05 ±1.3	19.05 ±1.3
Feed hole centre to bottom edge of the component	H	16.5 ±0.3 18.5 ±0.5	16.5 ±0.3 18.5 ±0.5	16.5 ±0.5 18.5 ±0.5	16.5 ±0.5 18.5 ±0.5	16.5 ±0.5 18.5 ±0.5	16.5 ±0.5 18.5 ±0.5	16.5 ±0.5 18.5 ±0.5
Feed hole centre to top edge of the component	H <sub>1</sub>	H+H <sub>component</sub> < H <sub>1</sub> 32.25 max.	H+H <sub>component</sub> < H <sub>1</sub> 32.25 max.	H+H <sub>component</sub> < H <sub>1</sub> 24.5 to 31.5	H+H <sub>component</sub> < H <sub>1</sub> 25.0 to 31.5	H+H <sub>component</sub> < H <sub>1</sub> 26.0 to 37.0	H+H <sub>component</sub> < H <sub>1</sub> 30.0 to 43.0	H+H <sub>component</sub> < H <sub>1</sub> 35.0 to 45.0
Pin spacing at upper edge of carrier tape	F	2.5 ±0.5	5.0 <sup>+0.8</sup> <sub>-0.2</sub>	7.5 ±0.8	10.0 ±0.8	15 ±0.8	22.5 ±0.8	27.5 ±0.8
Pin diameter	d	0.4 ±0.05	0.5 ±0.05	0.5 ±0.05 or 0.6 <sup>+0.06</sup> <sub>-0.05</sub>	0.5 ±0.05 or 0.6 <sup>+0.06</sup> <sub>-0.05</sub>	0.8 <sup>+0.08</sup> <sub>-0.05</sub>	0.8 <sup>+0.08</sup> <sub>-0.05</sub>	0.8 <sup>+0.08</sup> <sub>-0.05</sub>
Component alignment	Δh	± 2.0 max.	± 2.0 max.	± 3.0 max.	± 3.0 max.	± 3.0 max.	± 3.0 max.	± 3.0 max.
Total tape thickness	t	0.6 ±0.2	0.6 ±0.2	0.6 ±0.2	0.6 ±0.2	0.6 ±0.2	0.6 ±0.2	0.6 ±0.2
Package (see also page 150)	ROLL/AMMO			AMMO				
	REEL	φ 360 max. φ 30 ±1	B 52 ±2 B 58 ±2 } depending on comp. dimensions	REEL φ 360 max. φ 30 ±1	B 52 ±2 B 58 ±2 or B 66 ±2	REEL φ 500 max. φ 25 ±1	B 54 ±2 B 60 ±2 B 68 ±2 } depending on PCM and component dimensions	
Unit	see details page 151.							

Dims in mm.

\* Diameter of pins see General Data.

\* PCM 10 and PCM 15 can be crimped to PCM 7.5.

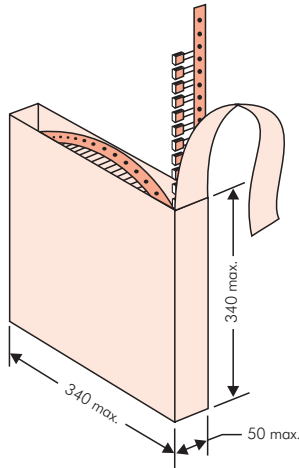
Position of components according to PCM 7.5 (sketch 11). P<sub>0</sub> = 12.7 or 15.0 is possible

Please clarify customer-specific deviations with the manufacturer.

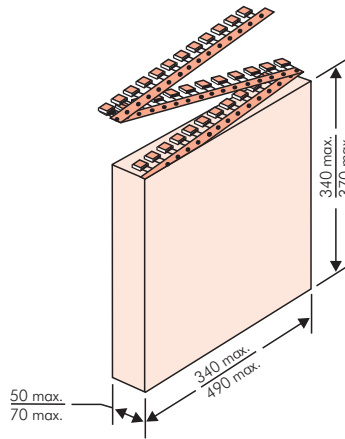


## Types of Tape Packaging of Capacitors for Automatic Radial Insertion

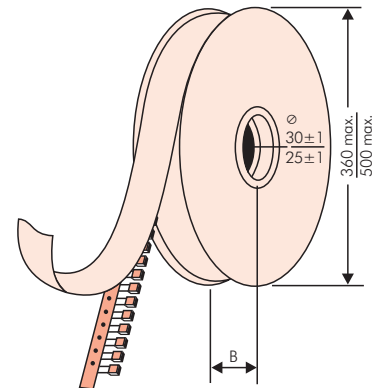
### ■ ROLL Packaging



### ■ AMMO Packaging



### ■ REEL Packaging



## BAR CODE (Labelling)

Labelling of package units in plain text and with alphanumerical Bar Code

Scanner decoding of

- WIMA supplier number
- Customer's P/O number
- Customer's part number
- WIMA confirmation number
- WIMA part number
- Lot number
- Date code
- Quantity

In addition part description of

- article
- capacitance value
- rated voltage
- dimensions
- capacitance tolerance
- packing

as well as gross weight and customer's name are indicated in plain text.

<b>WIMA</b> Best Capacitors Made In Germany		Werk Unna
Supplier-ID: 123456789	<b>RoHS</b> 2011/65/EU	Date Code: 08.10.10
Purchase Order No. (P/O): Bestellung xyz		Quantity: 5.000
Customer Part No.: KUNDETEILENUMMER		Customer No.: 0000100002
		Gross Weight [g]: 1870
WIMA Confirmation No.: 0001004053000100	WIMA Part No.: MKS2C034701C00K8SD	
Handling Unit: <b>MKS 2</b>	<b>QTY: 5.000</b>	<b>COO: DE</b>
	<b>MKS 2 0.47 µF 63 VDC 3.5x8.5x7.2 RM5</b>	
<b>1000067326</b>	Standard 10% Loss - Standard	Dichte 6-2
	Vorlage Debitor Inland	Week 03/2011

BARCODE „Code 39“

# Packing Quantities for Capacitors with Radial Pins in PCM 2.5 mm to 22.5 mm



PCM	Size				bulk	pcs. per packing unit								
						ROLL		REEL				AMMO		
	W	H	L	Codes		S	H16.5	H18.5	ø 360	ø 500	340 x 340	490 x 370		
					N	O	F	I	H	J	A	C	B	D
<b>2.5 mm</b>	2.5	7	4.6	<b>0B</b>	5000		2200	2500				2800		
	3	7.5	4.6	<b>0C</b>	5000		2000	2300				2300		
	3.8	8.5	4.6	<b>0D</b>	5000		1500	1800				1800		
	4.6	9	4.6	<b>0E</b>	5000		1200	1500				1500		
	5.5	10	4.6	<b>0F</b>	5000		900	1200				1200		
<b>5 mm</b>	2.5	6.5	7.2	<b>1A</b>	5000		2200	2500				2800		
	3	7.5	7.2	<b>1B</b>	5000		2000	2300				2300		
	3.5	8.5	7.2	<b>1C</b>	5000		1600	2000				2000		
	4.5	6	7.2	<b>1D</b>	6000		1300	1500				1500		
	4.5	9.5	7.2	<b>1E</b>	4000		1300	1500				1500		
	5	10	7.2	<b>1F</b>	3500		1100	1400				1400		
	5.5	7	7.2	<b>1G</b>	4000		1000	1200				1200		
	5.5	11.5	7.2	<b>1H</b>	2500		1000	1200				1200		
	6.5	8	7.2	<b>1I</b>	2500		800	1000				1000		
	7.2	8.5	7.2	<b>1J</b>	2500		700	1000				1000		
	7.2	13	7.2	<b>1K</b>	2000		700	950				1000		
	8.5	10	7.2	<b>1L</b>	2000		600	800				800		
8.5	14	7.2	<b>1M</b>	1500		600	800				800			
11	16	7.2	<b>1N</b>	1000		500	600				640			
<b>7.5 mm</b>	2.5	7	10	<b>2A</b>	5000			2500	4400			2500		
	3	8.5	10	<b>2B</b>	5000			2200	4300			2300	4150	
	4	9	10	<b>2C</b>	4000			1700	3200			1700	3100	
	4.5	9.5	10.3	<b>2D</b>	3500			1500	2900			1400	2700	
	5	10.5	10.3	<b>2E</b>	3000			1300	2500			1300		
	5.7	12.5	10.3	<b>2F</b>	2000			1000	2200			1100		
	7.2	12.5	10.3	<b>2G</b>	1500			900	1800			1000		
<b>10 mm</b>	3	9	13	<b>3A</b>	3000			1100	2200					1900
	4	8.5	13.5	<b>FA</b>	3000			900	1600					1450
	4	9	13	<b>3C</b>	3000			900	1600					1450
	4	9.5	13	<b>3D</b>	3000			900	1600					1400
	5	10	13.5	<b>FB</b>	2000			700	1300					1200
	5	11	13	<b>3F</b>	3000			700	1300					1200
	6	12	13	<b>3G</b>	2400			550	1100					1000
	6	12.5	13	<b>3H</b>	2400			550	1100					1000
8	12	13	<b>3I</b>	2000			400	800					740	
<b>15 mm</b>	5	11	18	<b>4B</b>	2400			600	1200					1150
	5	13	19	<b>FC</b>	1000			600	1200					1200
	6	12.5	18	<b>4C</b>	2000			500	1000					1000
	6	14	19	<b>FD</b>	1000			500	1000					1000
	7	14	18	<b>4D</b>	1600			450	900					850
	7	15	19	<b>FE</b>	1000			450	900					850
	8	15	18	<b>4F</b>	1200			400	800					740
	8	17	19	<b>FF</b>	500			400	800					740
	9	14	18	<b>4H</b>	1200			350	700					650
	9	16	18	<b>4J</b>	900			350	700					650
10	18	19	<b>FG</b>	500			300	650					590	
11	14	18	<b>4M</b>	1000			300	600					540	
<b>22.5 mm</b>	5	14	26.5	<b>5A</b>	1200				800					770
	6	15	26.5	<b>5B</b>	1000				700					640
	7	16.5	26.5	<b>5D</b>	760				600					550
	8	20	28	<b>FH</b>	500				500					480
	8.5	18.5	26.5	<b>5F</b>	500				480					450
	10	22	28	<b>FI</b>	570*				420					380
	10.5	19	26.5	<b>5G</b>	594*				400					360
	10.5	20.5	26.5	<b>5H</b>	594*				400					360
	11	21	26.5	<b>5I</b>	561*				380					350
	12	24	28	<b>FJ</b>	480*				350					310

\* TPS (Tray-Packing-System). Plate versions may have different packing units. Samples and pre-production needs on request.

■ Moulded versions.

Rights reserved to amend design data without prior notification.



## Packing Quantities for Capacitors with Radial Pins in PCM 27.5 mm to 52.5 mm

PCM	Size				bulk	pcs. per packing unit											
						ROLL		REEL				AMMO					
	W	H	L	Codes		S	N	O	ø 360		ø 500		340 x 340		490 x 370		
								H16.5	H18.5	H16.5	H18.5	H16.5	H18.5	H16.5	H18.5	H16.5	H18.5
								F	I	H	J	A	C	B	D		
<b>27.5 mm</b>	9	19	31.5	<b>6A</b>	567*	-	-	-	-	460/340*	-	-	420				
	11	21	31.5	<b>6B</b>	459*	-	-	-	-	380/280*	-	-	350				
	13	24	31.5	<b>6D</b>	378*	-	-	-	-	300	-	-	290				
	13	25	33	<b>FK</b>	405*	-	-	-	-	-	-	-	-				
	15	26	31.5	<b>6F</b>	324*	-	-	-	-	270	-	-	250				
	15	26	33	<b>FL</b>	324*	-	-	-	-	-	-	-	-				
	17	29	31.5	<b>6G</b>	198*	-	-	-	-	-	-	-	-				
	17	34.5	31.5	<b>6I</b>	198*	-	-	-	-	-	-	-	-				
	20	32	33	<b>FM</b>	162*	-	-	-	-	-	-	-	-				
	20	39.5	31.5	<b>6J</b>	162*	-	-	-	-	-	-	-	-				
<b>37.5 mm</b>	9	19	41.5	<b>7A</b>	441*	-	-	-	-	-	-	-	-				
	11	22	41.5	<b>7B</b>	357*	-	-	-	-	-	-	-	-				
	13	24	41.5	<b>7C</b>	294*	-	-	-	-	-	-	-	-				
	15	26	41.5	<b>7D</b>	252*	-	-	-	-	-	-	-	-				
	17	29	41.5	<b>7E</b>	154*	-	-	-	-	-	-	-	-				
	19	32	41.5	<b>7F</b>	140*	-	-	-	-	-	-	-	-				
	20	39.5	41.5	<b>7G</b>	126*	-	-	-	-	-	-	-	-				
	24	45.5	41.5	<b>7H</b>	112*	-	-	-	-	-	-	-	-				
	31	46	41.5	<b>7I</b>	84*	-	-	-	-	-	-	-	-				
	35	50	41.5	<b>7J</b>	35*	-	-	-	-	-	-	-	-				
40	55	41.5	<b>7K</b>	28*	-	-	-	-	-	-	-	-					
<b>48.5 mm</b>	19	31	56	<b>8D</b>	120*	-	-	-	-	-	-	-	-				
	23	34	56	<b>8E</b>	80*	-	-	-	-	-	-	-	-				
	27	37.5	56	<b>8H</b>	84*	-	-	-	-	-	-	-	-				
	33	48	56	<b>8J</b>	25*	-	-	-	-	-	-	-	-				
	37	54	56	<b>8L</b>	25*	-	-	-	-	-	-	-	-				
<b>52.5 mm</b>	25	45	57	<b>9D</b>	70*	-	-	-	-	-	-	-	-				
	30	45	57	<b>9E</b>	60*	-	-	-	-	-	-	-	-				
	35	50	57	<b>9F</b>	25*	-	-	-	-	-	-	-	-				
	45	55	57	<b>9H</b>	20*	-	-	-	-	-	-	-	-				
	45	65	57	<b>9J</b>	20*	-	-	-	-	-	-	-	-				

\* for 2-inch transport pitches.

\* TPS (Tray-Packing-System). Plate versions may have different packing units. Samples and pre-production needs on request.

■ Moulded versions.

Rights reserved to amend design data without prior notification.

Updated data on [www.wima.com](http://www.wima.com)



A WIMA part number consists of 18 digits and is composed as follows:

- Field 1 - 4: Type description
- Field 5 - 6: Rated voltage
- Field 7 - 10: Capacitance
- Field 11 - 12: Size and PCM
- Field 13 - 14: Version code (e.g. Snubber versions)
- Field 15: Capacitance tolerance
- Field 16: Packing
- Field 17 - 18: Pin length (untaped)

1	2	3	4	5	6	7	8	9	10	11	12	13	14	15	16	17	18
<b>M</b>	<b>K</b>	<b>S</b>	<b>2</b>	<b>C</b>	<b>0</b>	<b>2</b>	<b>1</b>	<b>0</b>	<b>0</b>	<b>1</b>	<b>A</b>	<b>0</b>	<b>0</b>	<b>M</b>	<b>S</b>	<b>S</b>	<b>D</b>
MKS 2				63 VDC		0.01 µF			2.5x6.5x7.2		-		20%	bulk	6 -2		

<p><b>Type description:</b></p> <p>SMD-PET = SMDT                  SMD-PEN = SMDN                  SMD-PPS = SMDI                  FKP 02 = FKPO                  MKS 02 = MKS0                  FKS 2 = FKS2                  FKP 2 = FKP2                  FKS 3 = FKS3                  FKP 3 = FKP 3                  MKS 2 = MKS2                  MKP 2 = MKP2                  MKS 4 = MKS4                  MKP 4C = MKPC                  MKP 4 = MKP4                  MKP 10 = MKP1                  FKP 1 = FKP1                  MKP-X2 = MKX2                  MKP-X1 R = MKX1                  MKP-Y2 = MKY2                  MP 3-X2 = MPX2                  MP 3-X1 = MPX1                  MP 3-Y2 = MPY2                  MP 3R-Y2 = MPRY                  MKP 4F = MKPF                  Snubber MKP = SNMP                  Snubber FKP = SNFP                  GTO MKP = GTOM                  DC-LINK MKP 3 = DCP3                  DC-LINK MKP 4 = DCP4                  DC-LINK MKP 4S = DCP5                  DC-LINK MKP 5 = DCP5                  DC-LINK MKP 6 = DCP6                  DC-LINK HC = DCHC                  DC-LINK HY = DCHY</p>	<p><b>Rated voltage:</b></p> <p>50 VDC = B0                  63 VDC = C0                  100 VDC = D0                  250 VDC = F0                  400 VDC = G0                  450 VDC = H0                  520 VDC = H2                  600 VDC = I0                  630 VDC = J0                  700 VDC = K0                  800 VDC = L0                  850 VDC = M0                  900 VDC = N0                  1000 VDC = O1                  1100 VDC = P0                  1200 VDC = Q0                  1250 VDC = R0                  1500 VDC = S0                  1600 VDC = T0                  2000 VDC = U0                  2500 VDC = V0                  3000 VDC = W0                  4000 VDC = X0                  6000 VDC = Y0                  250 VAC = 0W                  275 VAC = 1W                  300 VAC = 2W                  305 VAC = AW                  350 VAC = BW                  440 VAC = 4W                  500 VAC = 5W                  ...</p>	<p><b>Capacitance:</b></p> <p>22 pF = 0022                  47 pF = 0047                  100 pF = 0100                  150 pF = 0150                  220 pF = 0220                  330 pF = 0330                  470 pF = 0470                  680 pF = 0680                  1000 pF = 1100                  1500 pF = 1150                  2200 pF = 1220                  3300 pF = 1330                  4700 pF = 1470                  6800 pF = 1680                  0.01 µF = 2100                  0.022 µF = 2220                  0.047 µF = 2470                  0.1 µF = 3100                  0.22 µF = 3220                  0.47 µF = 3470                  1 µF = 4100                  2.2 µF = 4220                  4.7 µF = 4470                  10 µF = 5100                  22 µF = 5220                  47 µF = 5470                  100 µF = 6100                  220 µF = 6220                  1000 µF = 7100                  1500 µF = 7150                  ...</p>	<p><b>Size:</b></p> <p>4.8x3.3x3 Size 1812 = KA                  4.8x3.3x4 Size 1812 = KB                  5.7x5.1x3.5 Size 2220 = QA                  5.7x5.1x4.5 Size 2220 = QB                  7.2x6.1x3 Size 2824 = TA                  7.2x6.1x5 Size 2824 = TB                  10.2x7.6x5 Size 4030 = VA                  12.7x10.2x6 Size 5040 = XA                  15.3x13.7x7 Size 6054 = YA                  2.5x7x4.6 PCM 2.5 = 0B                  3x7.5x4.6 PCM 2.5 = 0C                  2.5x6.5x7.2 PCM 5 = 1A                  3x7.5x7.2 PCM 5 = 1B                  2.5x7x10 PCM 7.5 = 2A                  3x8.5x10 PCM 7.5 = 2B                  3x9x13 PCM 10 = 3A                  4x9x13 PCM 10 = 3C                  5x11x18 PCM 15 = 4B                  6x12.5x18 PCM 15 = 4C                  5x14x26.5 PCM 22.5 = 5A                  6x15x26.5 PCM 22.5 = 5B                  9x19x31.5 PCM 27.5 = 6A                  11x21x31.5 PCM 27.5 = 6B                  9x19x41.5 PCM 37.5 = 7A                  11x22x41.5 PCM 37.5 = 7B                  19x31x56 PCM 48.5 = 8D                  25x45x57 PCM 52.5 = 9D                  ...</p> <p><b>Version code:</b></p> <p>Standard = 00                  Version A1 = 1A                  Version A1.1.1 = 1B                  Version A2 = 2A                  ...</p>	<p><b>Tolerance:</b></p> <p>±20% = M                  ±10% = K                  ±5% = J                  ±2.5% = H                  ±1% = E                  ...</p> <p><b>Packing:</b></p> <p>AMMO H16.5 340x340 = A                  AMMO H16.5 490x370 = B                  AMMO H18.5 340x340 = C                  AMMO H18.5 490x370 = D                  REEL H16.5 360 = F                  REEL H16.5 500 = H                  REEL H18.5 360 = I                  REEL H18.5 500 = J                  ROLL H16.5 = N                  ROLL H18.5 = O                  BLISTER W12 180 = P                  BLISTER W12 330 = Q                  BLISTER W16 330 = R                  BLISTER W24 330 = T                  Bulk/TPS Standard = S                  ...</p> <p><b>Pin length (untaped)</b></p> <p>3.5 ±0.5 = C9                  6 -2 = SD                  16 ±1 = P1                  ...</p> <p><b>Pin length (taped)</b></p> <p>none = 00</p>
--	--	---	--	---

The data on this page is not complete and serves only to explain the part number system. Part number information is listed on the pages of the respective WIMA range.

## X-ON Electronics

Largest Supplier of Electrical and Electronic Components

*Click to view similar products for [Film Capacitors](#) category:*

*Click to view products by [WIMA](#) manufacturer:*

Other Similar products are found below :

[F339X134748MIP2T0](#) [750-1018](#) [FKP1-1000160010P15](#) [FKP1-1500160010P15](#) [FKP1R031507E00JYSD](#) [FKP1U024707E00KYSD](#)  
[82DC4100CK60J](#) [82EC1100DQ50K](#) [PFR5101J100J11L16.5TA18](#) [PME261JB5220KR19T0](#) [A451GK223M040A](#) [A521HH333M035C](#)  
[A561ED221M450A](#) [QXJ2E474KTPT](#) [QXL2B333KTPT](#) [R49AN347000A1K](#) [EEC2G505HQA406](#) [B25668A6676A375](#) [B25673A4282E140](#)  
[BFC233868148](#) [BFC2370GC222](#) [C3B2AD44400B20K](#) [950CQW5H-F](#) [SCD105K122A3-22](#) [SCD155K162A3X44-F](#) [2N3155](#)  
[A571EH331M450A](#) [FKP1-2202KV5P15](#) [FKS3-680040010P10](#) [QXL2E473KTPT](#) [445450-1](#) [B25669A3996J375](#) [46KI322000M1M](#)  
[46KR415050M1K](#) [4BSNBX4100ZBFJ](#) [MKP383510063JKP2T0](#) [MKPY2-.02230020P15](#) [MKT 1813-368-015](#) [4055292001](#) [46KN410000N1K](#)  
[EEC2E106HQA405](#) [EEC2G205HQA402](#) [EEC2G805HQA415](#) [82EC2150DQ50K](#) [288P22494H101](#) [PHE841ED6150MR17T0](#)  
[B25620B118K883](#) [B25620B158K883](#) [BFC2370GC223](#) [BFC237022472](#)