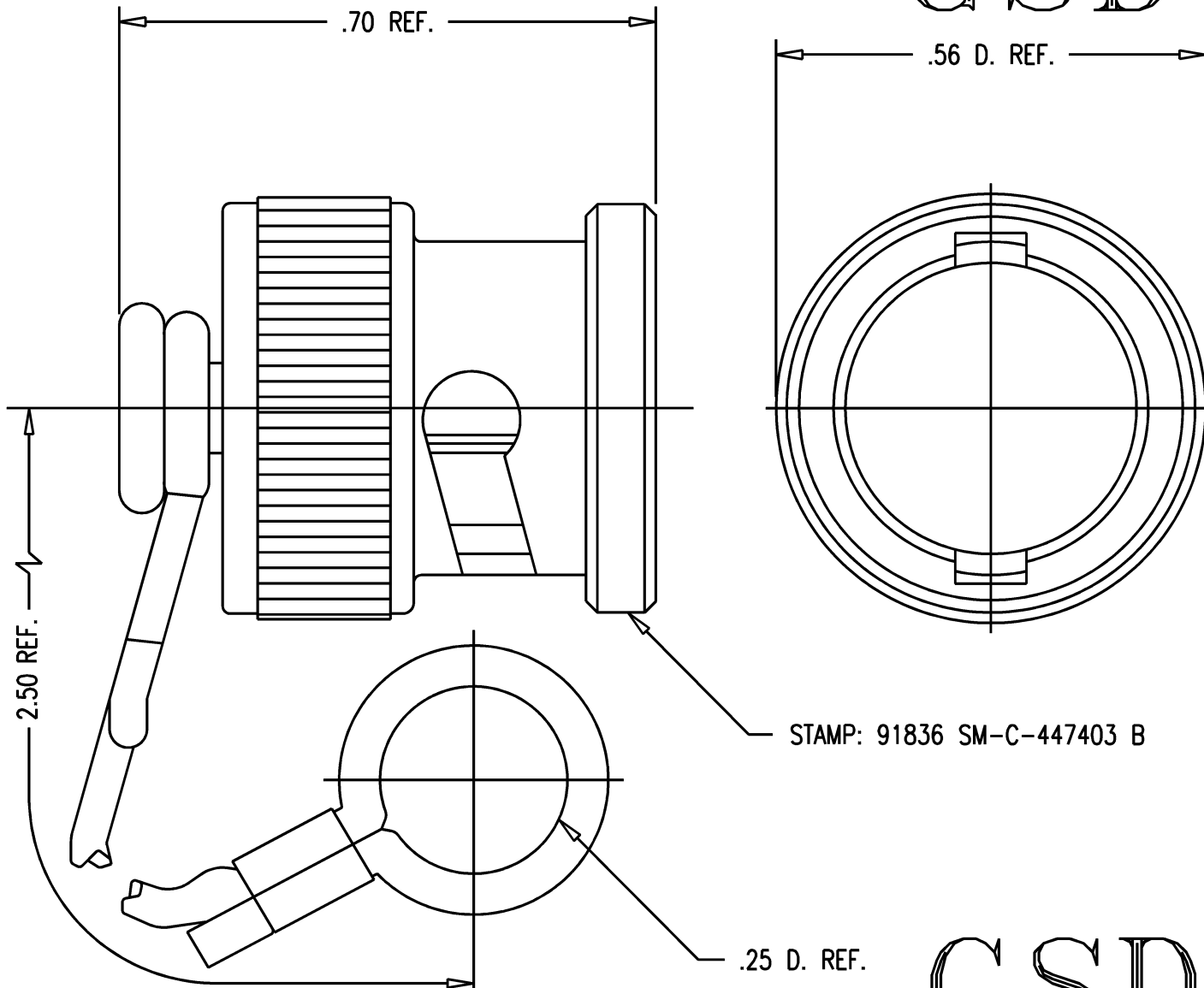


GSD



NOTES:

1. MARK PACKAGE: KINGS KC-89-39
 XX XX (DATE CODE)
 91836 SM-C-447403 B

2. MATERIALS:
 PAD: SILICONE RUBBER, ZZ-R-765, OLIVE GREEN.
 CORD: CORELESS NYLON CORD PER MIL-C-7515
 CLIP: STAINLESS STEEL BLACKNID
 ALL OTHER METAL PARTS: BRASS, ASTM-B16, H02

3. FINISHES:
 CAP & BAYONET SLEEVES:
 OLIVE GREEN PAINT PER TT-E-529 OVER
 SILVER PLATE, QQ-S-365.
 ALL OTHER METAL PARTS:
 KINGS TARNISH RESISTANT NICKEL FINISH (TR-5)

MAY 2007 THIS DRAWING BECAME THE PROPERTY OF PROPERTY OF WINCHESFER ELECTRONICS CORPORATION, WALLINGFORD, CT 06492

KC-89-39	
REVISIONS	
ISSUE	CHANGES
14	CN 37170 A REDRAWN PG 11/01/96
JJS101	

SCALE	4:1
APPROX SURFACE AREA	
USED ON	
REF:	RICHMOND PRODUCTS CO. Q-10 HARRIS CORP. J96-0005-001

CAP ASS'Y, BNC, M	
DRAWN PG	DATE 11/01/96
DESIGN LI	DATE 11/04/96
APPR.	DATE


KINGS
 ELECTRONICS CO., INC.
 TUCKAHOE, NEW YORK 10707

KC-89-39

X-ON Electronics

Largest Supplier of Electrical and Electronic Components

Click to view similar products for [Circular MIL Spec Strain Reliefs & Adapters](#) category:

Click to view products by [Winchester](#) manufacturer:

Other Similar products are found below :

[896227-000](#) [899170S004](#) [6000-063-0022](#) [613751-000](#) [CS6624-000](#) [620AB038Z136](#) [620AS001Z108](#) [620AS038Z112](#) [620AS038Z120](#)
[620AS038Z132](#) [620FB038NF08](#) [620HA038NF13](#) [620HA038NF25](#) [620HA042XM13](#) [620HB049NF17](#) [620HS011NF21](#) [620HS038NF11](#)
[620HS038Z121](#) [620HS042XM19](#) [620HS042XM25](#) [620HS042XW13](#) [620HS048B17](#) [620MS064NF09](#) [620MS064NF12](#) [620MS065M12](#)
[620MS065Z107](#) [620MS065ZNU06](#) [630J041M06H](#) [630J041M20H](#) [637S010NF0212H](#) [640830-000](#) [659943-000](#) [66241-10A](#) [CW0597-000](#)
[CW0598-000](#) [CW0948-000](#) [CY0122-000](#) [M85049/41-6A W/B](#) [M85049/42-12DS](#) [M85049/47N8](#) [M85049/47W18](#) [M85049/51-1-14S](#)
[M85049/51-1-8W](#) [M85049/51S16S](#) [M85049/60-1N16](#) [M85049/60-2G12W](#) [M85049/69-11N](#) [CZ3661-000](#) [D02922-000](#) [70.360.1628.0](#)