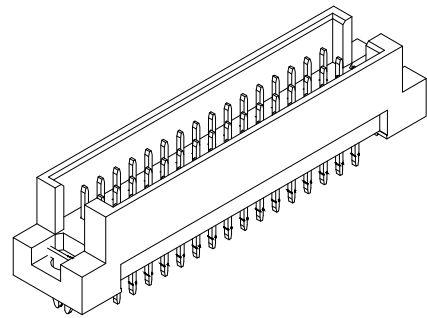
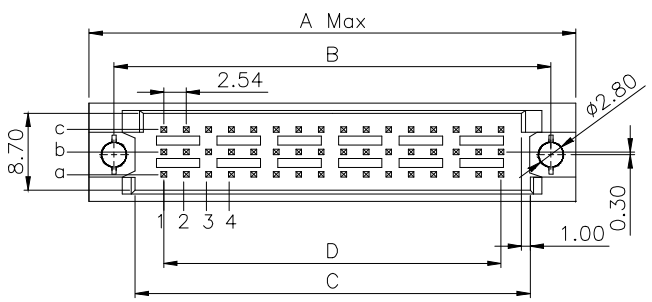
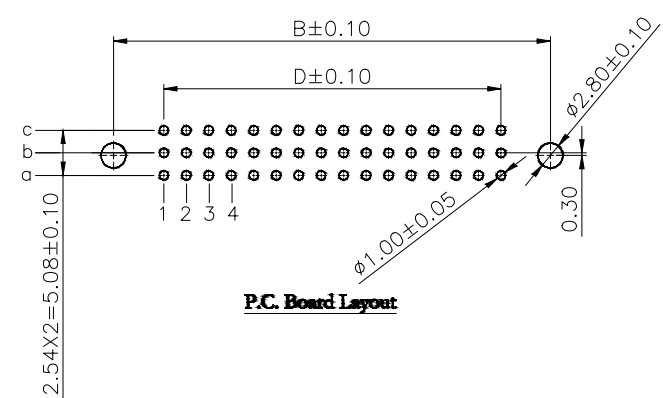
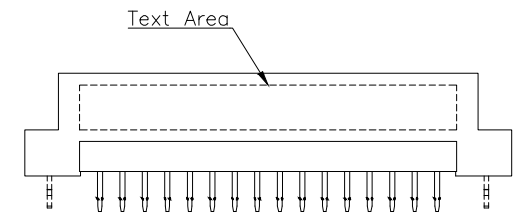
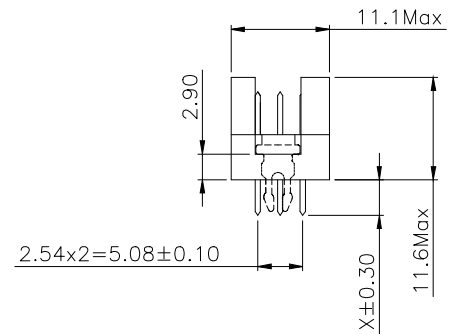
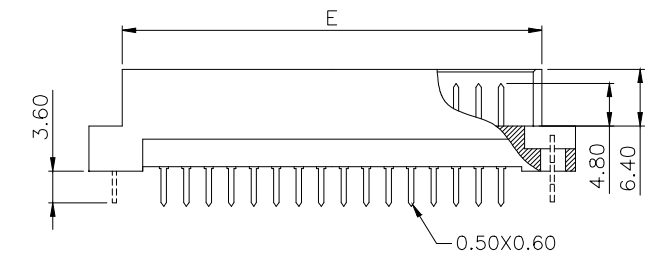


REV.	SPECIFICATION	ECN NO.	APPD.
R7			



**Material and Plating:**  
Housing: PBT, UL94V-0, Beige  
Contacts: Brass  
Gold Plated on Contact Area and 80u" Min Tin or Gold Flash Plated on Solder Tail over Nickel 50u" Min.  
Lock: Phosphor Bronze  
80u" Min Tin Plated over Nickel 50u" Min.

**Electrical Characteristics:**  
Current Rating: 2 AMP.  
Dielectric Withstanding Voltage: AC 1000V For 1 minute.  
Insulator Resistance: 10<sup>10</sup> MQ min. at DC 500V.  
Contact Resistance: 20mΩ max. at DC 100mA.  
Operating Temperature: -55°C ~+125°C.  
**\*RoHS Compliant**



**9001- 17 xx x C xx L1 A**

Series  
1:2.54mm  
Male  
Position  
1:Dip Length  
2:Dip Length  
W1:Dip Length  
W2:Dip Length

A:Tray Package  
Blank:W/O Lock  
L1:With Lock  
00:G/F  
10:10u"  
15:15u"  
30:30u"

C:Selective Gold Plated  
G:Gold Plated

Length	1	2	W1	W2
X	4.0	2.5	13	17

Dimension					
Position	A	B	C	D	E
48/32/16	55.0	49.36	44.60	38.10	47.40
30/20/10	39.8	34.12	29.36	22.86	32.16

Pitch	Position	Rows with Contacts	Contact Arrange
2.54mm	48	a b c	
	32	a - c	
	30	a b c	
	20	a - c	
	16	a - -	
	10	a - -	

Tolerances	Dwg. No.	9001D17001		Title:	9001 Series	
x = ±0.5	Projection			DIN41612 Half		R Type Male
.x = ±0.25	Unit	mm	Scale	1:1		
.xx = ±0.15	Drawn By	JT 04/20'22				

<b>WINGTAT</b> 深圳市格林柏电子技术开发有限公司			
P/N: 9001-17xxxCxxL1A			
SHEET	1/1	Ver.No.	R7

## X-ON Electronics

Largest Supplier of Electrical and Electronic Components

*Click to view similar products for [Board to Board & Mezzanine Connectors](#) category:*

*Click to view products by [WingTAT](#) manufacturer:*

Other Similar products are found below :

[589158040000018](#) [MDF7C-18P-2.54DSA\(55\)](#) [FCN-268F036-G/BD](#) [FCN-268M012-G/0D](#) [FCN-268M024-G/1D](#) [MIS-048-01-F-D-DP-K](#)  
[832-10-034-10-001000](#) [FX4C-80S-1.27DSA](#) [93696-330](#) [224393](#) [FCN-235D050-G/C](#) [210-93-314-41-105000](#) [MDF7-40DP-2.54DSA\(55\)](#)  
[55323-1519](#) [069159702701000](#) [101A10019X](#) [105061100000861+](#) [75140-7012](#) [87471-650](#) [1744382-4](#) [063209](#) [10124054-515LF](#) [68685-603](#)  
[8-1616154-3](#) [541371078](#) [IL-WX-10PB-HF-B-E1000E](#) [FX23-40P-0.5SV15B](#) [FCN-214J100-G/0](#) [354184](#) [P50-028-DDS-TG](#) [53309-2471](#)  
[54546-2071](#) [1586617-1](#) [504248-1210](#) [504248-2010](#) [1-1437355-2](#) [9159005551906](#) [NDS100-004-BF](#) [93696-730LF](#) [91922-31141LF](#) [505274-](#)  
[3440](#) [501493-2410](#) [504208-3410](#) [505006-0811](#) [505274-2040](#) [202436-1600](#) [202477-0414](#) [71660-7580](#) [73420-5192](#) [360-10-107-00-001000](#)