

REV.	SPECIFICATION	ECN NO.	APPD.
R5		ECN220502	

**Material and Plating:**

Housing: PBT, UL94V-0, Beige

Contacts: Copper Alloy

Lock: Phosphor Bronze

Gold plated on Contact Area and 80u" Min Tin Plated on Solder Tail over Nickel 50u" Min.

**Electrical Characteristics:**

Current Rating: 2 AMP.

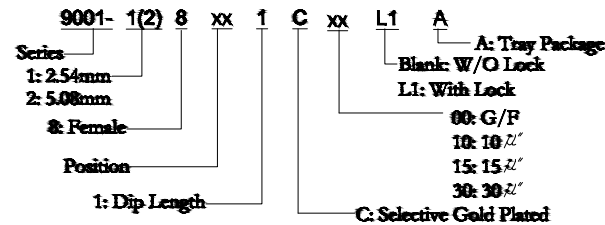
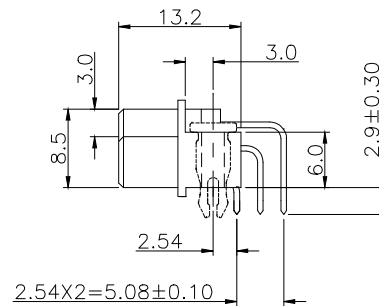
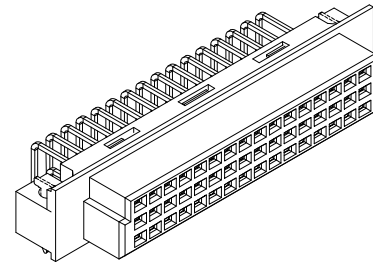
Dielectric Withstanding Voltage: AC 1000V For 1 minute.

Insulator Resistance: 10<sup>6</sup> MΩ min. at DC 500V.

Contact Resistance: 20mΩ max. at DC 100mA.

Operating Temperature: -55°C~+125°C .

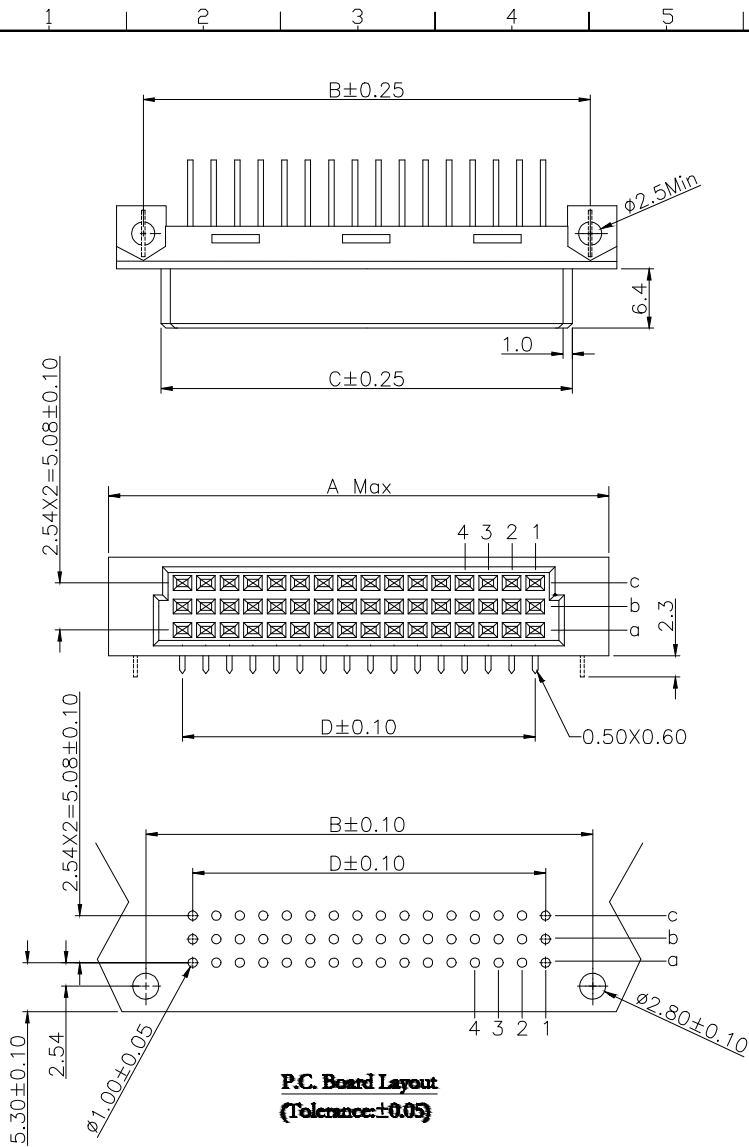
**\*RoHS Compliant**



Dimension				
Position	A	B	C	D
48/32/24/16/8	54.0	48.26	44.40	38.10
30/20/15/10/5	38.8	33.02	29.20	22.86

Pitch	Position (P)	Rows with Contacts	Contact Arrangement	P/N
2.54mm	48	a-b-c		9001-18481C--
	32	a-c		9001-18321C--
	30	a-b-c		9001-18301C--
	20	a-c		9001-18201C--
	16	a--		9001-18161C--
5.08mm	10	a--		9001-18101C--
	24	a-b-c		9001-28241C--
	16	a-c		9001-28161C--
	15	a-b-c		9001-28151C--
	10	a-c		9001-28101C--
	8	a--		9001-28081C--
	5	a--		9001-28051C--



**P.C. Board Layout**  
(Tolerance: ±0.05)

Tolerances	Dwg. No.	9001D18001	
x = ±0.5	Projection		
.x = ±0.25	Unit	mm	Scale 1:1
.xx = ±0.15	Drawn By	ZY 05/05'22	

Title	9001 Series DIN41612 Half R Type Female
-------	---

<b>WingTAT</b> <sup>®</sup>			
深圳市格林柏电子技术开发有限公司			
P/N: 9001-1(2)8xx1CxxL1A			
SHEET	1/1	Ver. No.	R5

## X-ON Electronics

Largest Supplier of Electrical and Electronic Components

*Click to view similar products for [Board to Board & Mezzanine Connectors](#) category:*

*Click to view products by [WingTAT](#) manufacturer:*

Other Similar products are found below :

[589158040000018](#) [MDF7C-18P-2.54DSA\(55\)](#) [FCN-268F036-G/BD](#) [FCN-268M012-G/0D](#) [FCN-268M024-G/1D](#) [MIS-048-01-F-D-DP-K](#)  
[832-10-034-10-001000](#) [FX4C-80S-1.27DSA](#) [93696-330](#) [224393](#) [FCN-235D050-G/C](#) [210-93-314-41-105000](#) [MDF7-40DP-2.54DSA\(55\)](#)  
[55323-1519](#) [069159702701000](#) [101A10019X](#) [105061100000861+](#) [75140-7012](#) [87471-650](#) [1744382-4](#) [063209](#) [10124054-515LF](#) [68685-603](#)  
[8-1616154-3](#) [541371078](#) [IL-WX-10PB-HF-B-E1000E](#) [FX23-40P-0.5SV15B](#) [FCN-214J100-G/0](#) [354184](#) [P50-028-DDS-TG](#) [53309-2471](#)  
[54546-2071](#) [1586617-1](#) [504248-1210](#) [504248-2010](#) [1-1437355-2](#) [9159005551906](#) [NDS100-004-BF](#) [93696-730LF](#) [91922-31141LF](#) [505274-](#)  
[3440](#) [501493-2410](#) [504208-3410](#) [505006-0811](#) [505274-2040](#) [202436-1600](#) [202477-0414](#) [71660-7580](#) [73420-5192](#) [360-10-107-00-001000](#)