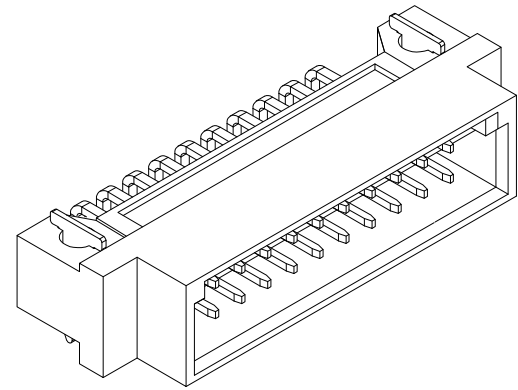
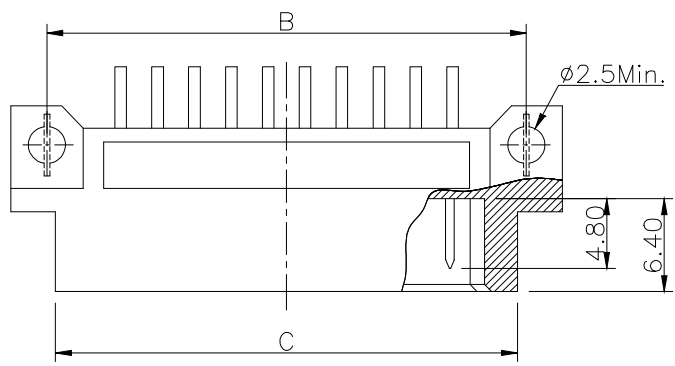


REV.	SPECIFICATION	ECN NO.	APPD.
R3		BCN140544	



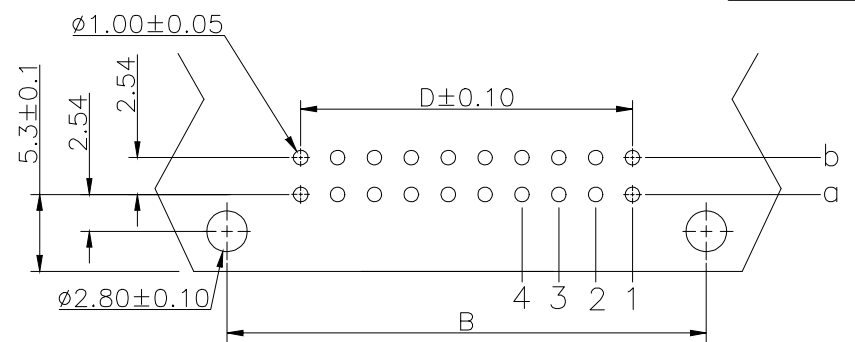
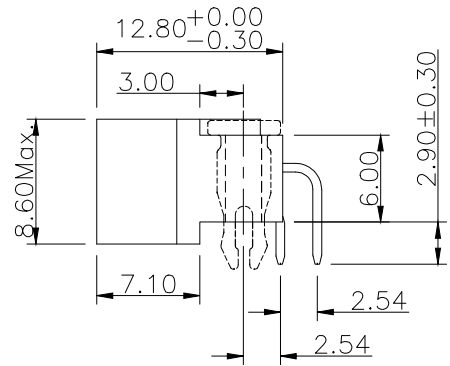
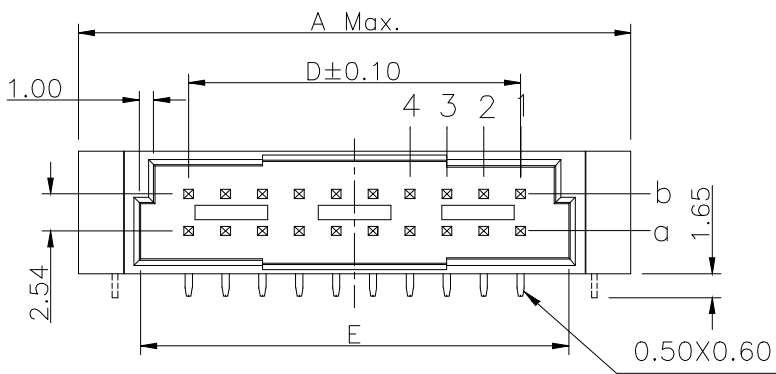
Material:

Housing: Thermoplastic Polyester Glass Filled UL94V-0.
 Contacts: Copper Alloy.
 Lock: Copper Alloy.

Electrical Characteristics:

Current Rating: 2 AMP.
 Dielectric Withstanding Voltage: AC 1000V For 1 minute.
 Insulator Resistance: 1000M Ω min. at DC 500V.
 Contact Resistance: 20m Ω max. at DC 100mA.
 Operating Temperature: -55°C ~+125°C .

***RoHS Compliant**



P.C. Board Layout
(Tolerance: $\pm 0.05\text{mm}$)

9001- 3 5 xx 1 C xx x A

Series
 3: 2.54mm
 5: Male
 Position
 1: Dip Length
 C: Dip Tin Contact Gold
 G: Gold

A: Tray Package
 Blank/W/O Lock
 L1: With Lock
 00: G/F
 10: 10 μ "
 15: 15 μ "
 30: 30 μ "

Pin	Dimension				
	A	B	C	D	E
8/4	22.80	17.78	16.56	7.62	14.16
10/5	25.34	20.32	19.10	10.16	16.70
12/6	27.88	22.86	21.64	12.70	19.24
16/8	32.96	27.94	26.72	17.78	24.32

9001-35041CxxxA		a-	04	2.54mm	
9001-35051CxxxA		a-	05		
9001-35061CxxxA		a-	06		
9001-35081CxxxA		a-	08		
9001-35081CxxxA		ab	08		
9001-35101CxxxA		ab	10		
9001-35121CxxxA		ab	12		
9001-35161CxxxA		ab	16		
P/N	Contact Arrange	Rows with Contacts	Pin		Pitch

Tolerances	Dwg. No.	9001D35016	Title:		9001 Series DIN41612 Half B type Male	
x = ± 0.5	Projection		Scale 1:1 Drawn By T T 07/08'14		 深圳市格林柏电子技术开发有限公司 P/N: 9001-35201CxxxA	
.x = ± 0.25	Unit	mm				
.xx = ± 0.15	Drawn By	T T 07/08'14				
			SHEET	1/1	Ver.No.	R3

X-ON Electronics

Largest Supplier of Electrical and Electronic Components

Click to view similar products for [Board to Board & Mezzanine Connectors](#) category:

Click to view products by [WingTAT](#) manufacturer:

Other Similar products are found below :

[589158040000018](#) [MDF7C-18P-2.54DSA\(55\)](#) [FCN-268F036-G/BD](#) [FCN-268M012-G/0D](#) [FCN-268M024-G/1D](#) [MIS-048-01-F-D-DP-K](#)
[832-10-034-10-001000](#) [FX4C-80S-1.27DSA](#) [93696-330](#) [224393](#) [FCN-235D050-G/C](#) [210-93-314-41-105000](#) [MDF7-40DP-2.54DSA\(55\)](#)
[55323-1519](#) [069159702701000](#) [101A10019X](#) [105061100000861+](#) [75140-7012](#) [87471-650](#) [1744382-4](#) [063209](#) [10124054-515LF](#) [68685-603](#)
[8-1616154-3](#) [541371078](#) [IL-WX-10PB-HF-B-E1000E](#) [FX23-40P-0.5SV15B](#) [FCN-214J100-G/0](#) [354184](#) [P50-028-DDS-TG](#) [53309-2471](#)
[54546-2071](#) [1586617-1](#) [504248-1210](#) [504248-2010](#) [1-1437355-2](#) [9159005551906](#) [NDS100-004-BF](#) [93696-730LF](#) [91922-31141LF](#) [505274-](#)
[3440](#) [501493-2410](#) [504208-3410](#) [505006-0811](#) [505274-2040](#) [202436-1600](#) [202477-0414](#) [71660-7580](#) [73420-5192](#) [360-10-107-00-001000](#)