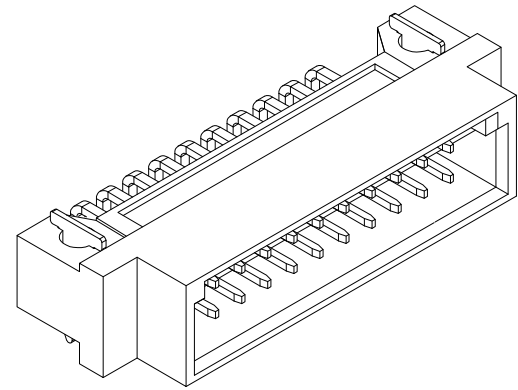
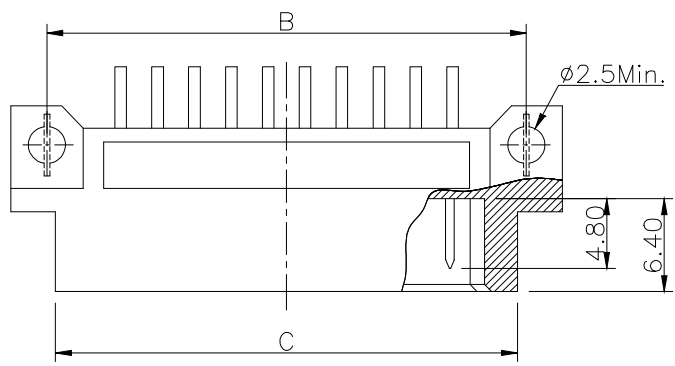


| | | | |
|------|---------------|-----------|-------|
| REV. | SPECIFICATION | ECN NO. | APPD. |
| R3 | | BCN140544 | |



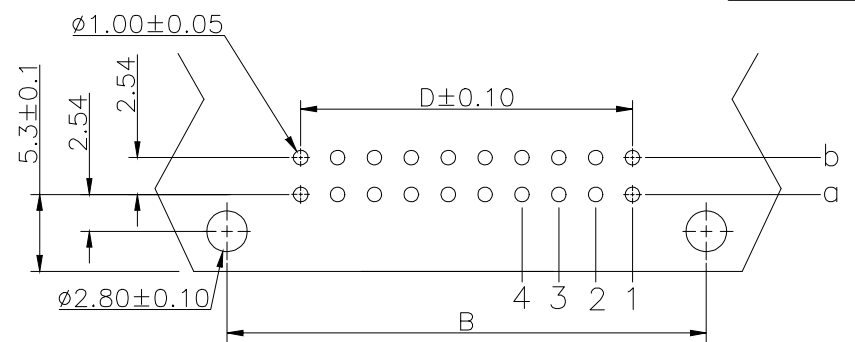
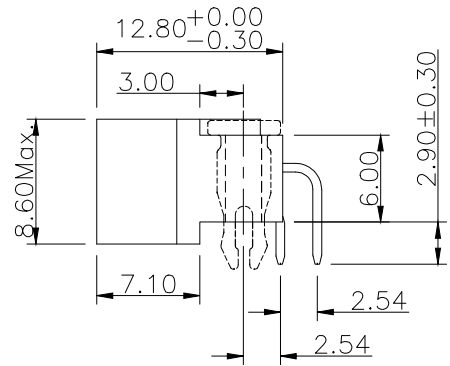
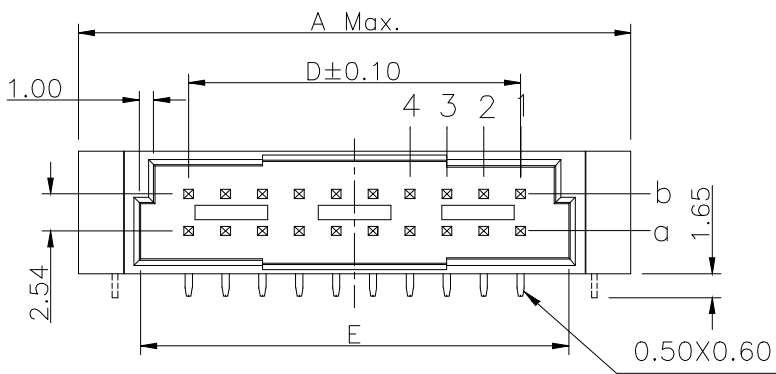
Material:

Housing: Thermoplastic Polyester Glass Filled UL94V-0.
 Contacts: Copper Alloy.
 Lock: Copper Alloy.

Electrical Characteristics:

Current Rating: 2 AMP.
 Dielectric Withstanding Voltage: AC 1000V For 1 minute.
 Insulator Resistance: 1000MΩ min. at DC 500V.
 Contact Resistance: 20mΩ max. at DC 100mA.
 Operating Temperature: -55°C ~+125°C .

***RoHS Compliant**



P.C. Board Layout
(Tolerance: ±0.05mm)

9001- 3 5 xx 1 C xx x A

Series
 3: 2.54mm
 5: Male
 Position
 1: Dip Length
 C: Dip Tin Contact Gold
 G: Gold

A: Tray Package
 Blank/W/O Lock
 L1: With Lock
 00: G/F
 10: 10 μ "
 15: 15 μ "
 30: 30 μ "

| Pin | Dimension | | | | |
|------|-----------|-------|-------|-------|-------|
| | A | B | C | D | E |
| 8/4 | 22.80 | 17.78 | 16.56 | 7.62 | 14.16 |
| 10/5 | 25.34 | 20.32 | 19.10 | 10.16 | 16.70 |
| 12/6 | 27.88 | 22.86 | 21.64 | 12.70 | 19.24 |
| 16/8 | 32.96 | 27.94 | 26.72 | 17.78 | 24.32 |

| | | | | | |
|-----------------|-----------------|--------------------|-----|--------|-------|
| 9001-35041CxxxA | | a- | 04 | 2.54mm | |
| 9001-35051CxxxA | | a- | 05 | | |
| 9001-35061CxxxA | | a- | 06 | | |
| 9001-35081CxxxA | | a- | 08 | | |
| 9001-35081CxxxA | | ab | 08 | | |
| 9001-35101CxxxA | | ab | 10 | | |
| 9001-35121CxxxA | | ab | 12 | | |
| 9001-35161CxxxA | | ab | 16 | | |
| P/N | Contact Arrange | Rows with Contacts | Pin | | Pitch |

| | | | | | | |
|-------------|------------|-------------|--------|--|---|--|
| Tolerances | Dwg. No. | 9001D35016 | Title: | | 9001 Series DIN41612 Half B type Male | |
| x = ±0.5 | Projection | | SHEET | | 1/1 | |
| .x = ±0.25 | Unit | mm | | | | |
| .xx = ±0.15 | Scale | 1:1 | 1/1 | | R3 | |
| | Drawn By | TT 07/08'14 | | | | |

WingTAT[®]
 深圳市格林柏电子技术开发有限公司
 P/N: 9001-35201CxxxA

X-ON Electronics

Largest Supplier of Electrical and Electronic Components

Click to view similar products for [Board to Board & Mezzanine Connectors](#) category:

Click to view products by [WingTAT](#) manufacturer:

Other Similar products are found below :

[589158040000018](#) [MDF7C-18P-2.54DSA\(55\)](#) [FCN-268F036-G/BD](#) [FCN-268M012-G/0D](#) [FCN-268M024-G/1D](#) [MIS-048-01-F-D-DP-K](#)
[832-10-034-10-001000](#) [FX4C-80S-1.27DSA](#) [93696-330](#) [224393](#) [FCN-235D050-G/C](#) [210-93-314-41-105000](#) [MDF7-40DP-2.54DSA\(55\)](#)
[55323-1519](#) [069159702701000](#) [101A10019X](#) [105061100000861+](#) [75140-7012](#) [87471-650](#) [1744382-4](#) [063209](#) [10124054-515LF](#) [68685-603](#)
[8-1616154-3](#) [541371078](#) [IL-WX-10PB-HF-B-E1000E](#) [FX23-40P-0.5SV15B](#) [FCN-214J100-G/0](#) [354184](#) [P50-028-DDS-TG](#) [53309-2471](#)
[54546-2071](#) [1586617-1](#) [504248-1210](#) [504248-2010](#) [1-1437355-2](#) [9159005551906](#) [NDS100-004-BF](#) [93696-730LF](#) [91922-31141LF](#) [505274-](#)
[3440](#) [501493-2410](#) [504208-3410](#) [505006-0811](#) [505274-2040](#) [202436-1600](#) [202477-0414](#) [71660-7580](#) [73420-5192](#) [360-10-107-00-001000](#)