

REV.	SPECIFICATION	ECN NO.	APPD.
R6		BCN220137	

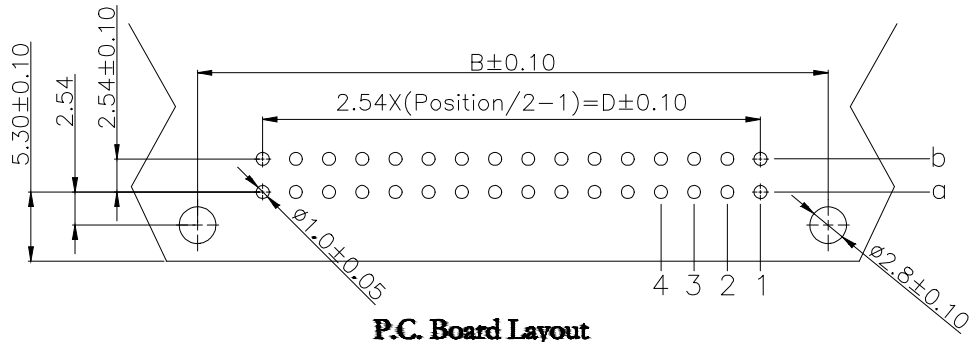
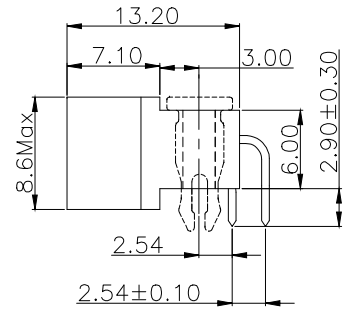
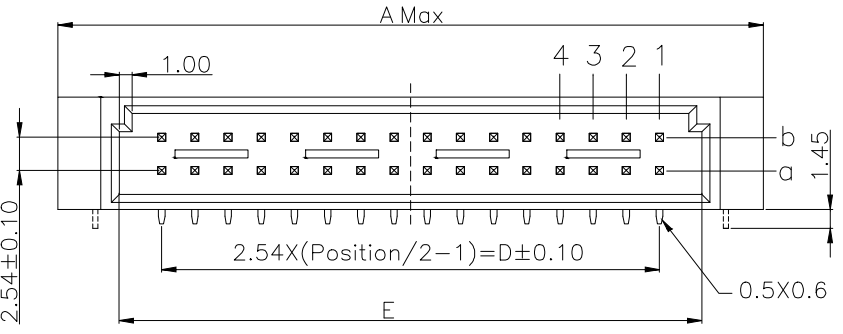
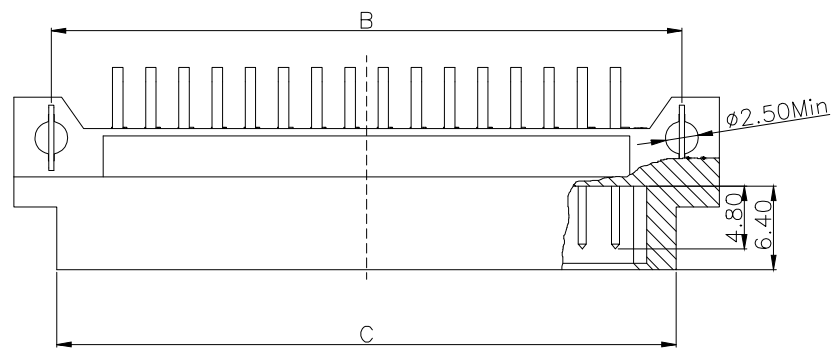
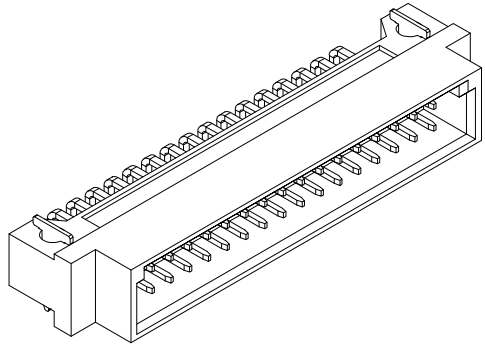
Material and Plating:

Housing: PBT, UL94V-0, Beige.
 Contacts: Brass.
 Lock: Phosphor Bronze.
 Gold Plated on contact Area and 80u" Min Tin or Gold
 Flash Plated on solder tail over 50u" Min Nickel.

Electrical Characteristics:

Current Rating: 2 AMP.
 Dielectric Withstanding Voltage: AC 1000V For 1 minute.
 Insulator Resistance: 1000MQ Min. at DC 500V.
 Contact Resistance: 20mΩ Max. at DC 100mA.
 Operating Temperature: -55°C ~+125°C .

***RoHS Compliant**



P.C. Board Layout
(Tolerance: ±0.05)

9001- 3 5 xx 1 C xx x A

Series: 3: 2.54mm, 5: Male, Position: 1: Dip Length

A: Tray Package
 Blank: W/O Lock
 L1: With Lock
 00: G/F
 10: 10 u"
 15: 15 u"
 30: 30 u"

C: Dip Tin
 Contact Gold
 G: Gold

Pin	Dimension				
	A	B	C	D	E
32/16	54.00	48.26	47.40	38.10	44.60
44/22	69.24	63.50	62.64	53.34	59.95
48/24	74.32	68.58	67.72	58.42	65.03
50/25	76.86	71.12	70.26	60.96	67.57

9001-35161CxxxA		a-	16	2.54mm	
9001-35221CxxxA		a-	22		
9001-35241CxxxA		a-	24		
9001-35151CxxxA		a-	25		
9001-35321CxxxA		ab	32		
9001-35441CxxxA		ab	44		
9001-35481CxxxA		ab	48		
9001-35501CxxxA		ab	50		
P/N	Contact Arrange	Rows with Contacts	Pin		Pitch

Tolerances	Dwg No.	9001D35001
x = ±0.5	Projection	
.x = ±0.25	Unit	mm
.xx = ±0.15	Scale	1:1
	Drawn By	ZY 1/19'22

Title: 9001 Series
 DIN 41612
 Half B Type Male

WingTAT [®]			
深圳市格林柏电子技术开发有限公司			
P/N: 9001-35xx1CxxxA			
SHEET	1/1	Ver.No.	R6

X-ON Electronics

Largest Supplier of Electrical and Electronic Components

Click to view similar products for [Board to Board & Mezzanine Connectors](#) category:

Click to view products by [WingTAT](#) manufacturer:

Other Similar products are found below :

[589158040000018](#) [MDF7C-18P-2.54DSA\(55\)](#) [FCN-268F036-G/BD](#) [FCN-268M012-G/0D](#) [FCN-268M024-G/1D](#) [MIS-048-01-F-D-DP-K](#)
[832-10-034-10-001000](#) [FX4C-80S-1.27DSA](#) [93696-330](#) [224393](#) [FCN-235D050-G/C](#) [210-93-314-41-105000](#) [MDF7-40DP-2.54DSA\(55\)](#)
[55323-1519](#) [069159702701000](#) [101A10019X](#) [105061100000861+](#) [75140-7012](#) [87471-650](#) [1744382-4](#) [063209](#) [10124054-515LF](#) [68685-603](#)
[8-1616154-3](#) [541371078](#) [IL-WX-10PB-HF-B-E1000E](#) [FX23-40P-0.5SV15B](#) [FCN-214J100-G/0](#) [354184](#) [P50-028-DDS-TG](#) [53309-2471](#)
[54546-2071](#) [1586617-1](#) [504248-1210](#) [504248-2010](#) [1-1437355-2](#) [9159005551906](#) [NDS100-004-BF](#) [93696-730LF](#) [91922-31141LF](#) [505274-](#)
[3440](#) [501493-2410](#) [504208-3410](#) [505006-0811](#) [505274-2040](#) [202436-1600](#) [202477-0414](#) [71660-7580](#) [73420-5192](#) [360-10-107-00-001000](#)