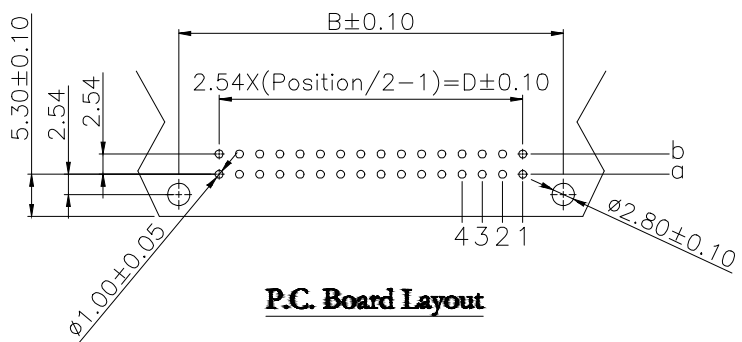
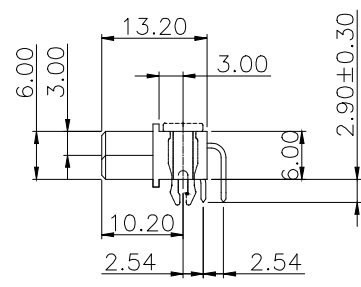
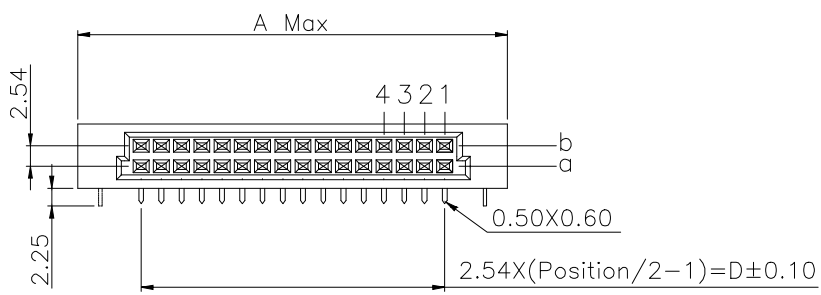
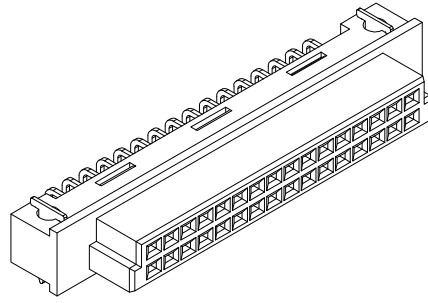
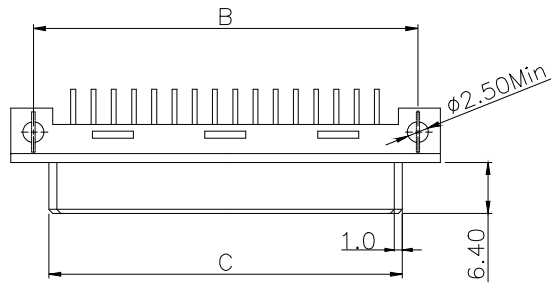


| | | | |
|------|---------------|-----------|-------|
| REV. | SPECIFICATION | ECN NO. | APPD. |
| R4 | | BCN190103 | |

Material and Plating:
Housing: PBT, UL94V-0, Beige .
Contacts: Copper Alloy.
Gold Plated on Contact Area and 80u" Min Tin or Gold Flash Plated on Solder Tail over Nickel 50u" Min .
Lock: Phosphor bronze.
Electrical Characteristics:
Current Rating: 2 AMP.
Dielectric Withstanding Voltage: AC1000V For 1 minute.
Insulator Resistance: 1000MΩ min. at DC 500V.
Contact Resistance: 20mΩ max. at DC 100mA.
Operating Temperature: -55°C ~+125°C .
***RoHS Compliant**



P.C. Board Layout

9001- 3 8 xx 1 C xx x A
Series ——— **A: Tray Package**
3: 2.54mm ——— **Blank: W/O Lock**
8: Female ——— **L1: With Lock**
Position ——— **00: G/F**
1: Dip Length ——— **10: 10u"**
 15: 15u"
 30: 30u"
C: Dip Tin
Contact Gold
G: Gold

| Pin | Dimension | | | | Pitch |
|-----------------|-----------------|--------------------|-------|-------|--------|
| | A | B | C | D | |
| 08/04 | 23.52 | 17.78 | 13.92 | 7.62 | 2.54mm |
| 10/05 | 26.06 | 20.32 | 16.46 | 10.16 | |
| 12/06 | 28.60 | 22.86 | 19.00 | 12.70 | |
| 16/08 | 33.68 | 27.94 | 24.08 | 17.78 | |
| 9001-38161CxxxA | | ab | a- | 16 | |
| 9001-38221CxxxA | | ab | a- | 22 | |
| 9001-38241CxxxA | | ab | a- | 24 | |
| 9001-38151CxxxA | | ab | a- | 25 | |
| 9001-38321CxxxA | | ab | ab | 32 | |
| 9001-38441CxxxA | | ab | ab | 44 | |
| 9001-38481CxxxA | | ab | ab | 48 | |
| 9001-38501CxxxA | | ab | ab | 50 | |
| P/N | Contact Arrange | Rows with Contacts | Pin | Pitch | |

| | | | | | |
|-------------|------------|--------------|--------------------|--|--|
| Tolerances | Dwg. No. | 9001D38001 | Title: | | 深圳市格林柏电子技术开发有限公司 P/N: 9001-38xx1CxxxA SHEET 1/1 Ver.No. R4 |
| x = ±0.5 | Projection | | 9001 Series | | |
| .x = ±0.25 | Unit | mm | DIN41612 Half | | |
| .xx = ±0.15 | Drawn By | dyq 01/04'19 | Q,1/3Q Type Female | | |

X-ON Electronics

Largest Supplier of Electrical and Electronic Components

Click to view similar products for [Board to Board & Mezzanine Connectors](#) category:

Click to view products by [WingTAT](#) manufacturer:

Other Similar products are found below :

[589158040000018](#) [MDF7C-18P-2.54DSA\(55\)](#) [FCN-268F036-G/BD](#) [FCN-268M012-G/0D](#) [FCN-268M024-G/1D](#) [MIS-048-01-F-D-DP-K](#)
[832-10-034-10-001000](#) [FX4C-80S-1.27DSA](#) [93696-330](#) [224393](#) [FCN-235D050-G/C](#) [210-93-314-41-105000](#) [MDF7-40DP-2.54DSA\(55\)](#)
[55323-1519](#) [069159702701000](#) [101A10019X](#) [105061100000861+](#) [75140-7012](#) [87471-650](#) [1744382-4](#) [063209](#) [10124054-515LF](#) [68685-603](#)
[8-1616154-3](#) [541371078](#) [IL-WX-10PB-HF-B-E1000E](#) [FX23-40P-0.5SV15B](#) [FCN-214J100-G/0](#) [354184](#) [P50-028-DDS-TG](#) [53309-2471](#)
[54546-2071](#) [1586617-1](#) [504248-1210](#) [504248-2010](#) [1-1437355-2](#) [9159005551906](#) [NDS100-004-BF](#) [93696-730LF](#) [91922-31141LF](#) [505274-](#)
[3440](#) [501493-2410](#) [504208-3410](#) [505006-0811](#) [505274-2040](#) [202436-1600](#) [202477-0414](#) [71660-7580](#) [73420-5192](#) [360-10-107-00-001000](#)