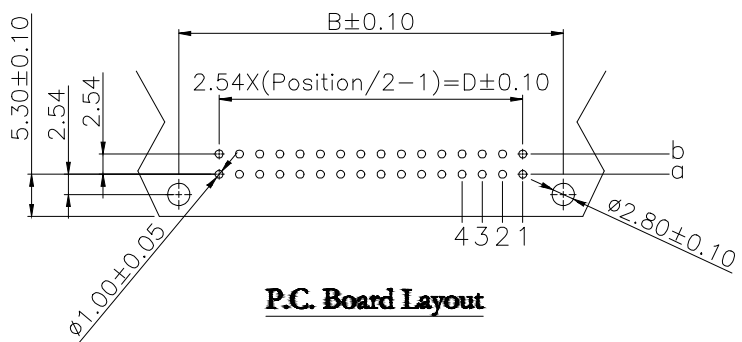
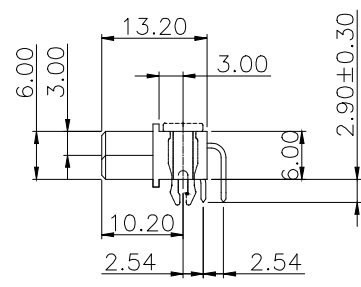
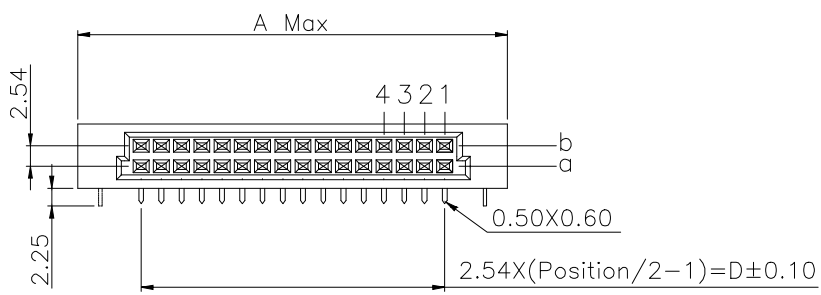
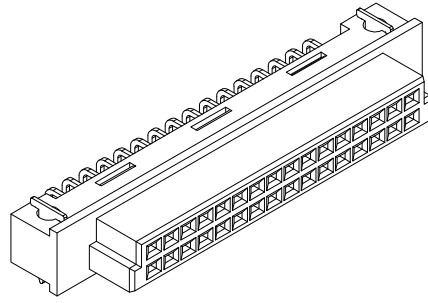
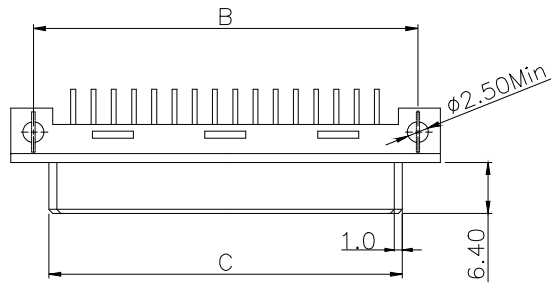


REV.	SPECIFICATION	ECN NO.	APPD.
R4		BCN190103	

Material and Plating:
Housing: PBT, UL94V-0, Beige .
Contacts: Copper Alloy.
Gold Plated on Contact Area and 80u" Min Tin or Gold Flash Plated on Solder Tail over Nickel 50u" Min .
Lock: Phosphor bronze.
Electrical Characteristics:
Current Rating: 2 AMP.
Dielectric Withstanding Voltage: AC1000V For 1 minute.
Insulator Resistance: 1000MΩ min. at DC 500V.
Contact Resistance: 20mΩ max. at DC 100mA.
Operating Temperature: -55°C ~+125°C .
***RoHS Compliant**



P.C. Board Layout

9001- 3 8 xx 1 C xx x A
Series ——— **A: Tray Package**
3: 2.54mm ——— **Blank: W/O Lock**
8: Female ——— **L1: With Lock**
Position ——— **00: G/F**
1: Dip Length ——— **10: 10u"**
 15: 15u"
 30: 30u"
 C: Dip Tin
 Contact Gold
 G: Gold

Pin	Dimension			
	A	B	C	D
08/04	23.52	17.78	13.92	7.62
10/05	26.06	20.32	16.46	10.16
12/06	28.60	22.86	19.00	12.70
16/08	33.68	27.94	24.08	17.78

P/N	Contact Arrange	Rows with Contacts	Pin	Pitch
9001-38161CxxxA		a-	16	2.54mm
9001-38221CxxxA		a-	22	
9001-38241CxxxA		a-	24	
9001-38151CxxxA		a-	25	
9001-38321CxxxA		ab	32	
9001-38441CxxxA		ab	44	
9001-38481CxxxA		ab	48	
9001-38501CxxxA		ab	50	

Tolerances	Dwg. No.	9001D38001	Title:		 深圳市格林柏电子技术开发有限公司 P/N: 9001-38xx1CxxxA SHEET 1/1 Ver.No. R4
x = ±0.5	Projection		9001 Series		
.x = ±0.25	Unit	mm	DIN41612 Half		
.xx = ±0.15	Drawn By	dyq 01/04'19	Q,1/3Q Type Female		

X-ON Electronics

Largest Supplier of Electrical and Electronic Components

Click to view similar products for [Board to Board & Mezzanine Connectors](#) category:

Click to view products by [WingTAT](#) manufacturer:

Other Similar products are found below :

[589158040000018](#) [MDF7C-18P-2.54DSA\(55\)](#) [FCN-268F036-G/BD](#) [FCN-268M012-G/0D](#) [FCN-268M024-G/1D](#) [MIS-048-01-F-D-DP-K](#)
[832-10-034-10-001000](#) [FX4C-80S-1.27DSA](#) [93696-330](#) [224393](#) [FCN-235D050-G/C](#) [210-93-314-41-105000](#) [MDF7-40DP-2.54DSA\(55\)](#)
[55323-1519](#) [069159702701000](#) [101A10019X](#) [105061100000861+](#) [75140-7012](#) [87471-650](#) [1744382-4](#) [063209](#) [10124054-515LF](#) [68685-603](#)
[8-1616154-3](#) [541371078](#) [IL-WX-10PB-HF-B-E1000E](#) [FX23-40P-0.5SV15B](#) [FCN-214J100-G/0](#) [354184](#) [P50-028-DDS-TG](#) [53309-2471](#)
[54546-2071](#) [1586617-1](#) [504248-1210](#) [504248-2010](#) [1-1437355-2](#) [9159005551906](#) [NDS100-004-BF](#) [93696-730LF](#) [91922-31141LF](#) [505274-](#)
[3440](#) [501493-2410](#) [504208-3410](#) [505006-0811](#) [505274-2040](#) [202436-1600](#) [202477-0414](#) [71660-7580](#) [73420-5192](#) [360-10-107-00-001000](#)