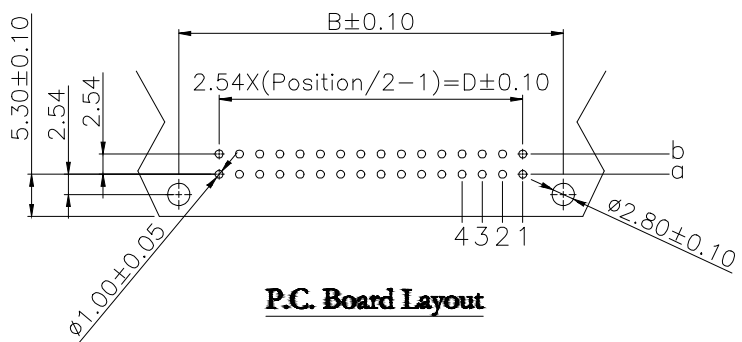
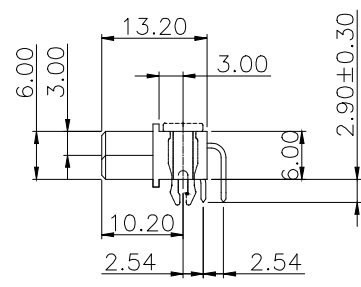
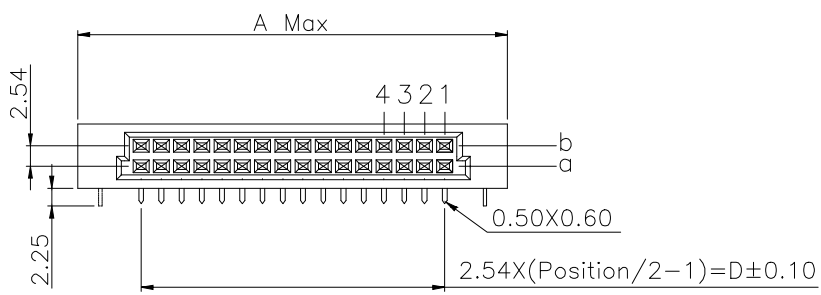
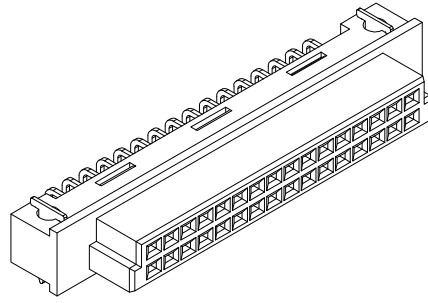
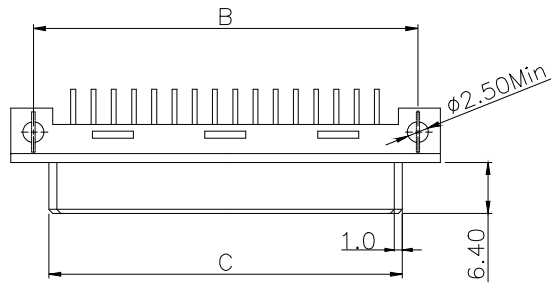


|      |               |           |       |
|------|---------------|-----------|-------|
| REV. | SPECIFICATION | ECN NO.   | APPD. |
| R4   |               | BCN190103 |       |

**Material and Plating:**  
**Housing:** PBT, UL94V-0, Beige .  
**Contacts:** Copper Alloy.  
**Gold Plated on Contact Area and 80u" Min Tin or Gold Flash Plated on Solder Tail over Nickel 50u" Min .**  
**Lock:** Phosphor bronze.  
**Electrical Characteristics:**  
**Current Rating:** 2 AMP.  
**Dielectric Withstanding Voltage:** AC1000V For 1 minute.  
**Insulator Resistance:** 1000MΩ min. at DC 500V.  
**Contact Resistance:** 20mΩ max. at DC 100mA.  
**Operating Temperature:** -55°C ~+125°C .  
**\*RoHS Compliant**



**P.C. Board Layout**

**9001- 3 8 xx 1 C xx x A**  
**Series** ——— **A: Tray Package**  
**3: 2.54mm** ——— **Blank: W/O Lock**  
**8: Female** ——— **L1: With Lock**  
**Position** ——— **00: G/F**  
**1: Dip Length** ——— **10: 10u"**  
                                   **15: 15u"**  
                                   **30: 30u"**  
                                   **C: Dip Tin**  
                                   **Contact Gold**  
                                   **G: Gold**

| Pin   | Dimension |       |       |       |
|-------|-----------|-------|-------|-------|
|       | A         | B     | C     | D     |
| 08/04 | 23.52     | 17.78 | 13.92 | 7.62  |
| 10/05 | 26.06     | 20.32 | 16.46 | 10.16 |
| 12/06 | 28.60     | 22.86 | 19.00 | 12.70 |
| 16/08 | 33.68     | 27.94 | 24.08 | 17.78 |

| P/N             | Contact Arrange | Rows with Contacts | Pin | Pitch  |
|-----------------|-----------------|--------------------|-----|--------|
| 9001-38161CxxxA |                 | a-                 | 16  | 2.54mm |
| 9001-38221CxxxA |                 | a-                 | 22  |        |
| 9001-38241CxxxA |                 | a-                 | 24  |        |
| 9001-38151CxxxA |                 | a-                 | 25  |        |
| 9001-38321CxxxA |                 | ab                 | 32  |        |
| 9001-38441CxxxA |                 | ab                 | 44  |        |
| 9001-38481CxxxA |                 | ab                 | 48  |        |
| 9001-38501CxxxA |                 | ab                 | 50  |        |

|             |            |              |                                     |     |  |
|-------------|------------|--------------|-------------------------------------|-----|--|
| Tolerances  | Dwg. No.   | 9001D38001   | Title:                              |     | <br>深圳市格林柏电子技术开发有限公司<br>P/N: 9001-38xx1CxxxA<br>SHEET 1/1 Ver.No. R4 |
| x = ±0.5    | Projection |              | 9001 Series                         |     |  |
| .x = ±0.25  | Unit       | mm           | Scale                               | 1:1 |  |
| .xx = ±0.15 | Drawn By   | dyq 01/04'19 | DIN41612 Half<br>Q,1/3Q Type Female |     |  |

## X-ON Electronics

Largest Supplier of Electrical and Electronic Components

*Click to view similar products for [Board to Board & Mezzanine Connectors](#) category:*

*Click to view products by [WingTAT](#) manufacturer:*

Other Similar products are found below :

[589158040000018](#) [MDF7C-18P-2.54DSA\(55\)](#) [FCN-268F036-G/BD](#) [FCN-268M012-G/0D](#) [FCN-268M024-G/1D](#) [MIS-048-01-F-D-DP-K](#)  
[832-10-034-10-001000](#) [FX4C-80S-1.27DSA](#) [93696-330](#) [224393](#) [FCN-235D050-G/C](#) [210-93-314-41-105000](#) [MDF7-40DP-2.54DSA\(55\)](#)  
[55323-1519](#) [069159702701000](#) [101A10019X](#) [105061100000861+](#) [75140-7012](#) [87471-650](#) [1744382-4](#) [063209](#) [10124054-515LF](#) [68685-603](#)  
[8-1616154-3](#) [541371078](#) [IL-WX-10PB-HF-B-E1000E](#) [FX23-40P-0.5SV15B](#) [FCN-214J100-G/0](#) [354184](#) [P50-028-DDS-TG](#) [53309-2471](#)  
[54546-2071](#) [1586617-1](#) [504248-1210](#) [504248-2010](#) [1-1437355-2](#) [9159005551906](#) [NDS100-004-BF](#) [93696-730LF](#) [91922-31141LF](#) [505274-](#)  
[3440](#) [501493-2410](#) [504208-3410](#) [505006-0811](#) [505274-2040](#) [202436-1600](#) [202477-0414](#) [71660-7580](#) [73420-5192](#) [360-10-107-00-001000](#)