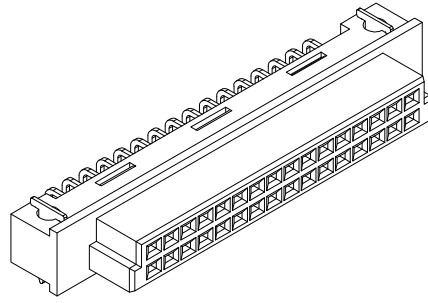
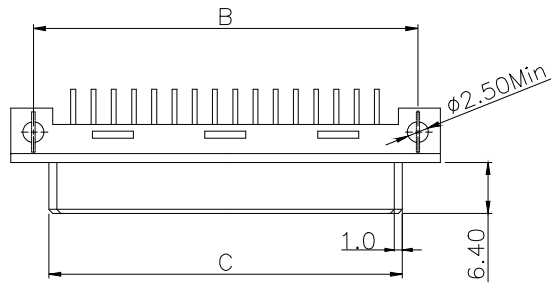


REV.	SPECIFICATION	ECN NO.	APPD.
R4		BCN190103	

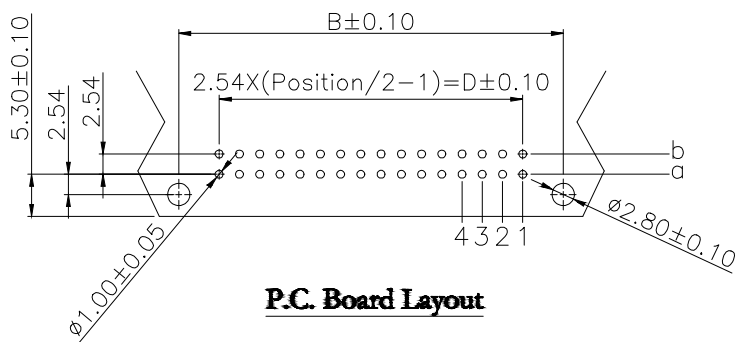
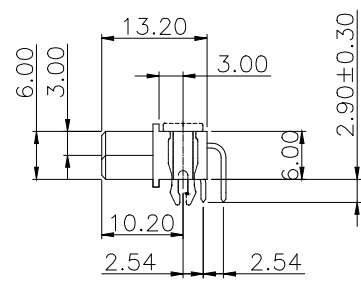
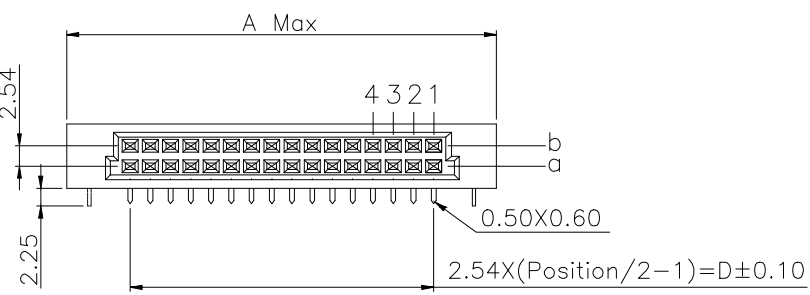
Material and Plating:
Housing: PBT, UL94V-0, Beige .
Contacts: Copper Alloy.
Gold Plated on Contact Area and 80u" Min Tin or Gold Flash Plated on Solder Tail over Nickel 50u" Min .
Lock: Phosphor bronze.

Electrical Characteristics:
Current Rating: 2 AMP.
Dielectric Withstanding Voltage: AC1000V For 1 minute.
Insulator Resistance: 1000MΩ min. at DC 500V.
Contact Resistance: 20mΩ max. at DC 100mA.
Operating Temperature: -55°C ~+125°C .

***RoHS Compliant**



Pin	Dimension			
	A	B	C	D
32/16	54.00	48.26	44.40	38.10
44/22	69.24	63.50	59.64	53.34
48/24	74.32	68.58	64.72	58.42
50/25	76.86	71.12	67.26	60.96



P.C. Board Layout

9001- 3 8 xx 1 C xx x A

Series: 9001- 3 8 xx 1 C xx x A
3: 2.54mm
8: Female
Position
1: Dip Length

A: Tray Package
Blank: W/O Lock
L1: With Lock
00: G/F
10: 10u"
15: 15u"
30: 30u"

C: Dip Tin
Contact Gold
G: Gold

9001-38161CxxxA		a-	16	2.54mm	
9001-38221CxxxA		a-	22		
9001-38241CxxxA		a-	24		
9001-38151CxxxA		a-	25		
9001-38321CxxxA		ab	32		
9001-38441CxxxA		ab	44		
9001-38481CxxxA		ab	48		
9001-38501CxxxA		ab	50		
P/N	Contact Arrange	Rows with Contacts	Pin		Pitch

Tolerances	Dwg. No.	9001D38001
x = ±0.5	Projection	
.x = ±0.25	Unit	mm
.xx = ±0.15	Scale	1:1
	Drawn By	dyq 01/04'19

Title:
 9001 Series
 DIN41612 Half
 Q,1/3Q Type Female

WINGTAT [®]			
深圳市格林柏电子技术开发有限公司			
P/N: 9001-38xx1CxxxA			
SHEET	1/1	Ver.No.	R4

X-ON Electronics

Largest Supplier of Electrical and Electronic Components

Click to view similar products for [Board to Board & Mezzanine Connectors](#) category:

Click to view products by [WingTAT](#) manufacturer:

Other Similar products are found below :

[589158040000018](#) [MDF7C-18P-2.54DSA\(55\)](#) [FCN-268F036-G/BD](#) [FCN-268M012-G/0D](#) [FCN-268M024-G/1D](#) [MIS-048-01-F-D-DP-K](#)
[832-10-034-10-001000](#) [FX4C-80S-1.27DSA](#) [93696-330](#) [224393](#) [FCN-235D050-G/C](#) [210-93-314-41-105000](#) [MDF7-40DP-2.54DSA\(55\)](#)
[55323-1519](#) [069159702701000](#) [101A10019X](#) [105061100000861+](#) [75140-7012](#) [87471-650](#) [1744382-4](#) [063209](#) [10124054-515LF](#) [68685-603](#)
[8-1616154-3](#) [541371078](#) [IL-WX-10PB-HF-B-E1000E](#) [FX23-40P-0.5SV15B](#) [FCN-214J100-G/0](#) [354184](#) [P50-028-DDS-TG](#) [53309-2471](#)
[54546-2071](#) [1586617-1](#) [504248-1210](#) [504248-2010](#) [1-1437355-2](#) [9159005551906](#) [NDS100-004-BF](#) [93696-730LF](#) [91922-31141LF](#) [505274-](#)
[3440](#) [501493-2410](#) [504208-3410](#) [505006-0811](#) [505274-2040](#) [202436-1600](#) [202477-0414](#) [71660-7580](#) [73420-5192](#) [360-10-107-00-001000](#)