

Contact Quantity	Dimensions				
	A	B	C	D	E
10	0.96 [24.4]	0.85 [21.6]	0.612 [15.54]	1.30 [33.0]	1.50 [38.1]
14	1.16 [29.5]	1.05 [26.7]	0.812 [20.62]	1.50 [38.1]	1.70 [43.2]
16	1.26 [32.0]	1.15 [29.2]	0.912 [23.16]	1.60 [40.6]	1.80 [45.7]
20	1.46 [37.1]	1.35 [34.3]	1.112 [28.24]	1.80 [45.7]	2.00 [50.8]
26	1.76 [44.7]	1.65 [41.9]	1.412 [35.86]	2.10 [53.3]	2.30 [58.4]
34	2.16 [54.9]	2.05 [52.1]	1.812 [46.02]	2.50 [63.5]	2.70 [68.6]
40	2.46 [62.5]	2.35 [59.7]	2.112 [53.64]	2.80 [71.1]	3.00 [76.2]
50	2.96 [75.2]	2.85 [72.4]	2.612 [66.34]	3.30 [83.8]	3.50 [88.9]
60	3.46 [87.9]	3.35 [85.1]	3.112 [79.04]	3.80 [96.5]	4.00 [101.6]
64	3.66 [93.0]	3.55 [90.2]	3.312 [84.12]	4.00 [101.6]	4.20 [106.7]

SPECIFICATION
 Current Rating:3A
 Dielectric Withstanding Voltage:1000V AC/Minute
 Contact Resistance:20 Milliohms Max
 Insulation Resistance:5000 Megaohms Min. At 500V DC
 Operation Temperature:-55°C~+125°C
 Insertion Force:0.4Kgf Max. Per Pair
 Withdrawal Force:0.25Kgf Max. Per Pair

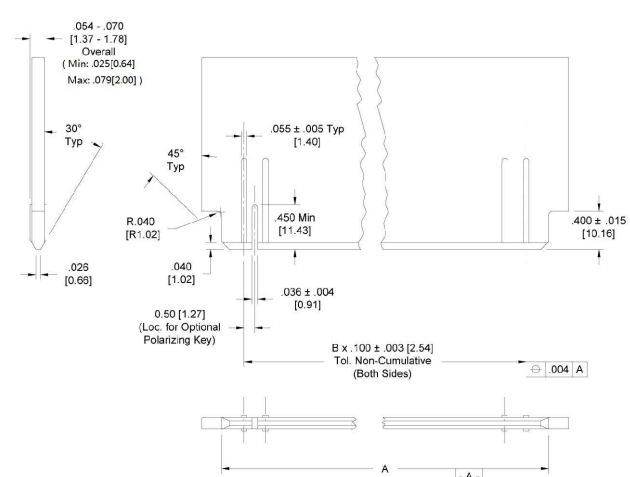
Insulator:PBT+G. F. (UL94V-0)
 Contact:Brass or Phosphor Bronze
 Gold Plated On Contact Area
 Tin Plated On Solder Tails, Over Nickel

RoHS Compliant

Order Information

E C xx P 03 BK - 0002

E=2.54mm FEMALE EDGE SLOT
 C=IDC TYPE
 NO. OF PINS:10~64
 P=Phosphor Bronze + PBT
 BK=Black
 GY=Gery
 BU=Blue
 GF=1u" Glod Flash
 03=3u" Glod
 05=5u" Glod
 10=10 u" Glod
 15=15 u" Glod
 A3=3u" All Glod



Recommended PCB Layout

Contact Quantity	Dimension A ± .005	B (multiple ref.)
10	0.595 [15.11]	4
14	0.795 [20.19]	6
16	0.895 [22.73]	7
20	1.095 [27.81]	9
26	1.395 [35.43]	12
34	1.795 [45.59]	16
40	2.095 [53.21]	19
50	2.595 [65.91]	24
60	3.095 [78.61]	29
64	3.295 [83.69]	31

WingTAT®
 深圳市格林柏电子技术开发有限公司

X. ± 0.30	APPD:	PART NO: ECxxP03BK-0002	
.X ± 0.20	CHKD: HZF		
.XX ± 0.10	DR:		
.XXX ± 0.05			
X° ± 1°		DWG NO:	
.X° ± 0.5°		SHEET:10F1	
UNITS: mm		SCALE: 1:1	REV: A

REV	ECN NO	DESCRIPTION	DATE
A			

X-ON Electronics

Largest Supplier of Electrical and Electronic Components

Click to view similar products for [Standard Card Edge Connectors](#) category:

Click to view products by [WingTAT](#) manufacturer:

Other Similar products are found below :

[CR7E-30DB-3.96E\(72\)](#) [6565204-6](#) [1437274-4](#) [1-582587-1](#) [284-0102-12100](#) [286-0052-12101A](#) [306022901000000](#) [A6D22DS29C2](#) [1926088-2](#) [245-062-520-350](#) [287-0032-12101](#) [306-028-525-102](#) [307-072-526-202](#) [330-030-500-278](#) [345-060-559-303](#) [534671-1](#) [341-240-317](#) [345-044-500-300](#) [346-240-318](#) [C7D10DS29C1M133](#) [395-100-524-300](#) [09-07-2032](#) [10035388-802LF](#) [10115859-011LF](#) [10122859-009LF](#) [101269333204245CLF](#) [530555-1](#) [66925-516LF](#) [5145409-2](#) [73726-0005](#) [66308-1](#) [EBC05DRXN](#) [KSLX-62-BR](#) [CE100F26-7-C](#) [CE100F28-3-D](#) [CE100F28-4-D](#) [CE156F22-9-C](#) [CT100F24-3-D](#) [CT100F24-6-C](#) [MLSS100-12-C](#) [SCC100F-11-C](#) [SCC100F-20-C](#) [SCC100F-24-C](#) [SCC100F-25-C](#) [3-530656](#) [2512250177](#) [285-0112-12300](#) [346-068-556-300](#) [284-0492-11000](#) [287-0032-12301](#)