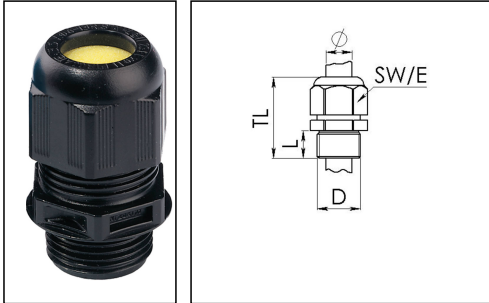


ESKE/1-e 63

Ex-cable gland, polyamide with short thread



Product illustrations are exemplary and may differ from the chosen product. Further variants and individual customization, we will gladly provide you on request.



Material cable gland	Polyamide
Material sealing gasket	EPDM
Temp. range min	-40 °C
Temp. range max	75 °C
Protection class	IP 66 / IP 68, 5 bar 30 min
Marking	II 2 G Ex e IIC Gb, II 2 D Ex tb IIIC Db IP68
Approval	PTB 13 ATEX 1015 X, IECEx PTB 13.0034X
Glow wire test	750 °C
Thread type	M
Connection thread size D	63
Lead	1,5
Length screw-in thread L	15 mm
Cable diameter min	34 mm
Cable diameter max	48 mm
Key width SW	68 mm
Collar diameter (E)	75 mm
Total length TL	64 mm - 78 mm
Install. torques fitting	17 N/m
Install. torques cap nut	16 N/m
Type of cable anchorage	A
Impact category	5
Product Color	RAL 9005
Order no. RAL 9005	10103370
Type	ESKE/1-e 63
Packing unit	1

24.07.2015



X-ON Electronics

Largest Supplier of Electrical and Electronic Components

Click to view similar products for [Wiska](#) manufacturer:

Other Similar products are found below :

[COMBI 1010/5/W](#) [COMBI 1210/5](#) [COMBI 1210/5/S](#) [RE0100](#) [RE0400](#) [10103370](#) [COMBI 1010/5/S](#) [COMBI 108/5/S](#) [COMBI 607/5/W](#)
[EMMU 25](#) [10066123](#) [10066414](#) [10066415](#) [COMBI 308/5/S](#) [COMBI 308/5](#) [EMUG 25 BLK](#) [EMUG 32 BLK](#) [10103365](#) [10066124](#) [EMMU](#)
[20](#) [10066413](#) [10066411](#) [10066121](#) [10100824](#) [10066120](#)